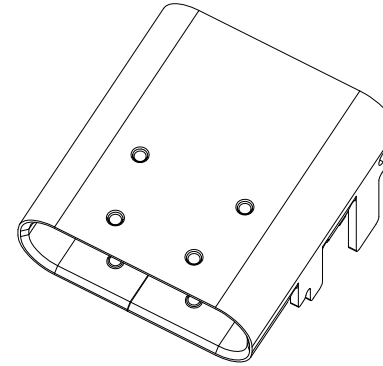
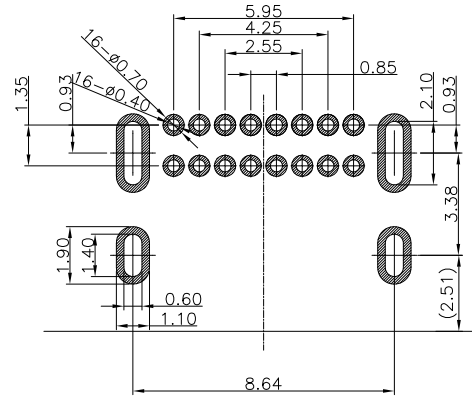
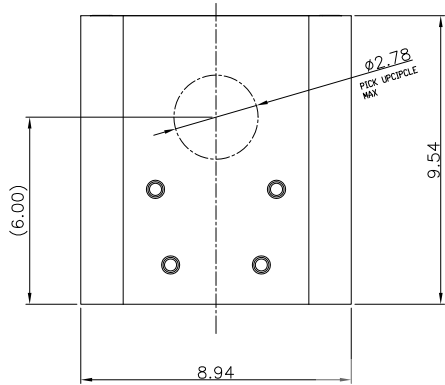
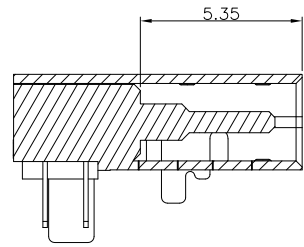
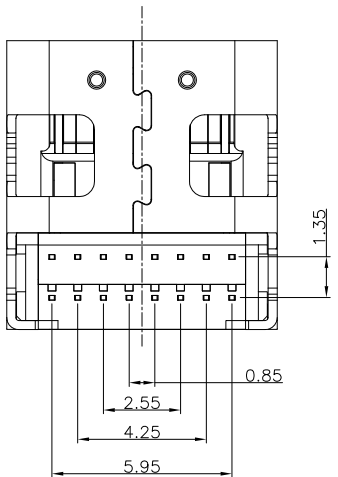
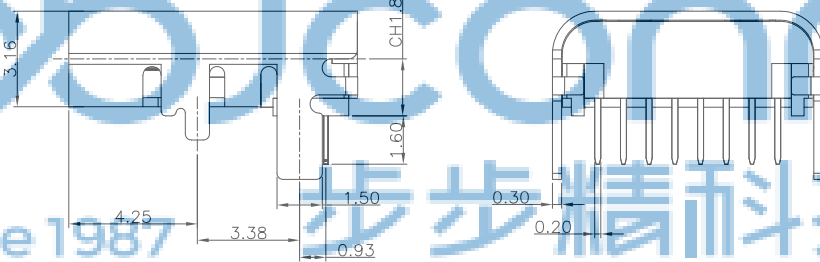
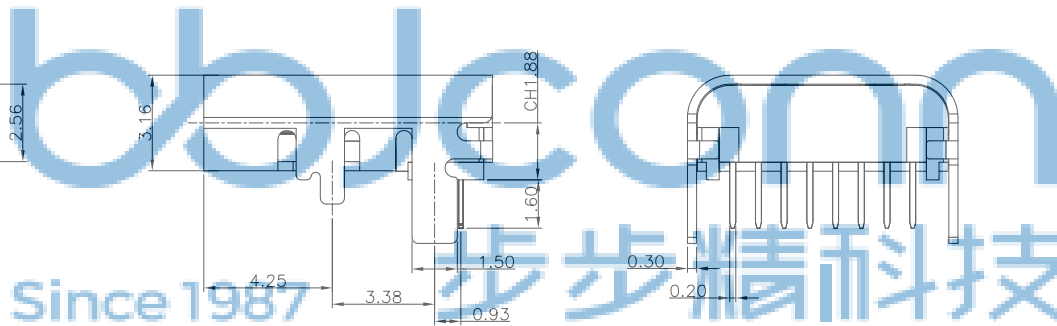
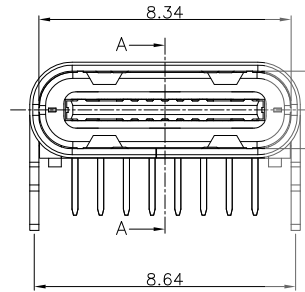


REV.	DESCRIPTION	NAME	DATE
A	NEWS ISSUE		



RECOMMEND P.C.B LAYOUT (COMPONENT SIDE)
TOLERANCE FOR PCB LAYOUT IS ± 0.05
KEEP OUT AREA

- NOTES:
- MATERIAL:
 - MOLDING: LCP UL94 V-0
 - CONTACT: COPPER ALLOY.
 - GOLD PLATED MIN ON CONTACT AREA, 100u''
 - MIN TIN (LEAD FREE) ON SOLDER AREA,
 - SHELL: SUS304-H, T=0.30 \pm 0.03mm
 - 50u'' NICKEL PLATING OVER ALL.
 - MIDDLE SHILD: SUS304-H, T=0.20 \pm 0.03mm
 - MECHANICAL:
 - INSERTION: 5 \sim 20N.
 - EXTRACTION: 8 \sim 20N AFTER TEST.
 - DURABILITY: 10000 CYCLES
 - ELECTRICAL:
 - CURRENT: 5A FOR VBUS;
 - 1.25A FOR GND PIN.
 - 0.25A FOR OTHER.
 - VOLTAGE: 20 V MAX
 - WITHSTANDING VOLTAGE: 100V AC R. M. S.
 - CONTACT RESISTANCE: 40m Ω MAX.
 - INSULATION RESISTANCE: 100M Ω MIN.
 - ENVIRONMENTAL
 - TEMPERATURE RANGE -35 $^{\circ}$ C \sim +85 $^{\circ}$ C



SECTION A-A

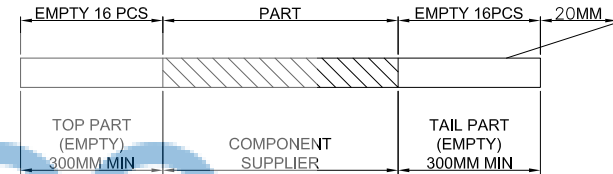
TOLERANCE UNSPECIFIED		深圳市步步精科技有限公司 TITLE: TYPE-C 16P 母座 L=9.54 CH=1.88 板上四脚插 双排DIP 端子脚长1.60	
.0	± 0.35		
.00	± 0.25	DRAWN/ DATE 设计 TSP SIZE:A4 UNIT:MM. PART. NO:UC.01.11-1W-0012	
.000	± 0.15	CHECKED/ DATE 审核 LYX SCALE: 1:1 PROJECTION	
X.°	$\pm 2.00^{\circ}$	APPROVED/ DATE 核准 LJP DWG. PATH 0627-1 REV.: 版本	
CUSTOMER DRAWING		SHEET: 页码	

出料方向
PULL OUT DIRECTEON

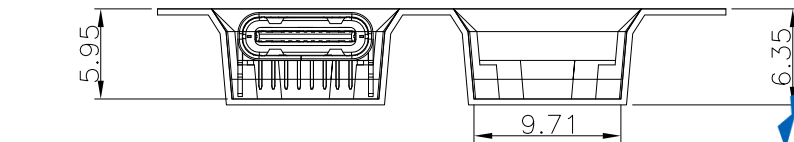
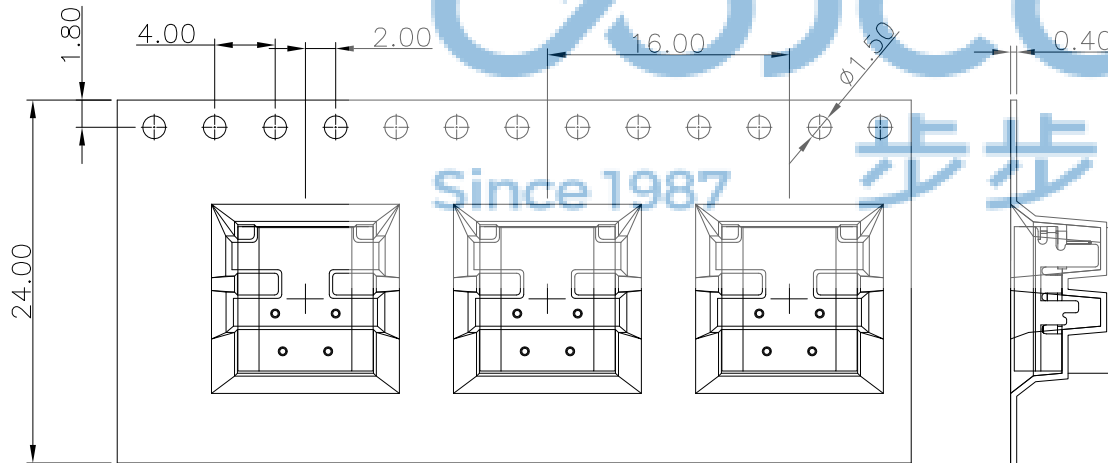
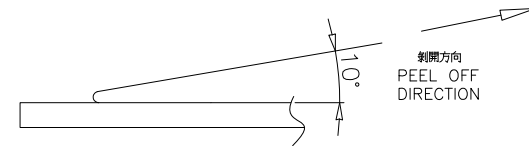
REV.	DESCRIPTION	NAME	DATE
A	NEWS ISSUE		

NOTES

- 帶子引導長度
LEAD TAPE LENGTH
出料方向
PULL OUT DIRECTEON



- 上帶 剝力力為 : 0.1~1.3N(10.2gf~130gf)
PEELING OFF FORCE OF TOP TAPE: 0.1~1.3N(10.2gf~130gf)
出貨運輸過程中一定注意:
THIS REQUIREMENT SHOULD BE APPLIED AT SHIPMENT:
卷帶在運輸過程中不能散開
PEELING OFF SHOULD NOT BE ALLOWED DURING TRANSPORTATION



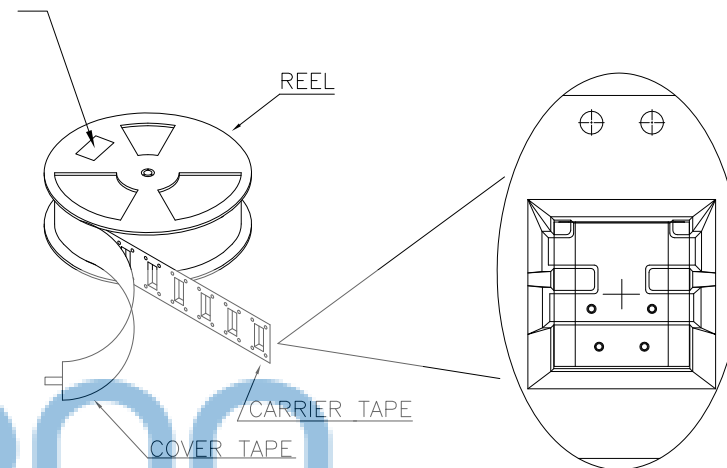
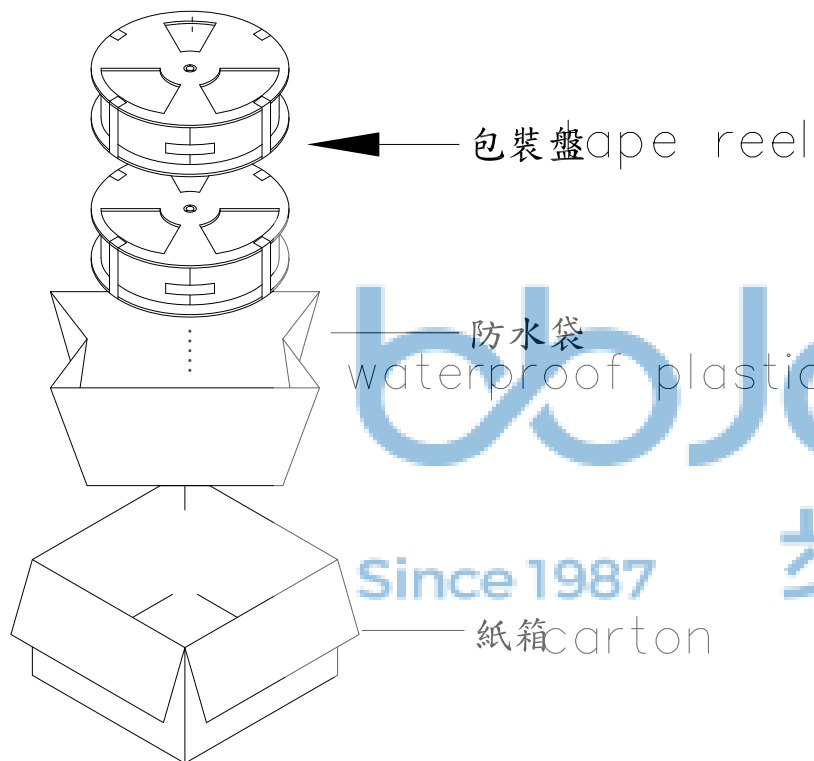
載帶卷料方向



TOLERANCE UNSPECIFIED		深圳市步步精科技有限公司 TITLE: TYPE-C 16P 母座 L=9.54 CH=1.88 板上四脚插 双排DIP 端子脚长1.60	
.0	±0.35	DRAWN/ DATE	设计 TSP
.00	±0.25	CHECKED/ DATE	审核 LYX
.000	±0.15	APPROVED/ DATE	核准 LJP
X. °	±2.00°	SIZE: A4	UNIT: MM.
CUSTOMER DRAWING		PART. NO: UC.01.11-1W-0012	SCALE: 1:1
		PROJECTION	REV.: 版本
		DWG. PATH	SHEET: 页码
			0627-1

REV.	DESCRIPTION	NAME	DATE
A	NEWS ISSUE		

at small positioning hole of the carrier tape side).
標簽黏貼處 (朝捲裝包材的小定位孔一側)
Location of label sticking (label)



NOTE:

1. 每捲包裝數量及每箱裝箱數量如左下表格.
2. 以上膠帶覆蓋下包裝帶經包裝機冷封包裝
3. 每個紙箱放2個珍珠棉
4. 將裝滿產品的卷盤放入紙箱并以膠帶封口



包裝容量 (PACKING CAPACITY)			重量 WEIGHT (Kg)		
PCS/REEL	REELS/CARTON	PCS/CARTON	N.W./PCS	N.W./BOX	G.W./BOX
700	10	7000			

TOLERANCE UNSPECIFIED		深圳市步步精科技有限公司 TITLE: TYPE-C 16P 母座 L=9.54 CH=1.88 板上四脚插 双排DIP 端子脚长1.60			
.0	±0.35	SIZE:A4	UNIT:MM.	PART. NO:UC.01.11-1W-0012	
.00	±0.25	CHECKED/ DATE	SCALE: 1:1	PROJECTION	REV.: 版本
.000	±0.15	APPROVED/ DATE	DWG. PATH	0627-1	SHEET: 页码
X. °	±2.00°				
CUSTOMER DRAWING					