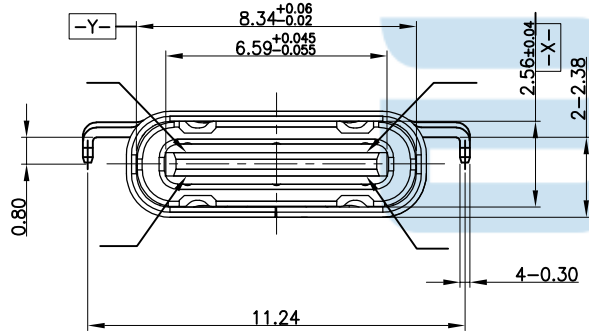
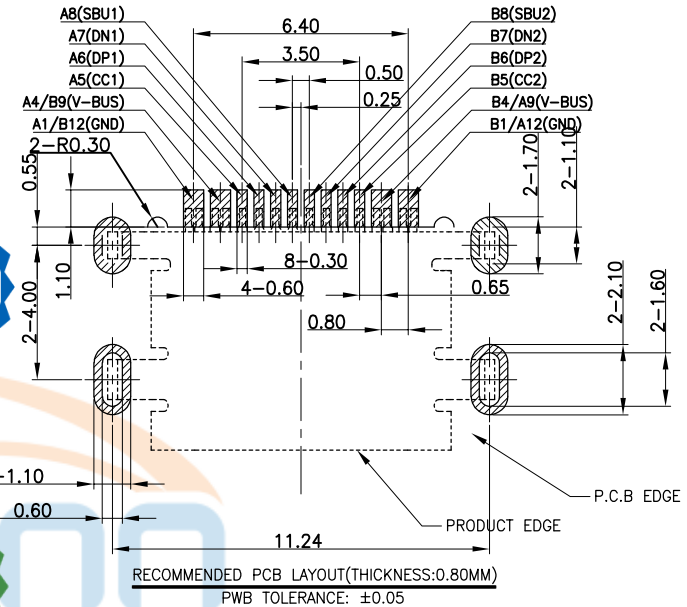
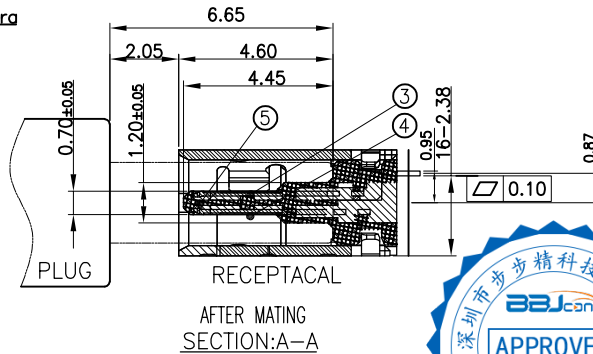
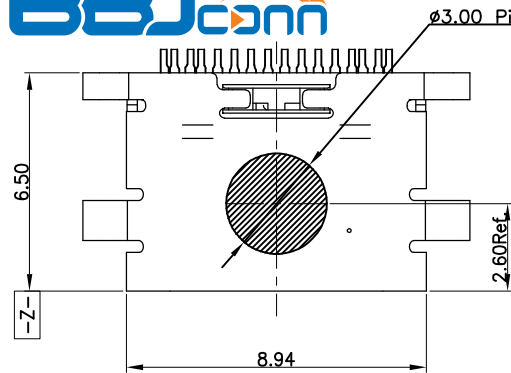




ø3.00 Pick&Place Area

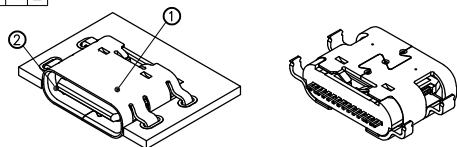
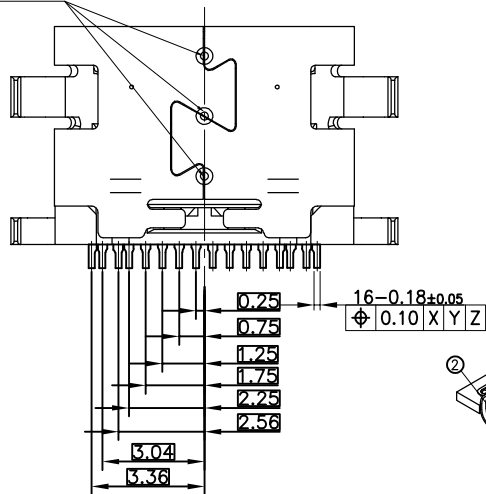


SPECIFICATION:

- 1.ELECTRICAL CHARACTERISTICS:
 - 1.1 CURRENT RATING: 1.5A/Pin MAX(A4,A9,B4,B9)
1.25A/Pin MAX(A1,A12,B1,B12),0.25A(OTHER PIN)
 - 1.2 CONTACT RESISTANCE: 40 MILLIONHM MAX.
 - 1.3 DIELECTRIC WITHSTANDING VOLTAGE: 100 VAC r.m.s
 - 1.4 INSULATION RESISTNACE: 100 MEGOHMS MIN.
- 2.MECHANICAL CHARACTERISTICS
 - 2.1 INSERTION FORCE: 5~20N
 - 2.2 EXTRACTION FORCE: Initial:8~20N;Durability:6~20N(1000cycles);
 - 2.3 DURABILITY:10,000CYCLES
- 3.ENVIRONMENTAL CHARACTERISTICS
 - 3.1 TEMPERATURE RANGE: -40 °C ~ 85 °C
 - 3.2. IR REFLOW:
 - THE PEAK TEMPERATURE ON THE BOARD SHALL BE MAINTAINED FOR 10 SECONDS AT 260°C.



SPOT WELDING (16X)



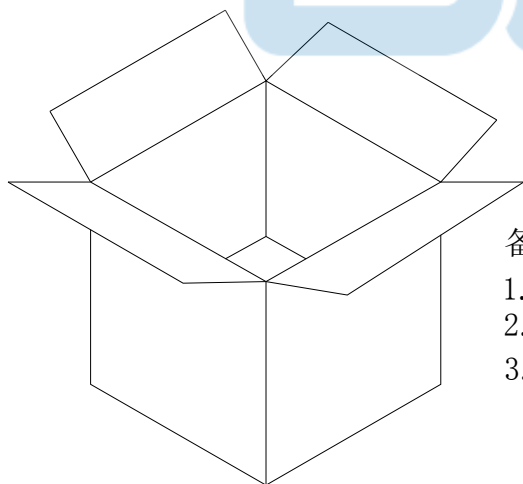
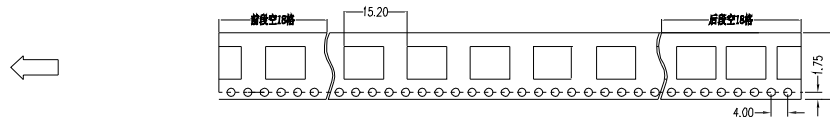
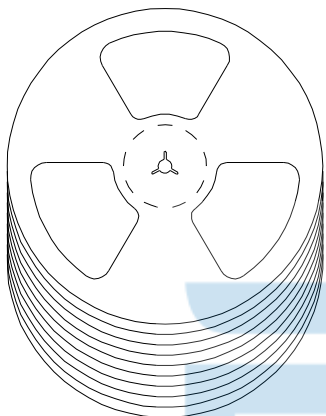
| | | | |
|---|-----------|-----------------|--|
| ⑤ | MID PLATE | STAINLESS STEEL | NO SURFACE TREATMENT |
| ④ | CONTACT B | COPPER ALLOY | Ni 50u" MIN. UNDER PLATED OVER ALL. Au PLATED ON THE FUNCTIONAL AREA OF CONTACT. (GOLD PLATING THICKNESS FOLLOW THE P/N) PLATING SPECIFICATIONS OF THE SOLDER AREA FOLLOW THE P/N |
| ③ | CONTACT A | COPPER ALLOY | |
| ② | HOUSING | NYLON 46 | COLOR: BLACK |
| ① | SHELL | STAINLESS STEEL | Ni 30u" MIN. UNDER PLATED OVER ALL. |

| | |
|-----------------------|-----------------|
| TOLERANCE UNSPECIFIED | |
| X | :±0.5 X :±2' |
| X.X | :±0.30 X.X :±1' |
| X.XX | :±0.20 |
| X.XXX | :±0.10 |
| DRAWN/ DATE | 设计 HMY |
| CHECKED/ DATE | 审核 LYX |
| APPROVED/ DATE | 核准 LJP |

| | | | |
|--|------------|------------|--------------------|
| <h2 style="margin: 0;">深圳市步步精科技有限公司</h2> | | | |
| <p style="margin: 0;">TITLE: TYPE-C 16P 母座 L6.5沉板2.38 CH0.95</p> | | | |
| SIZE:A4 | UNIT:MM. | PART. NO: | 126-221-160006-J2G |
| CHECKED/ DATE | SCALE: 1:1 | PROJECTION | REV.: 版本 |
| APPROVED/ DATE | DWG. PATH | 0395-1 | SHEET: 页码 |



| REV. | DESCRIPTION | NAME | DATE |
|------|-------------|------|------|
| A | NEWS ISSUE | | |



备注:

1. 包装数量: 1500/PCS/卷, 10卷/箱或15卷/箱。
2. 包装袋长度: 每卷前后各空10-20个空格, 中间包装。

3. 材质:

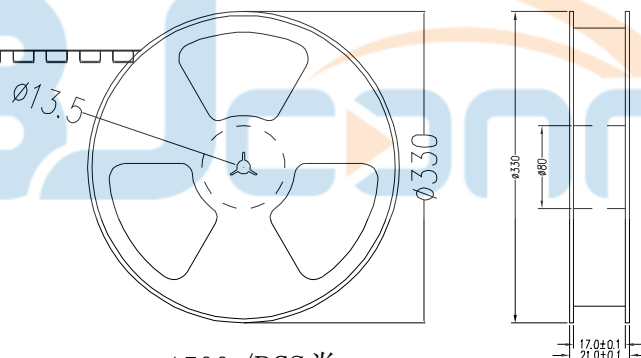
载体: 聚丙烯 (PS), 阻抗 $10^{6-9} \Omega$

上带: 聚乙烯 (PET), 阻抗 $10^{6-11} \Omega$

卷盘: 聚苯乙烯。

纸箱规格: 345*345*23MM

纸箱规格: 345*345*35MM



1500 /PCS卷



深圳市步步精科技有限公司

TITLE: TYPE-C 16P 母座 L6.5沉板2.38 CH0.95

| TOLERANCE UNSPECIFIED | | | | | |
|-----------------------|--------|----------------|-----------|---------------|--------------------|
| .0 | ±0.35 | SIZE: A4 | UNIT: MM. | PART. NO: | 126-221-160006-J2G |
| .00 | ±0.25 | DRAWN/ DATE | 设计 HMY | CHECKED/ DATE | 审核 LYX |
| .000 | ±0.15 | APPROVED/ DATE | 核准 LJP | SCALE: 1:1 | PROJECTION |
| X. ° | ±2.00° | | | DWG. PATH | 0395-1 |
| CUSTOMER DRAWING | | | | | REV.: 版本 |
| | | | | | SHEET: 页码 |