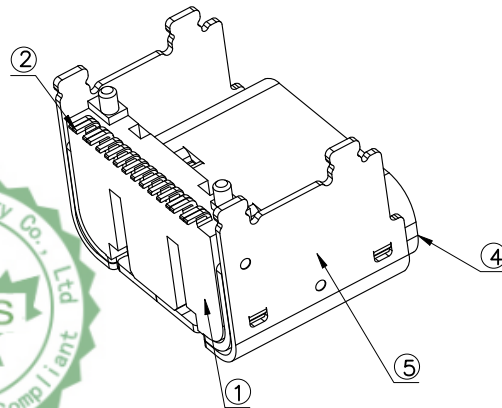
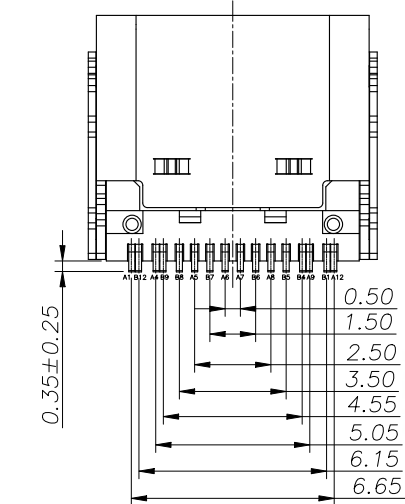
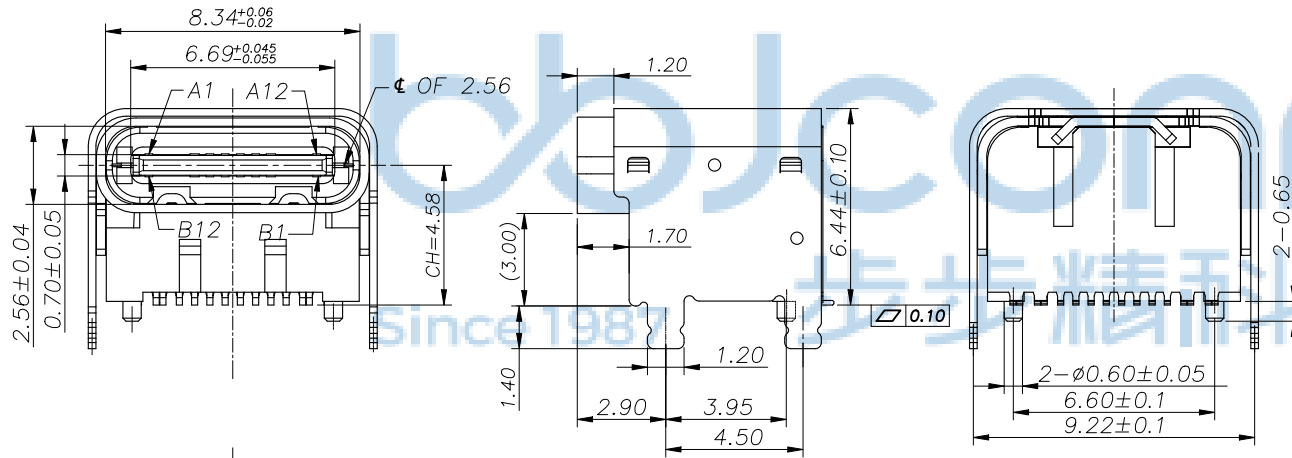
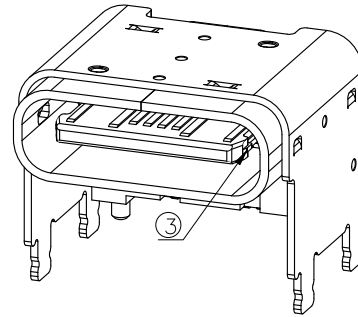
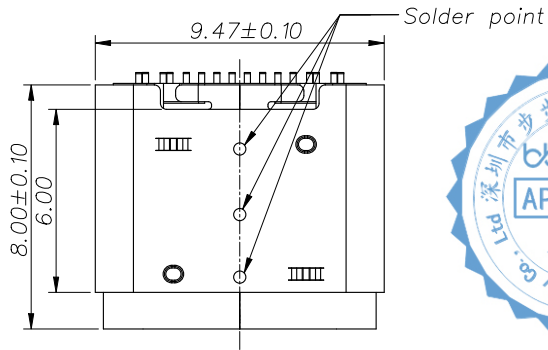


REV	ECN NO	CONTENT	DATE	ENGINEER
A0		INITIAL RELEASE	/	GZY

NOTE:

- MATERIAL SPECIFICATION:
 - HOUSING: HIGH TEMPERATURE RESISTANT PLASTIC, UL94 V-0.
 - CONTACTS: COPPER ALLOY
 - MID PLATE: STAINLESS STEEL
 - INSIDE SHELL: STAINLESS STEEL
 - OUTSIDE SHELL: STAINLESS STEEL
- PLATING SPECIFICATION:
 - CONTACTS:
 - Ni 50u" MIN. UNDER PLATED OVER ALL.
 - Au 3u" PLATED ON THE FUNCTIONAL AREA OF CONTACT.
 - GOLD FLASH PLATING ON SOLDER AREA
 - INSIDE SHELL OR OUTSIDE SHELL:
 - Ni 30u" MIN. UNDER PLATED OVER ALL.
- MECHANICAL PERFORMANCE,
 - INSERTION FORCE: 0.5~2.0kgf.
 - REMOVAL FORCE: 0.8kgf~2.0kgf.
 - DURABILITY: 10000 CYCLES.
- ELECTRICAL PERFORMANCE,
 - CURRENT RATING: 5A
VOLTAGE RATING: 20V
 - INSULATION RESISTANCE: 100MΩ MIN
 - DIELECTRIC WITHSTAND VOLTAGE, AC 100V FOR 1 MINUT-
 - LOW CONTACT RESISTANCE: INITIAL 40mΩ max
AFTER 50mΩ max
- ENVIRONMENTAL PERFORMANCE:
 - OPERATING TEMPERATURE: -30°C~+80°C.
- IR REFLOW:
 - THE PEAK TEMPERATURE ON THE BOARD SHALL BE MAINTAINED FOR 10 SECONDS AT 260°C.



5	OUTER SHELL	SUS304 T=0.25MM	NI 30u"MIN	1PCS
4	INNER SHELL	SUS304 T=0.30MM	NI 30u"MIN	1PCS
3	SHIELDING PLATE	SUS301 T=0.15MM	N/A	1PCS
2	CONTACT	C2680 T=0.15MM	Mating area 3u"Au Solder Tails: G/F Underplate: 50u"Min Ni overall	2SET
1	INSERT MOLDING	LCP UL94V-0	BLACK	1PCS
NO.	DESCRIPTION	MATERIAL	REMARKS	

THIS DOCUMENT IS THE SOLE PROPERTY OF **深圳市步步精科技有限公司**
BBJconn Technology Co., Ltd. CORPORATION AND SHOULD NOT BE USED IN WHOLE PRIOR WRITTEN PERMISSION.

NAME: TYPE-C 16P 母座 板上四脚插 端子SMT L=8.0 垫高3.0 CH=4.58 带柱 无翻边 脚长1.40 编带

APPD: JM_Zheng
CHKD: LYX
DR: GZY

PJ NO: 126-221-160008-V2G
SIZE: A4
FINISH: SEE NOTES
SCALE: N/A

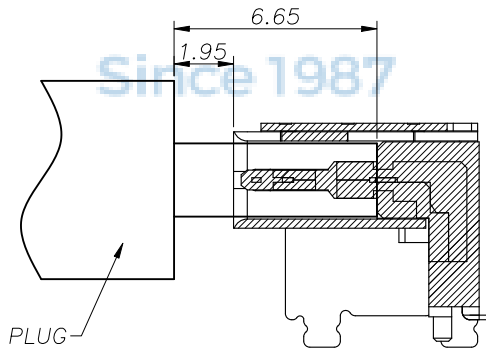
UNIT: mm
REV: A0
MAT'L: SEE NOTES
PAGE: 1/3

REV	ECN NO	CONTENT	DATE	ENGINEER
A0		INITIAL RELEASE	/	GZY

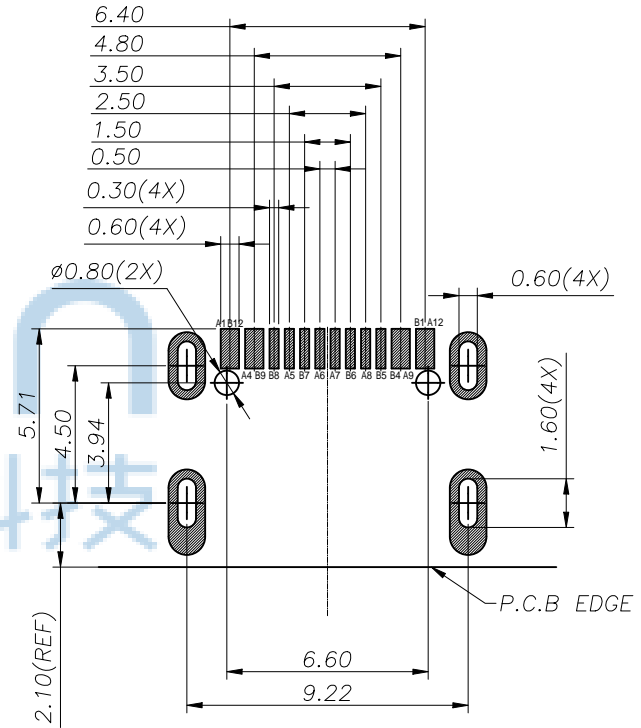


USB TYPE-C PIN ASSIGNMENTS

PIN NUMBER	SIGNAL NAME	PIN NUMBER	SIGNAL NAME
A1	GND	B12	GND
A4	VBUS	B9	VBUS
A5	CC1	B8	SBU2
A6	Dp1	B7	Dn2
A7	Dn1	B6	Dp2
A8	SBU1	B5	CC2
A9	VBUS	B4	VBUS
A12	GND	B1	GND



AFTER MATING
SCALE 1:1

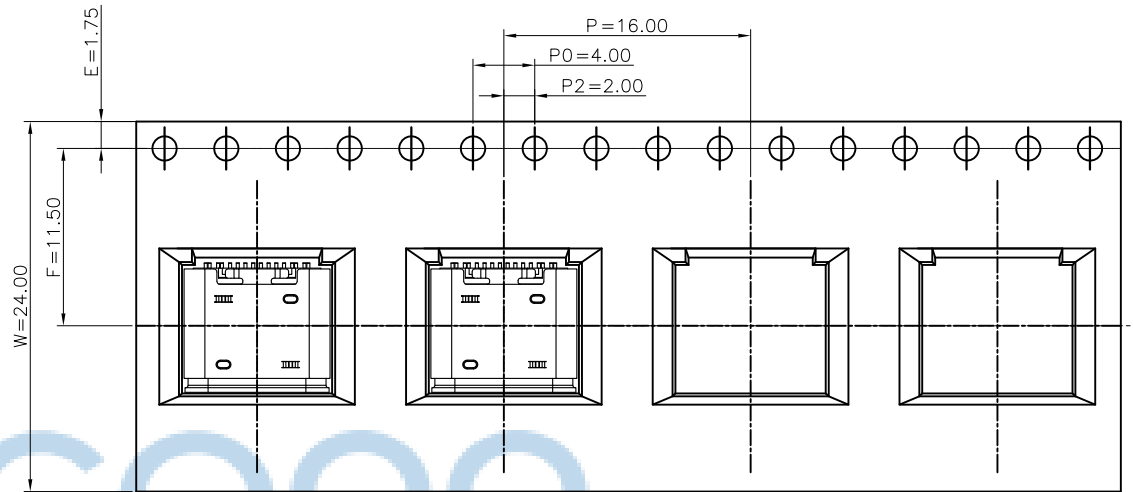
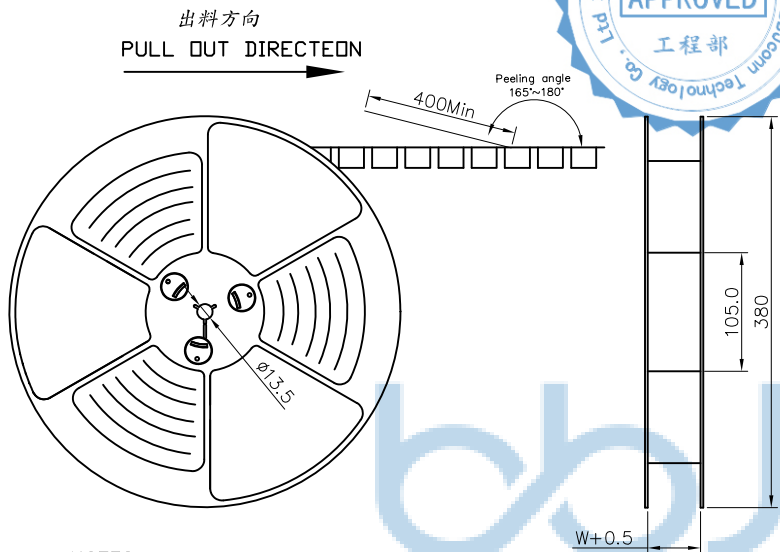


RECOMMEND P.C.B LAYOUT (COMPONENT SIDE)
TOLERANCE FOR PCB LAYOUT IS ± 0.05

THIS DOCUMENT IS THE SOLE PROPERTY OF BBJconn Technology Co.,Ltd. Corporation AND SHOULD NOT BE USED IN WHOLE PRIOR WRITTEN PERMISSION.		深圳市步步精科技有限公司 .X: ±0.38 .X': ±3" .XX: ±0.25 .X': ±2" .XXX: ±0.13 .XX': ±1"		NAME: TYPE-C 16P 母座 板上四脚插 端子SMT L=8.0 垫高3.0 CH=4.58 带柱 无翻边 脚长1.40 编带	
APPD	JM_Zheng	PJ NO: 126-221-160008-V2G SIZE:A4 DRW NO:		FINISH:SEE NOTES MAT'L:SEE NOTES	
CHKD	LYX	SCALE:N/A REV:A0 UNIT:mm PAGE:2/3		DR GZY	
PDWG NO: 0100-2					



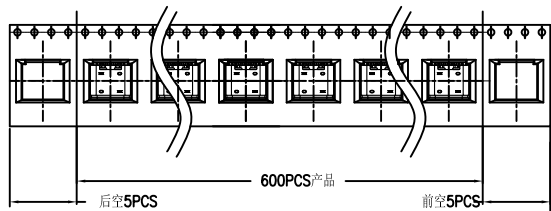
REV	ECN NO	CONTENT	DATE	ENGINEER
A0		INITIAL RELEASE	/	GZY



NOTES

1. 帶子引導長度
LEAD TAPE LENGTH

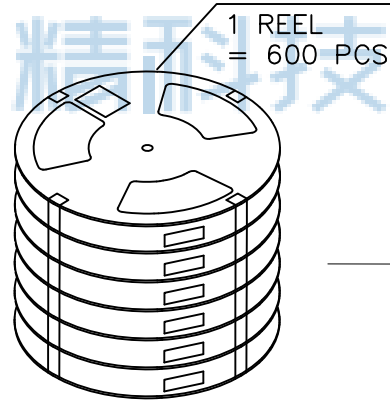
出料方向 PULL OUT DIRECTEON



2. 上帶 剝離力為: 0.1~1.3N(10.2gf~130gf)
PEELING OFF FORCE OF TOP TAPE: 0.1~1.3N(10.2gf~130gf)

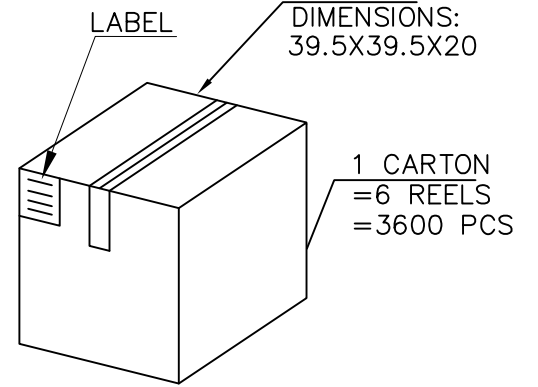
出貨運輸過程中一定注意:
THIS REQUIREMENT SHOULD BE APPLIED AT SHIPMENT:
卷帶在運輸過程中不能散開
PEELING OFF SHOULD NOT BE ALLOWED DURING TRANSPORTATION

TAPE & REEL 7 PCS



BOX

DIMENSIONS:
39.5X39.5X20



(The detail of the packing) Carton

包裝容量 (Packing Capacity)		重量 Weight (Kg)			
pcs/box	boxs/Carton	Pcs/Box	N.W./Pcs	N.W./Box	G.W./Box
600	6	3600	—	—	—

THIS DOCUMENT IS THE SOLE PROPERTY OF BBJconn Technology Co.,Ltd. Corporation AND SHOULD NOT BE USED IN WHOLE PRIOR WRITTEN PERMISSION.		深圳市步步精科技有限公司 .X: ±0.38 .X': ±3" .XX: ±0.25 .X': ±2" .XXX: ±0.13 .XX': ±1"		NAME: TYPE-C 16P 母座 板上四脚插 端子SMT L=8.0 垫高3.0 CH=4.58 带柱 无翻边 脚长1.40 编带 PJ NO: 126-221-160008-V2G SIZE:A4 DRW NO: FINISH:SEE NOTES MAT'L:SEE NOTES SCALE:N/A REV:A0 UNIT:mm PAGE:3/3	
APPD	JM_Zheng	CHKD	LYX	DR	GZY
PDWG NO: 0100-2					