



REV.	DESCRIPTION	NAME	DATE
A	NEWS ISSUE	LYX	
B	为改善外壳电镀打结, 将外壳后脚工艺槽改窄至0.25mm	LYX	2022.07.01

A

B

C

D

E

F

A

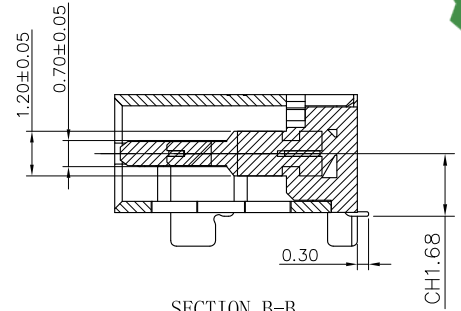
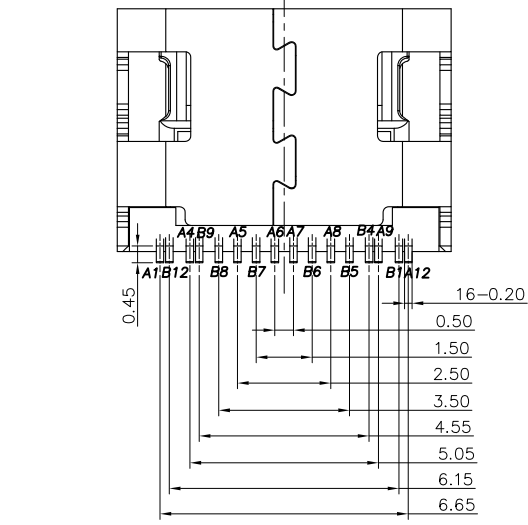
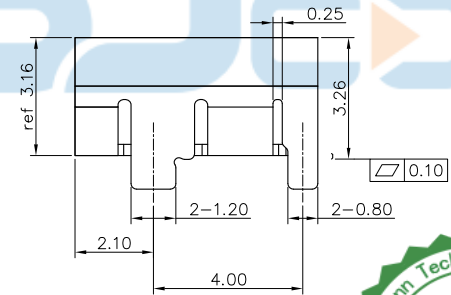
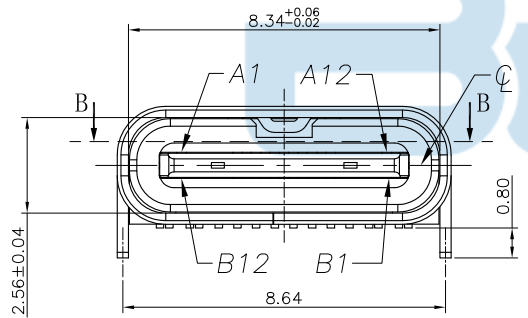
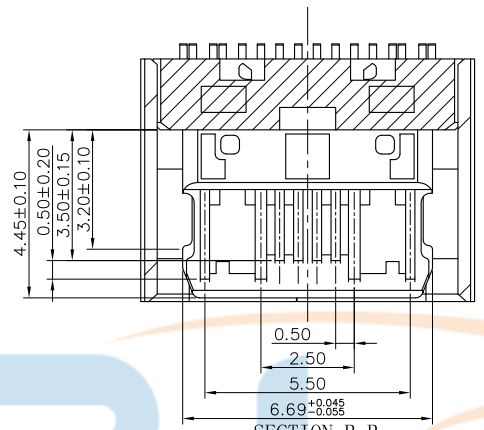
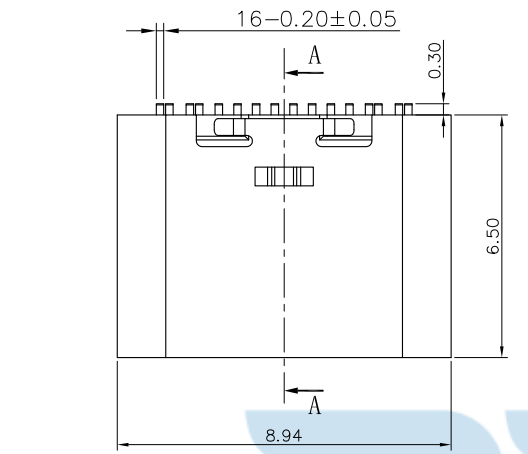
B

C

D

E

F



NOTE:

- MATERIAL SPECIFICATION:
  - HOUSING: HIGH TEMPERATURE RESISTANT PLASTIC, UL94 V-0.
  - CONTACTS: COPPER ALLOY
  - MID PLATE: STAINLESS STEEL
- PLATING SPECIFICATION:
  - CONTACTS:
    - Ni 50u" MIN. UNDER PLATED OVER ALL.
    - Au PLATED ON THE FUNCTIONAL AREA OF CONTACT.
  - FRONT SHELL:
    - Ni 30u" MIN. UNDER PLATED OVER ALL.
- MECHANICAL PERFORMANCE,
  - INSERTION FORCE: 0.5~2.0kgf.
  - REMOVAL FORCE: 0.8kgf~2.0kgf.
  - DURABILITY: 10000 CYCLES.
- ELECTRICAL PERFORMANCE,
  - CURRENT RATING: 8A  
VOLTAGE RATING: 20V
  - INSULATION RESISTANCE: 100MΩ MIN
  - DIELECTRIC WITHSTAND VOLTAGE, AC 100V FOR 1 MINUTE.
  - LOW CONTACT RESISTANCE: INITIAL 40MΩ  
AFTER 50MΩ
- ENVIRONMENTAL PERFORMANCE:
  - OPERATING TEMPERATURE: -30°C~+80°C.
- IR REFLOW:
  - THE PEAK TEMPERATURE ON THE BOARD SHALL BE MAINTAINED FOR 10 SECONDS AT 260°C.

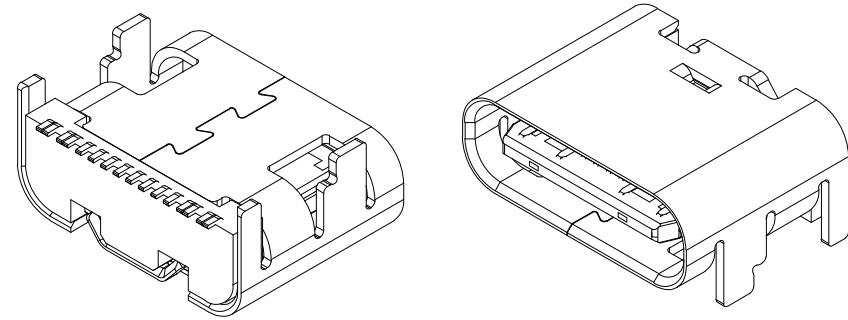


TOLERANCE	UNSPECIFIED
.0	±0.35
.00	±0.25
.000	±0.15
X.°	±2.00°
CUSTOMER DRAWING	

**深圳市步步精科技有限公司**

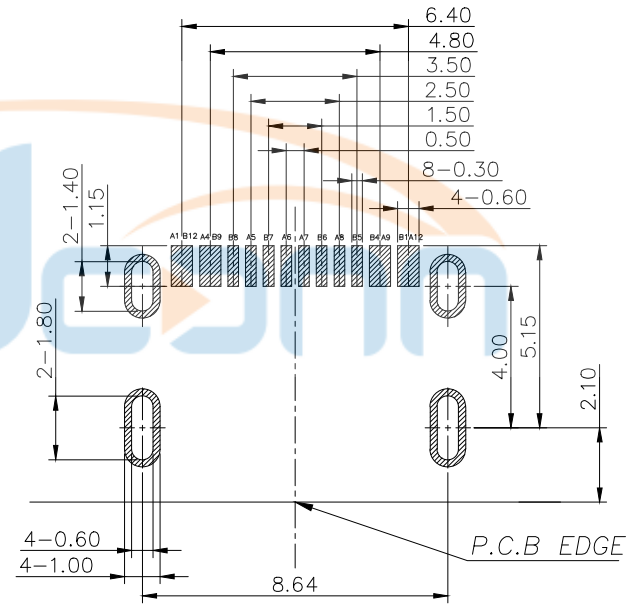
TITLE:  
TYPE-C 16P 母座 L=6.5 板上型 CH1.68 铜合金端子 电流8A

DRAWN/ DATE	HMY	SIZE:A4	UNIT:MM.	PART. NO:	UC.01.51-11-0029
CHECKED/ DATE	LYX	SCALE: 1:1	PROJECTION		REV.: 版本
APPROVED/ DATE	LJP	DWG. PATH	0100-2		SHEET: 页码



USB TYPE-C PIN ASSIGNMENTS

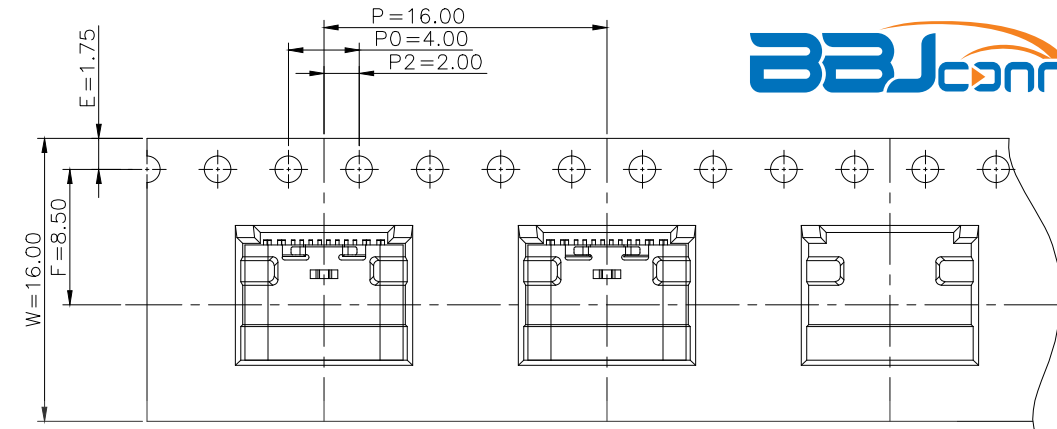
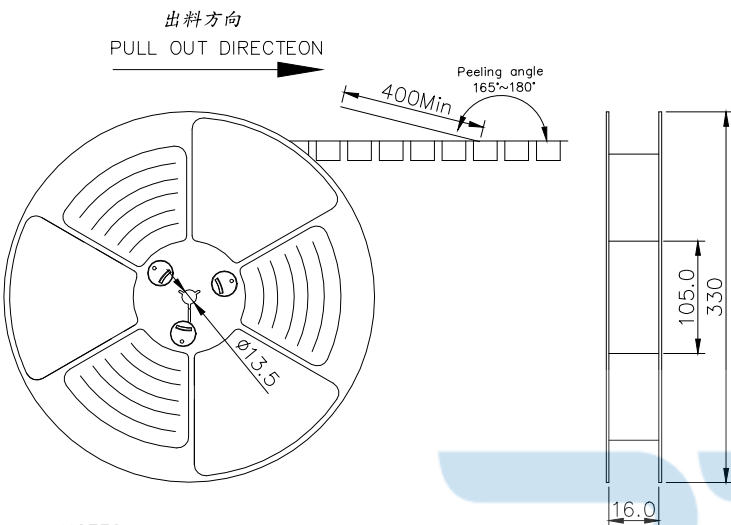
PIN NUMBER	SIGNAL NAME	PIN NUMBER	SIGNAL NAME
A1	GND	B12	GND
A4	VBUS	B9	VBUS
A5	CC1	B8	SBU2
A6	Dp1	B7	Dn2
A7	Dn1	B6	Dp2
A8	SBU1	B5	CC2
A9	VBUS	B4	VBUS
A12	GND	B1	GND



RECOMMEND P.C.B LAYOUT (COMPONENT SIDE)  
TOLERANCE FOR PCB LAYOUT IS  $\pm 0.05$



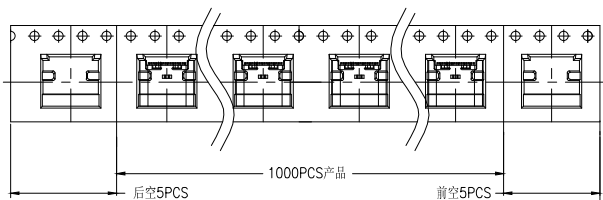
TOLERANCE UNSPECIFIED		深圳市步步精科技有限公司	
.0 $\pm 0.35$ .00 $\pm 0.25$ .000 $\pm 0.15$ X. ° $\pm 2.00^\circ$ CUSTOMER DRAWING		TITLE: TYPE-C 16P 母座 L=6.5 板上型 CH1.68 铜合金端子 电流8A	
DRAWN/ DATE	HMY	SIZE:A4	UNIT:MM. PART. NO: UC.01.51-11-0029
CHECKED/ DATE	LYX	SCALE: 1:1	PROJECTION  REV.: 版本
APPROVED/ DATE	LJP	DWG. PATH	0100-2 SHEET: 页码



NOTES

1. 帶子引導長度  
LEAD TAPE LENGTH  
出料方向  
PULL OUT DIRECTEON

出料方向  
PULL OUT DIRECTEON



2. 上帶 剝力力為：0.1~1.3N(10.2gf~130gf)  
PEELING OFF FORCE OF TOP TAPE:0.1~1.3N(10.2gf~130gf)  
出貨運輸過程中一定注意：  
THIS REQUIREMENT SHOULD BE APPLIED AT SHIPMENT：  
卷帶在運輸過程中不能散開  
PEELING OFF SHOULD NOT BE ALLOWED DURING TRANSPORTATION

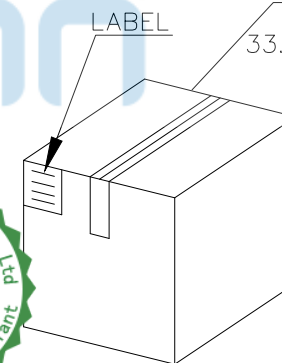
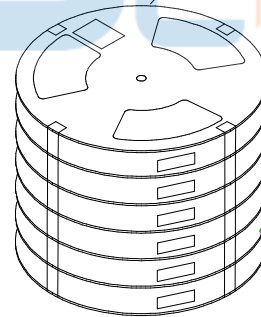
TAPE & REEL 14 PCS

1 REEL  
= 1000 PCS

BOX

DIMENSIONS:  
33.5X33.5X30.5

1 CARTON  
=14 REELS  
=14000 PCS



TOLERANCE UNSPECIFIED	
.0	±0.35
.00	±0.25
.000	±0.15
X. "	±2.00"
CUSTOMER DRAWING	

**BBJconn** 深圳市步步精科技有限公司

TITLE:  
TYPE-C 16P 母座 L=6.5 板上型 CH1.68 铜合金端子 电流8A

DRAWN/ DATE	HMY	SIZE:A4	UNIT:MM.	PART.NO:	UC.01.51-11-0029	
CHECKED/ DATE	LYX	SCALE: 1:1	PROJECTION			REV.: 版本
APPROVED/ DATE	LJP	DWG. PATH	0100-2		SHEET: 页码	

包裝明細表 (The detail of the packing) Carton

產品料號 (Product No.)	包裝容量 (Packing Capacity)		重量 Weight (Kg)			
	pcs/box	boxes/Carton	Pcs/Box	N.W./Pcs	N.W./Box	G.W./Box
	1000	14	14000	----	----	----

1

2

3

4

5

6

7

8