



NOTE:

1.MATERIAL SPECIFICATION:

- 1.HOUSING:HIGH TEMPERATURE RESISTANT PLASTIC,UL94 V-0(LCP)
- 2.CONTACTS: COPPER ALLOY(C2680)
- 3.MID PLATE: STAINLESS STEEL SUS301

2.PLATING SPECIFICATION:

2-1.CONTACTS:

- Ni 50u" MIN. UNDER PLATED OVER ALL.
- Au PLATED ON THE FUNCTIONAL AREA OF CONTACT.
- (GOLD PLATING THICKNESS FOLLOW THE P/N)
- GOLD FLASH PLATING ON SOLDER AREA

2-2.FRONT SHELL:

- Ni 30u" MIN. UNDER PLATED OVER ALL.

3.MECHANICAL PERFORMANCE,

- 3-1.INSERTION FORCE: 0.5~2.0kgf.
- 3-2.REMOVAL FORCE: 0.8kgf~2.0kgf.
- 3-3.DURABILITY:10000 CYCLES.

4.ELECTRICAL PERFORMANCE,

- 4-1. CURRENT RATING:5.0A
- VOLTAGE RATING: 20V
- 4-2.INSULATION RESISTANCE: 100MΩ MIN
- 4-3.DIELECTRIC WITHSTAND VOLTAGE,AC 100V FOR 1 MINUTE.

5. ENVIRONMENTAL PERFORMANCE:

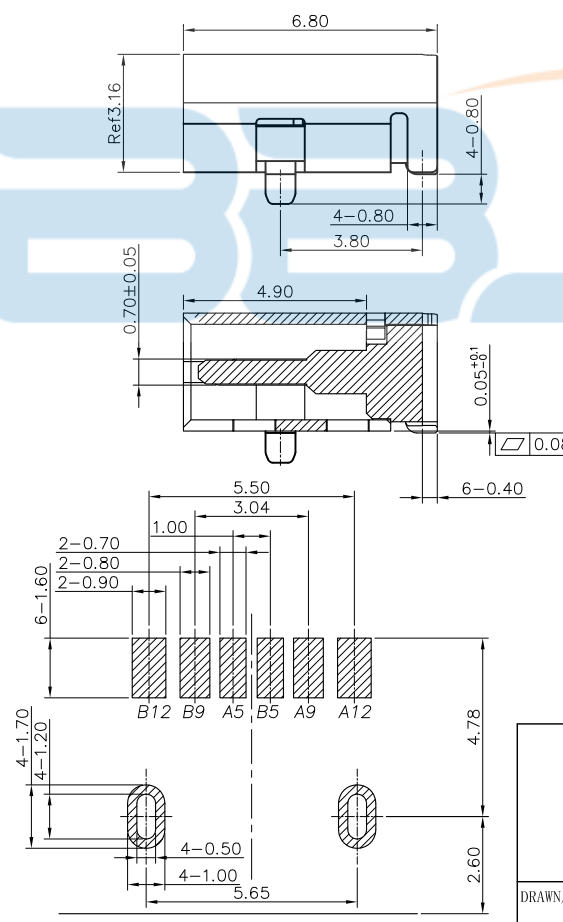
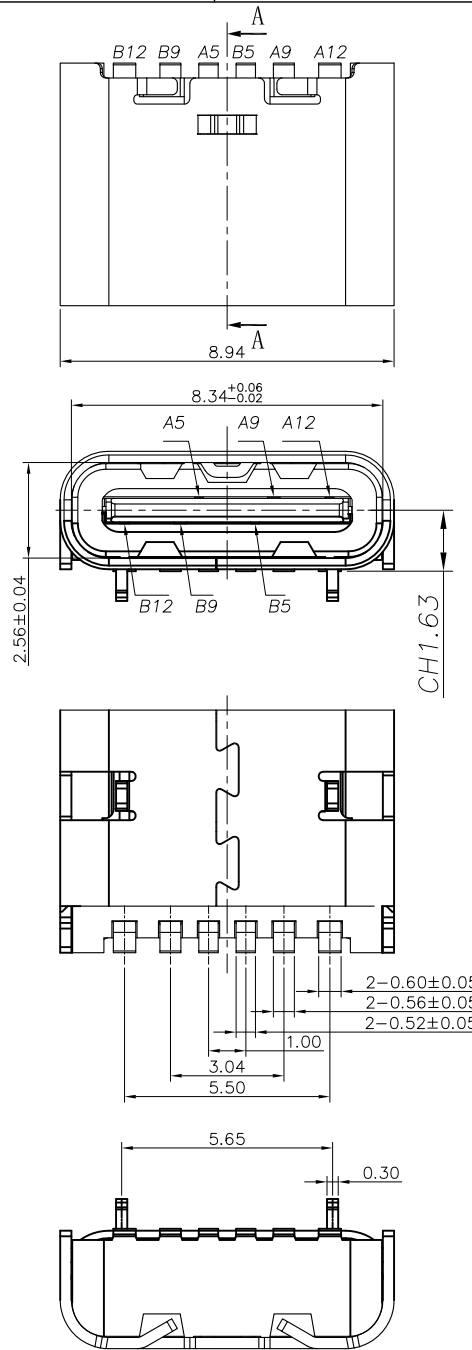
- OPERATING TEMPERATURE: -30°C~+80°C.

6.IR REFLOW:

- THE PEAK TEMPERATURE ON THE BOARD SHALL BE MAINTAINED FOR 10 SECONDS AT 260°C.

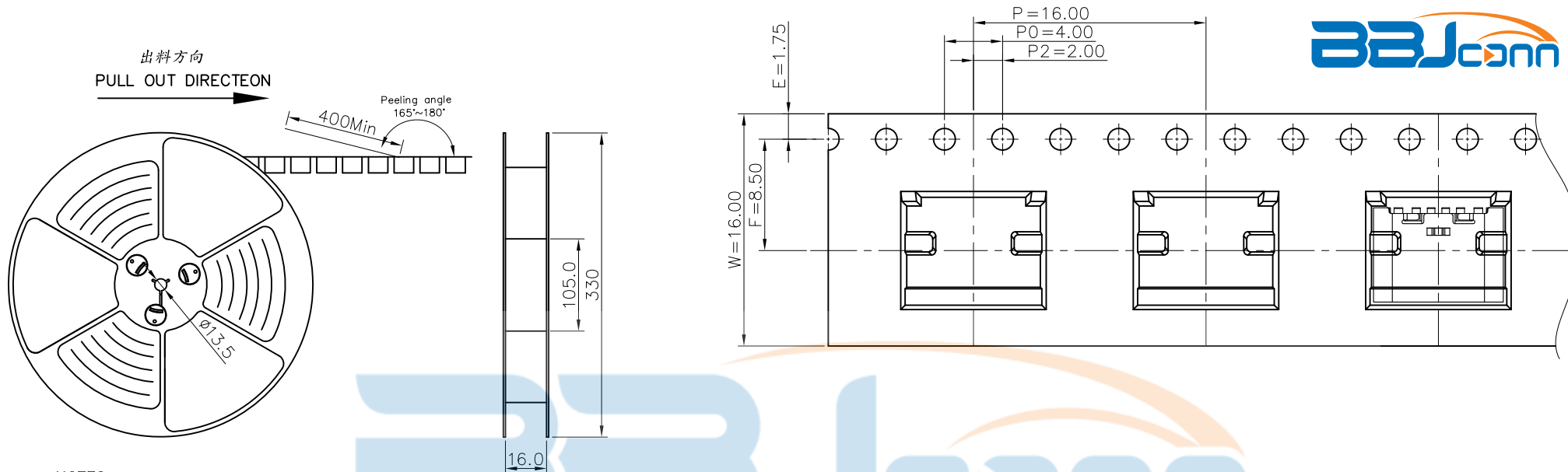
USB TYPE-C PIN ASSIGNMENTS

PIN NUMBER	SIGNAL NAME
A5	CC1
A9	VBUS
A12	GND
B12	GND
B9	VBUS
B5	CC2



RECOMMEND P.C.B LAYOUT(COMPONENT SIDE)
TOLERANCE FOR PCB LAYOUT IS ± 0.05

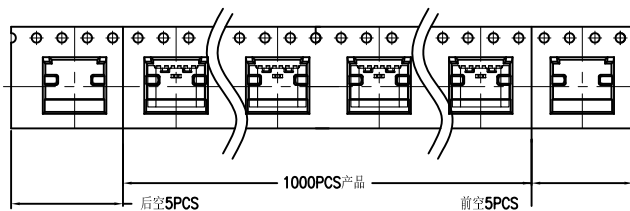
TOLERANCE UNSPECIFIED		深圳市步步精科技有限公司 TITLE: TYPE-C 6P 母座板上俩脚插5.65间距 L=6.80 CH=1.63			
·0	±0.35	SIZE:A4	UNIT:MM.	PART. NO: UC.01.53-11-0026	
·00	±0.25	CHECKED/ DATE	SCALE: 1:1	PROJECTION	REV.: 版本
·000	±0.15	APPROVED/ DATE	DWG. PATH	0100-2	SHEET: 页码
X. °	±2.00°				
CUSTOMER DRAWING		设计 HMY			
		审核 LYX			
		核准 LJP			



NOTES

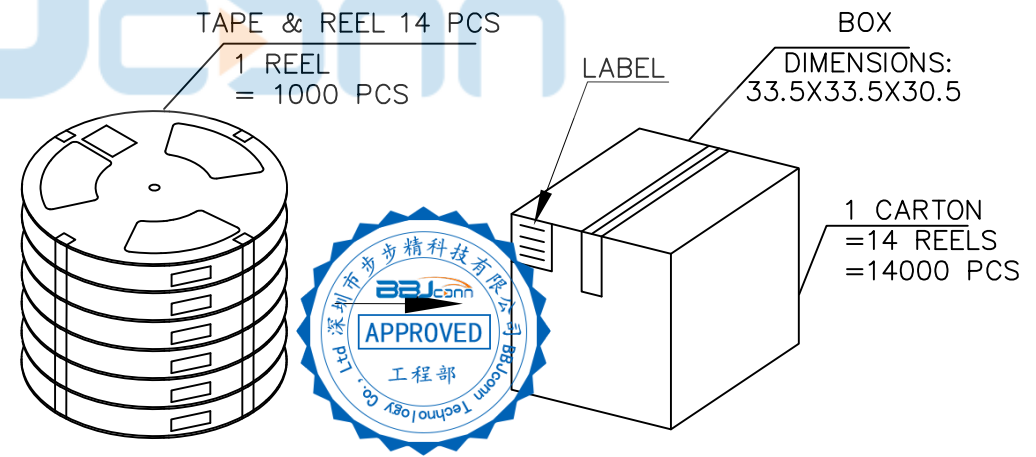
1.帶子引導長度
LEAD TAPE LENGTH

出料方向
PULL OUT DIRECTEON



2.上帶 剝力力為：0.1~1.3N(10.2gf~130gf)
PEELING OFF FORCE OF TOP TAPE:0.1~1.3N(10.2gf~130gf)

出貨運輸過程中一定注意：
THIS REQUIREMENT SHOULD BE APPLIED AT SHIPMENT：
卷帶在運輸過程中不能散開
PEELING OFF SHOULD NOT BE ALLOWED DURING TRANSPORTATION



包裝明細表 (The detail of the packing) Carton						
產品料號 (Product No.)	包裝容量 (Packing Capacity)			重量 Weight (Kg)		
	pcs/box	boxes/Carton	Pcs/Box	N.W./Pcs	N.W./Box	G.W./Box
	1000	14	14000	----	----	----

TOLERANCE UNSPECIFIED		深圳市步步精科技有限公司 TYPE-C 6P 母座板上俩脚插5.65间距 L=6.80 CH=1.63					
·0	±0.35	DRAWN/ DATE	设计 HMY	SIZE:A4	UNIT:MM.	PART. NO: UC.01.53-11-0026	
·00	±0.25	CHECKED/ DATE	审核 LYX	SCALE: 1:1		PROJECTION	REV.: 版本
·000	±0.15	APPROVED/ DATE	核准 LJP	DWG. PATH	0100-2		SHEET: 页码
X.°	±2.00°						
CUSTOMER DRAWING							