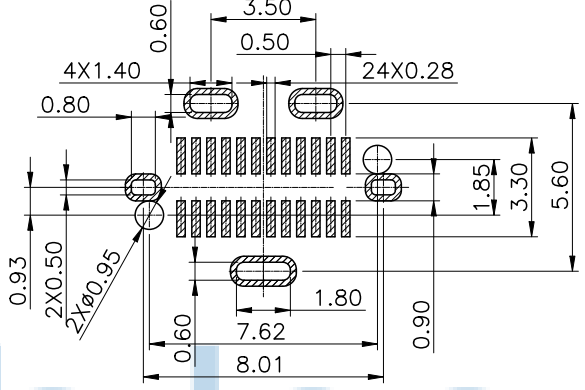
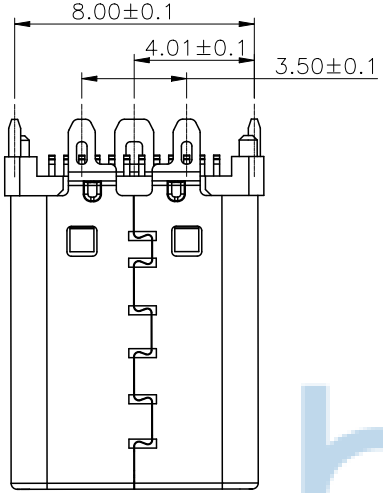
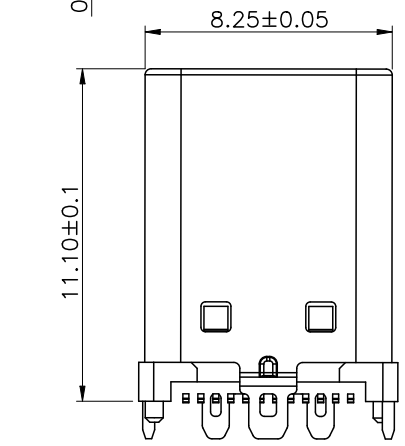
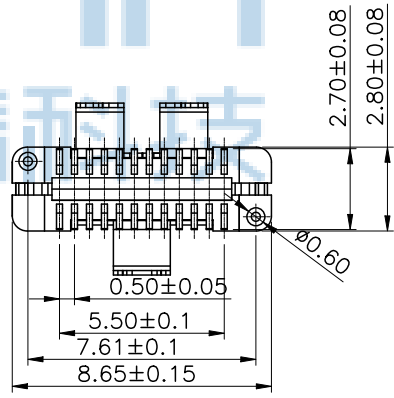
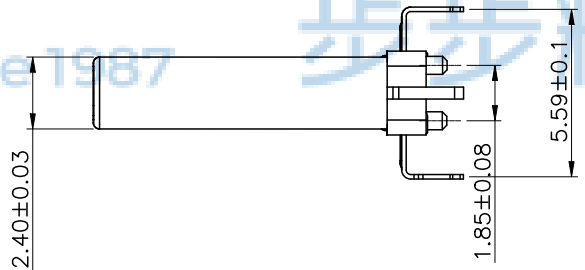
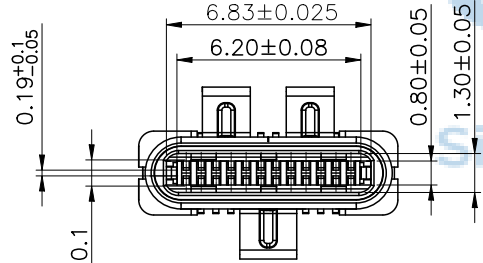


REV	ECN NO	CONTENT	DATE	ENGINEER
A0		INITIAL RELEASE	/	SGF

- NOTES:  
SPECIFICATION:
- CURRENT RATING: 3.0A MAX
  - VOLTAGE: 100 VAC
  - TEMPERATURE RANGE: -40 °C ~ 85 °C
  - CONTACT RESISTANCE: 40 MILLIONHM MAX
  - INSULATION RESISTANCE: 100 MEGOHMS MIN.
  - INSERTION FORCE : 5N~20N
  - UNMATING FORCE: 8N~20N
  - DURABILITY: 10,000 CYCLES



RECOMMENDED PCB LAYOUT(t=0.80±0.05)  
COMPONENT SIDE(GENERAL TOLERANCE:±0.05)



A1	GND	B12	GND
A2	SSTXP1	B11	SSRXP1
A3	SSTXN1	B10	SSRXN1
A4	VBUS	B9	VBUS
A5	CC1	B8	SBU2
A6	DP1	B7	DN2
A7	DN1	B6	DP2
A8	SBU1	B5	CC2
A9	VBUS	B4	VBUS
A10	SSRXN2	B3	SSTXN2
A11	SSRXP2	B2	SSTXP2
A12	GND	B1	GND
PIN	SIGNAL NAME	PIN	SIGNAL NAME

5	COVER	HIGH TEMPERATURE PLASTIC	LCP BLACK	1PCS
4	SPRING	STAINLESS STEEL	---	2PCS
3	LATCH	STAINLESS STEEL	TIN: 80-120u"Min/Ni base: 50u"Min Plated	1PCS
2	SHELL	STAINLESS STEEL	Ni: 50u"Min Plated	1PCS
1	TERMINAL HOUSING	HIGH TEMPERATURE PLASTIC	LCP BLACK/COPPER ALLOY: Au: 1u"Min Ni base 50u"Min	2PCS
NO.	DESCRIPTION	MATERIAL	REMARKS	QTY

THIS DOCUMENT IS THE SOLE PROPERTY OF BBJconn Technology Co.,Ltd. Corporation AND SHOULD NOT BE USED IN WHOLE PRIOR WRITTEN PERMISSION.

PDWG NO: 0500-1

**深圳市步步精科技有限公司**

NAME: TYPE-C 24P 公头 直立式 三脚插 带柱 端子SMT H=11.10 镀金1U 编带

PJ NO: 126-124-240003-J8G

SIZE:A4 DRW NO:

FINISH:SEE NOTES MAT'L:SEE NOTES

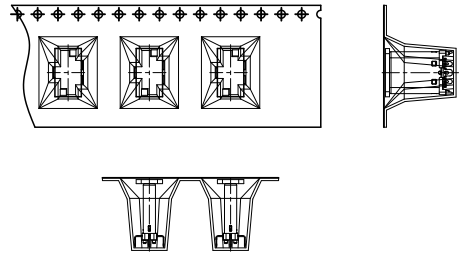
SCALE:N/A REV:A0 UNIT:mm PAGE:1/2

APPD: JM\_Zheng

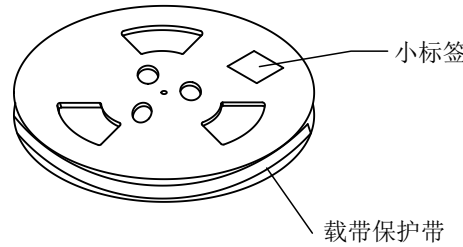
CHKD: LYX

DR: SGF

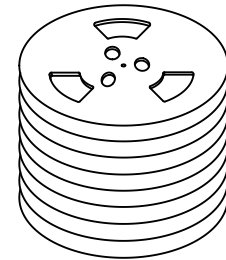
REV	ECN NO	CONTENT	DATE	ENGINEER
AO		INITIAL RELEASE	/	SGF



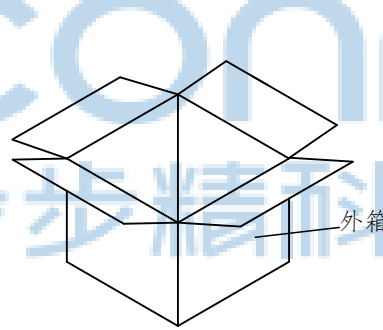
① 产品入载带示意图



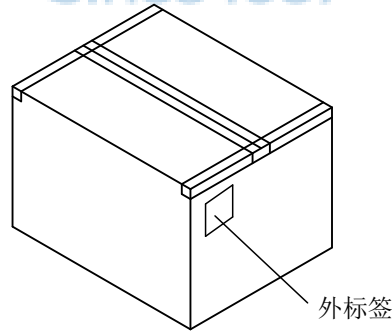
② 卷盘贴标签示意图



③ 10盘产品叠层示意图



④ 产品入外箱示意图



⑤ 外箱封箱示意图



1	成品		C M TYPE直立式外壳3支脚成品	470
2	CARRIER TAPE	PET	W=24mm T=0.35mm	7.0M
3	COVER TAPE	PET	W=13.3mm T=0.05mm	8.0M
4	小标签		L102mm*W59mm	10
5	卷盘	PS	Ø380MM*W28.5MM	10
6	外箱	A=A		1
7	防水袋	PS		1
8	干燥剂			1
ITEM	DESC.	MATERIAL	REMARKS	QTY

NOTE:

- QUANTITY/REEL:470 PCS  
数量/卷:470 PCS  
QUANTITY/INNER CARTON:3470 X 10 = 4700 PCS  
数量/箱: 470X 10 = 4700 PCS
- FREE 15 CAVE IN THE FRONT CARRIER ADN FREE 15 CAVE IN THE END CARRIER.  
包装带内圈空15格,外圈空15格.

包装容量(PACKING CAPACITY)			重量 WEIGHT (Kg)		
PCS/REEL	REELS/CARTON	PCS/CARTON	N.W./PCS	N.W./BOX	G.W./BOX
470	10	4700			

THIS DOCUMENT IS THE SOLE PROPERTY OF BBJconn Technology Co.,Ltd. Corporation AND SHOULD NOT BE USED IN WHOLE PRIOR WRITTEN PERMISSION.

**深圳市步步精科技有限公司**

NAME: TYPE-C 24P 公头 直立式 三脚插 带柱 端子SMT H=11.10 镀金1U 编带	
APPD: JM_Zheng	PJ NO: 126-124-240003-J8G
CHKD: LYX	SIZE:A4   DRW NO:
DR: SGF	FINISH:SEE NOTES   MAT'L:SEE NOTES
SCALE:N/A	REV:AO   UNIT:mm   PAGE:2/2

PDWG NO: 0500-1