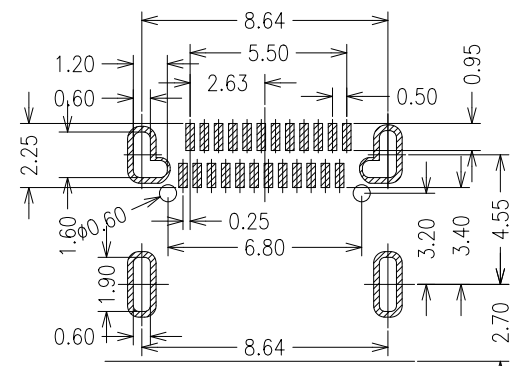
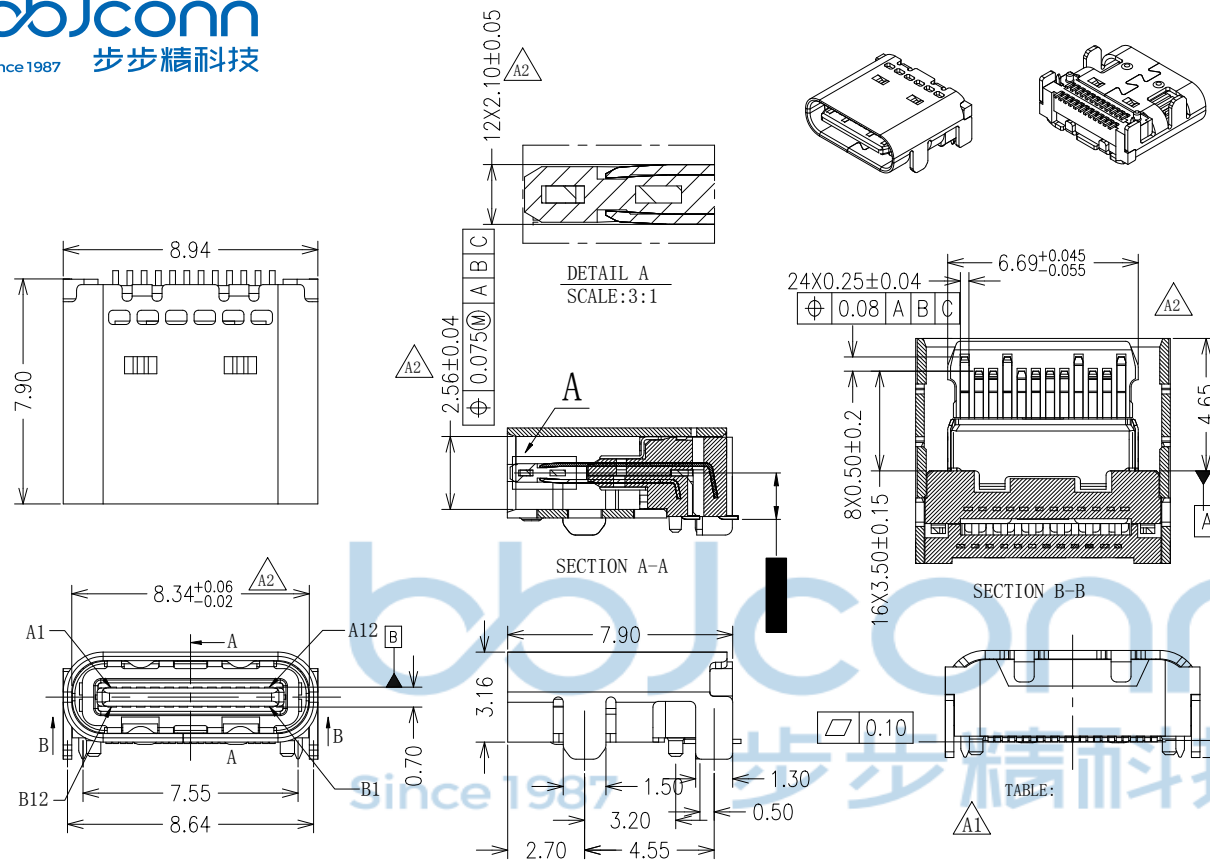


REV.	ECN NO.	CONTENT	DATE	ENGINEER
AO		Initial release		LYX

- NOTES:  
SPECIFICATION:
- CURRENT RATING: 5A MAX
  - VOLTAGE: 100 VAC
  - TEMPERATURE RANGE: -30 °C ~ 85 °C
  - CONTACT RESISTANCE: 40 MILLIONHM MAX
  - INSULATION RESISTANCE: 100 MEGOHMS MIN.
  - INSERTION FORCE : 5N~20N
  - UNMATING FORCE: 8N~20N
  - DURABILITY: 10,000 CYCLES
  - Salt spray:48H
  - The terminals are gold-plated 5u"



A1	GND	B12	GND
A2	SSTXP1	B11	SSRXP1
A3	SSTXN1	B10	SSRXN1
A4	VBUS	B9	VBUS
A5	CC1	B8	SBU2
A6	DP1	B7	DN2
A7	DN1	B6	DP2
A8	SBU1	B5	CC2
A9	VBUS	B4	VBUS
A10	SSRXN2	B3	SSTXN2
A11	SSRXP2	B2	SSTXP2
A12	GND	B1	GND
PIN	SIGNAL NAME	PIN	SIGNAL NAME

材质:  
1.外壳: 304  
2.端子: 高导电 7025  
3.塑胶: LCP黑胶



THIS DOCUMENT IS THE SOLE PROPERTY OF BBJconn Technology Co.,Ltd. Corporation AND SHOULD NOT BE USED IN WHOLE OR IN PART WITHOUT PRIOR WRITTEN PERMISSION. PDWG,NO: 0545-1

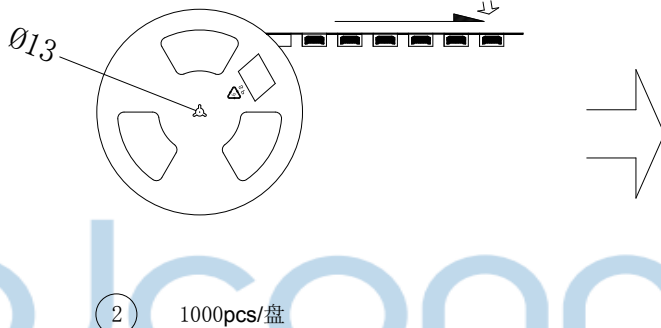
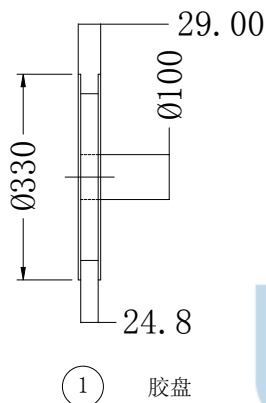
**深圳市步步精科技有限公司**

NAME: TYPE-C 24P 母座 L=7.90 CH=1.63 板上四脚插 带柱 端子双排SMT 电镀5u 莫仕款

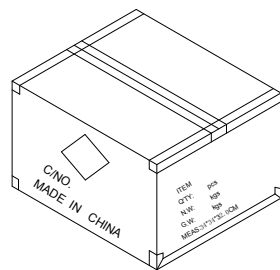
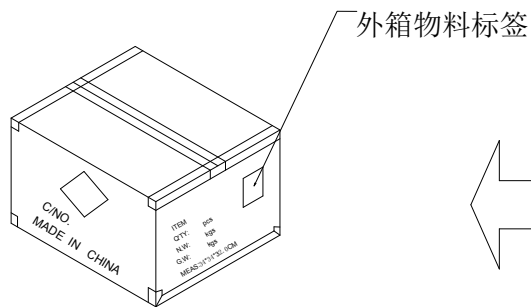
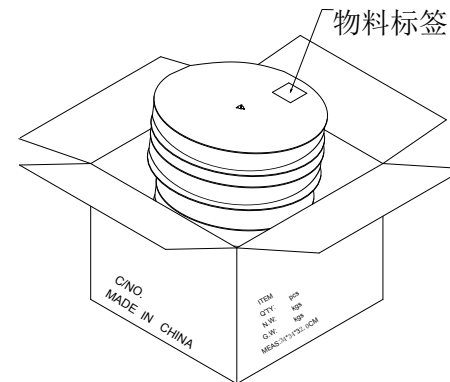
APPD. JM\_Zheng  
CHKD. TSP  
DR. LYX

PJ. NO.: 126-221-240003-J8G  
SIZE: A4 DRW NO.:  
FINISH: SEE NOTES MAT'L.: SEE NOTES  
SCALE: N/A REV.: AO UNIT: mm PAGE: 1/1

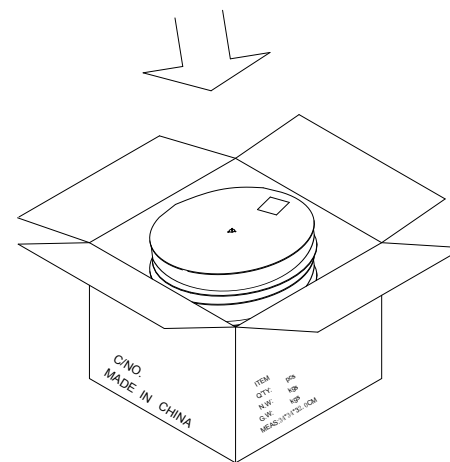
REV.	ECN NO.	CONTENT	DATE	ENGINEER
AO		Initial release		LYX



③ 10盘/箱 (10Kpcs)



⑤ 外箱用透明胶纸带封“工”字型。



④ 每箱装10盘,若尾数箱在空间处加装填充物。

⑥ 依图示粘贴产品或ROHS标签。

- 备注:
1. 胶盘规格: 外圆\*内圆\*厚: 380\*13\*22mm
  2. 每箱装10盘 (10Kpcs);
  3. 外箱尺寸: 长\*宽\*高: 34\*34\*32.0cm  
材质: A=B;
  4. 外箱用透明胶纸带封“工”字型;
  5. 依外箱图示位置粘贴好产品或ROHS标签。



THIS DOCUMENT IS THE SOLE PROPERTY OF BBJconn Technology Co., Ltd. Corporation AND SHOULD NOT BE USED IN WHOLE OR IN PART WITHOUT PRIOR WRITTEN PERMISSION.		<b>深圳市步步精科技有限公司</b>	
.X: ±0.38 .XX: ±0.25 .XXX: ±0.13		X': ±3" .X": ±2" .XX': ±1"	
APPD. JM_Zheng		NAME: TYPE-C 24P 母座 L=7.90 CH=1.63 板上四插脚 带柱 端子双排SMT 电镀5u 莫仕款	
CHKD. TSP		PJ. NO.: 126-221-240003-J8G	
DR. LYX		SIZE: A4   DRW NO.:	
PDWG,NO: 0545-1		FINISH: SEE NOTES   MAT'L.: SEE NOTES	
		SCALE: N/A   REV.: AO   UNIT: mm   PAGE: 2/2	