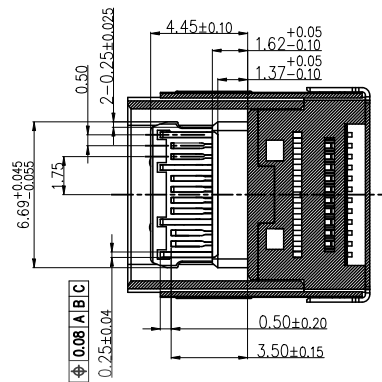
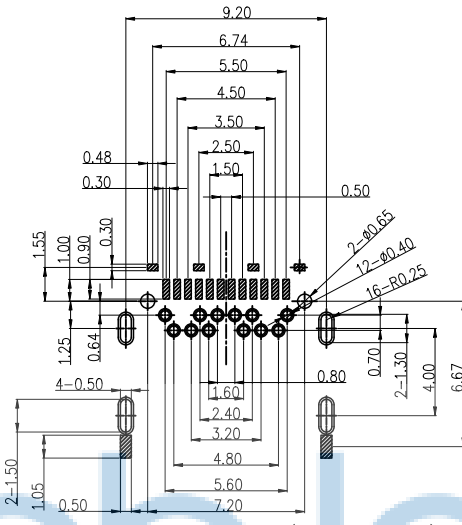
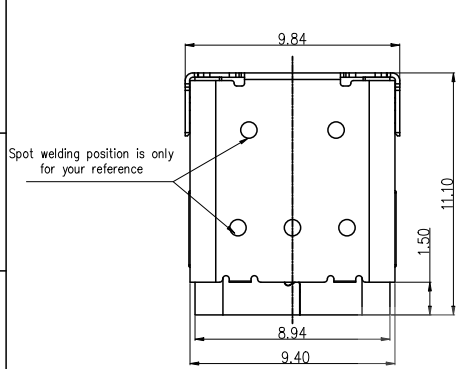
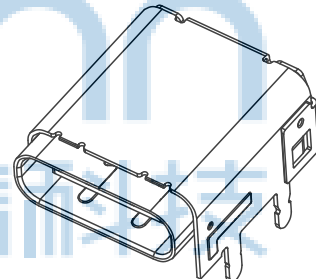
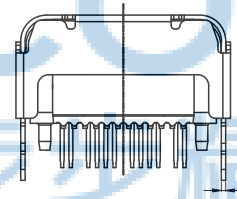
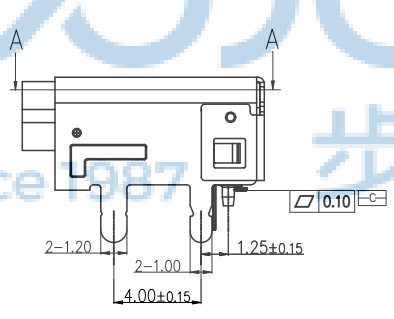
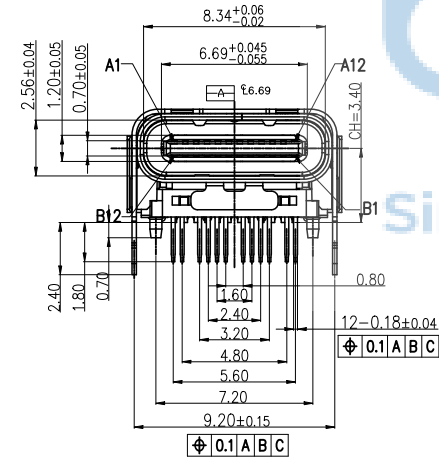


REV.	ECN NO	CONTENT	DATE	ENGINEER
A0		Initial release	/	TSP



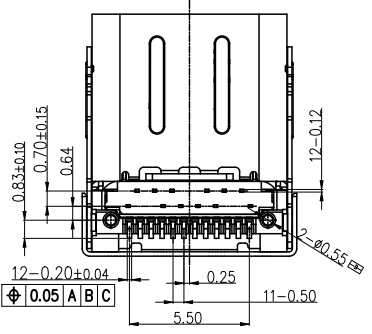
RECOMMENDED P.C.B LAYOUT (COMPONENT SIDE)  
PCB THICKNESS: 2.0±0.05mm



NOTES:  
 1..COPLANARITY : 0.10 Max.  
 2.ELECTRICAL CHARACTERISTICS  
 LOW LEVEL CONTACT RESISTANCE: 40mΩ Max  
 INSULATION RESISTANCE:100MΩ MIN  
 DIELECTRIC WITHSTANDING VOLTAGE:100 VAC:  
 CONTACT CURRENT RATING:5A Max  
 3.MECHANICAL CHARACTERISTICS  
 INSERTION FORCE: 5~20N  
 EXTRACTION FORCE: 8~20N  
 AFTER DURABILITY EXTRACTION FORCE: 6~20N  
 4.DURABILITY: 10000 CYCLES  
 5.PACKAGING TYPE: CARRIER TAPE.  
 6.SALT SPRAY : 24 HOURS

6	OUTER-SHELL	1	STAINLESS STEEL SUS304	SOLDER NICKEL: 30U" MIN
5	INNER-SHELL	1	STAINLESS STEEL SUS304	SOLDER NICKEL: 30U" MIN
4	TOP TERMINAL	1	COPPER ALLOY C7025	MATING AREA: AU 3u" SOLDER TAIL: MATTE TIN 100 MIN, 80u" NICKEL OVERALL.
3	BOTTOM TERMINAL	1	COPPER ALLOY C7025	MATING AREA: AU 3u" SOLDER TAIL: MATTE TIN 100 MIN, 80u" NICKEL OVERALL.
2	MID PLATE	1	STAINLESS STEEL SUS301	NO PLATING
1	MAIN HOUSING	1	HIGH TEMPERATURE	LCP, BLACK
ITEM	DESCRIPTION	Q'TY	MATERIAL	FINISH

Pin No	Signal Name	Mating Sequence	Pin No	Signal Name	Mating Sequence
A1	GND	First	B12	GND	First
A2	TX1+	Second	B11	RX1+	Second
A3	TX1-	Second	B10	RX1-	Second
A4	Vbus	First	B9	Vbus	First
A5	CC1	Second	B8	SBU2	Second
A6	D+	Second	B7	D-	Second
A7	D-	Second	B6	D+	Second
A8	SBU1	Second	B5	CC2	Second
A9	Vbus	First	B4	Vbus	First
A10	RX2-	Second	B3	TX2-	Second
A11	RX2+	Second	B2	TX2+	Second
A12	GND	First	B1	GND	First
SHELL	GND	First			



BILL OF MATERIAL

THIS DOCUMENT IS THE SOLE PROPERTY OF BBJconn Technology Co., Ltd. Corporation AND SHOULD NOT BE USED IN WHOLE OR IN PART WITHOUT PRIOR WRITTEN PERMISSION.

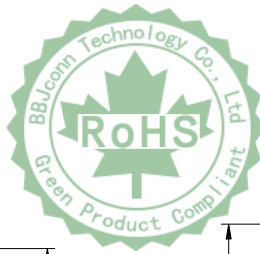
PDWG.NO: 0900-1

**深圳市步步精科技有限公司**

NAME: TYPE-C 24P 母座 双壳 SMT+DIP 四脚插 带柱 PH=4.0 后盖无焊脚 L=11.10 CH=3.40 编带

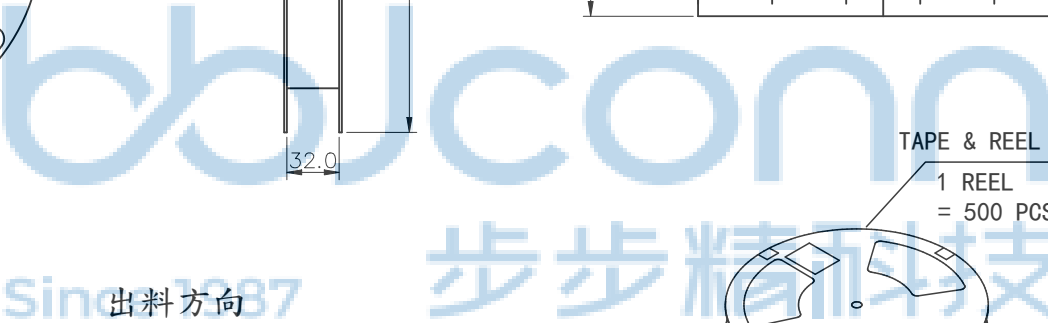
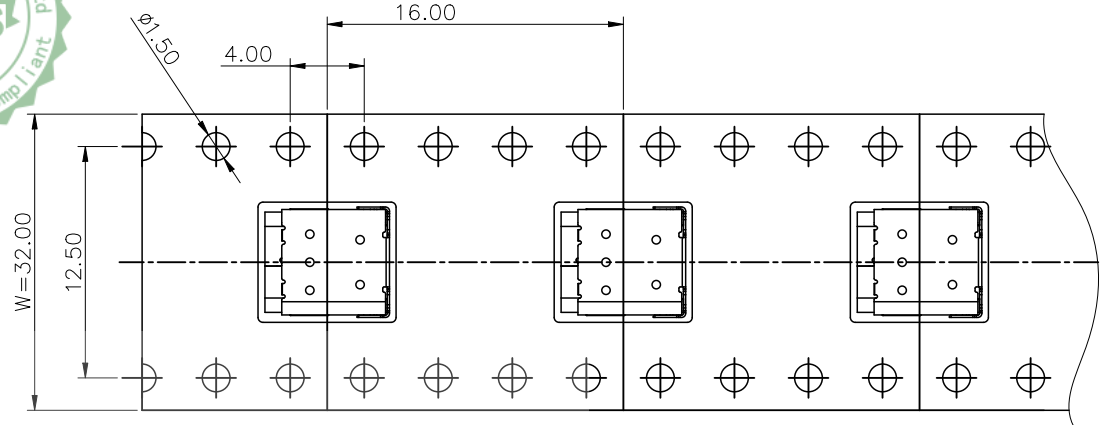
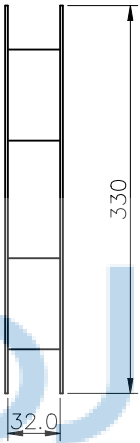
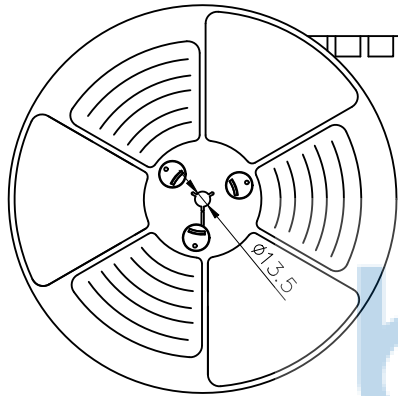
APPD. JM\_Zheng  
CHKD. LYX  
DR. TSP

PJ. NO.: 126-223-240002-J8G  
SIZE: A4 DRW NO.:  
FINISH: SEE NOTES MAT'L.: SEE NOTES  
SCALE: N/A REV.: A0 UNIT: mm PAGE: 1/2

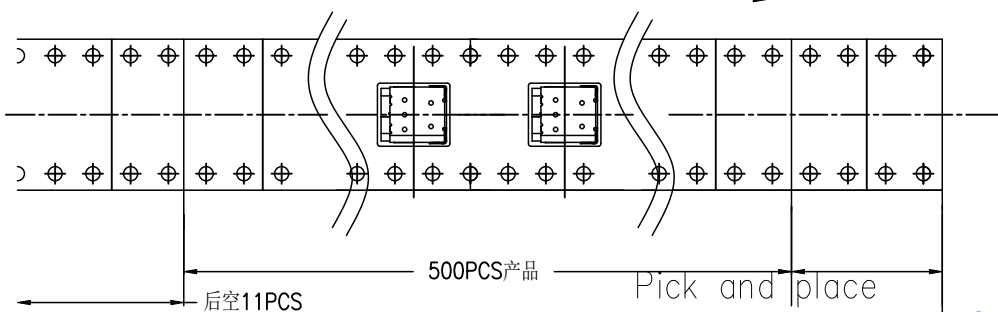


REV.	ECN NO	CONTENT	DATE	ENGINEER
A0		Initial release	/	TSP

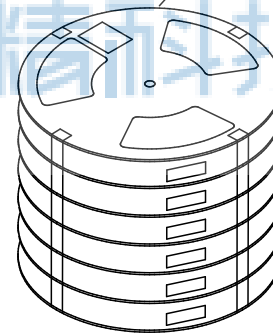
出料方向  
PULL OUT DIRECTEON



出料方向  
PULL OUT DIRECTEON

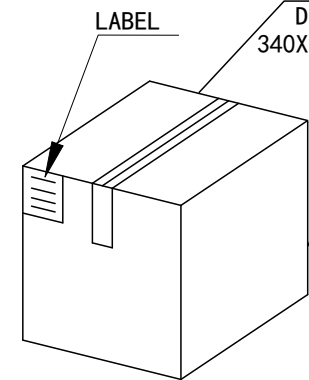


TAPE & REEL 10 PCS  
1 REEL = 500 PCS



BOX

DIMENSIONS:  
340X340X380



1 CARTON  
=10 REELS  
=5000 PCS



THIS DOCUMENT IS THE SOLE PROPERTY OF BBJconn Technology Co.,Ltd. Corporation AND SHOULD NOT BE USED IN WHOLE OR IN PART WITHOUT PRIOR WRITTEN PERMISSION.		<b>深圳市步步精科技有限公司</b> .X: $\pm 0.38$ .X': $\pm 3'$ .XX: $\pm 0.25$ .X': $\pm 2'$ .XXX: $\pm 0.13$ .XX': $\pm 1'$	
APPD.	JM_Zheng	NAME:	TYPE-C 24P 母座 双壳 SMT+DIP 四脚插 带柱 PH=4.0 后盖无焊脚 L=11.10 CH=3.40 编带
CHKD.	LYX	PJ. NO.:	126-223-240002-J8G
DR.	TSP	SIZE:	A4 DRW NO.:
PDWG.NO:	0900-1	FINISH:	SEE NOTES
		MAT'L.:	SEE NOTES
		SCALE:	N/A
		REV.:	A0
		UNIT:	mm
		PAGE:	2/2