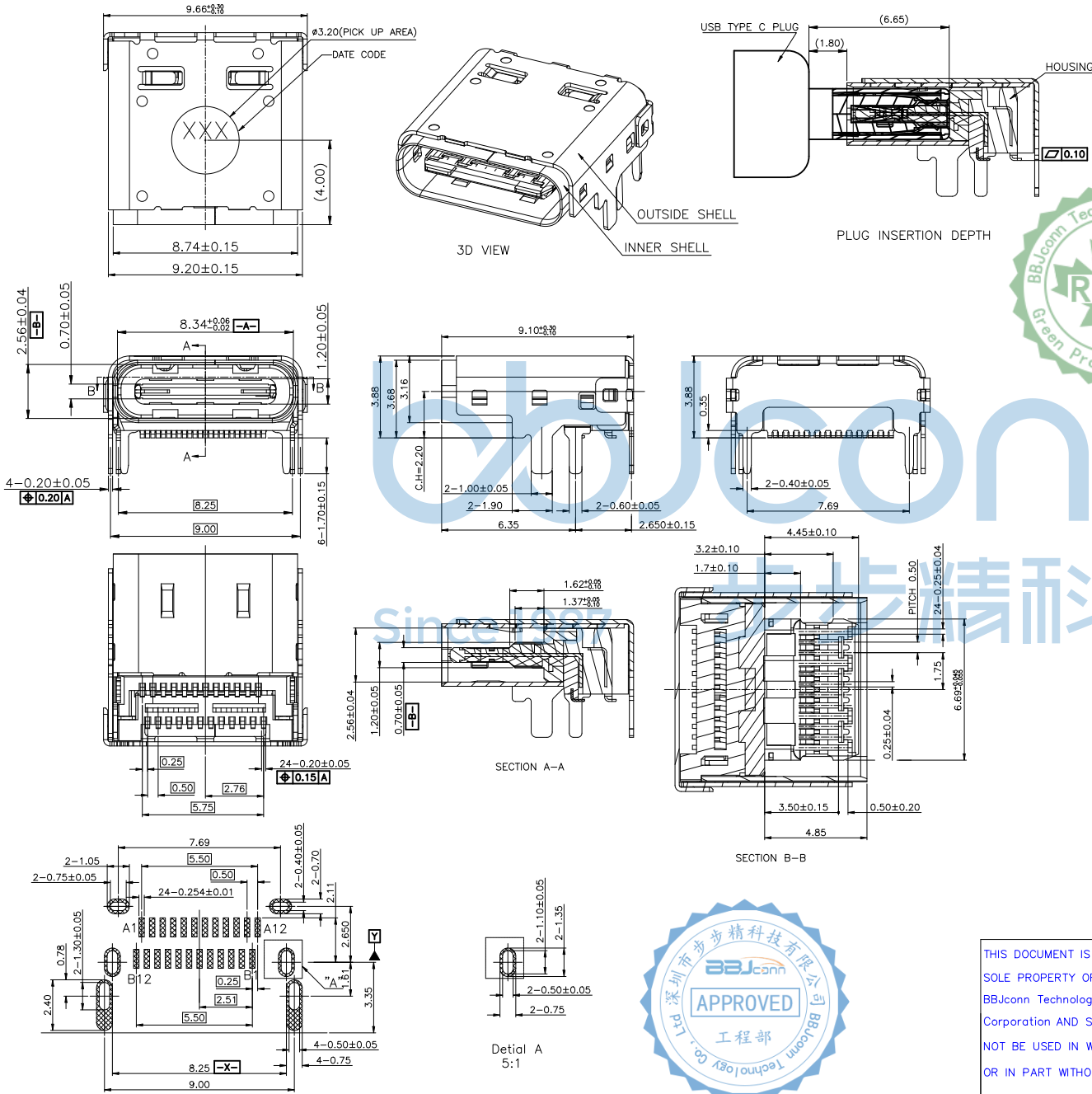


REV.	ECN NO.	CONTENT	DATE	ENGINEER
A0		Initial release	/	TSP

- NOTES:
- MATERIAL:
    - OUTSIDE SHELL: SUS301R-1/2H T=0.20mm
    - INNER SHELL: SUS301R-1/2H T=0.20mm
    - SIGNAL: SUS301R-H T=0.15mm
    - HOUSING: PA9T UL94V-0 BLACK
    - TERMINAL: C19400-H
  - PLATING:
    - TERMINAL: SEE PIN
    - SHELL: 50u"MIN.NICKEL PLATED
  - ELECTRICAL CHARACTERISTICS:
    - CURRENT RATING: 5.0 A  
VOLTAGE RATING: 20.0 V
    - LLCR: VBUS& GND PINS: 40mΩ/PIN MAX  
OTHER PINS : 40mΩ/PIN MAX  
CHANGE OF ALL PINS: 10mΩ
    - INSULATION RESISTANCE: 100MΩ MIN.
  - MECHANICAL CHARACTERISTICS:
    - INSERTION FORCE: 0.5~2.0kg.
    - WITHDRAWAL FORCE: 0.8~2.0kg.(INITIAL:1000 CYCLES)  
0.6~2.0kg.(AFTER LIFE TEST)
  - LIFE TEST: 10000 CYCLES MIN



USB TYPE-C PIN ASSIGNMENTS:

A12	GND	B1	GND
A11	SSRXp2	B2	SSTXp2
A10	SSRXn2	B3	SSTXn2
A9	VBUS	B4	VBUS
A8	SBU1	B5	CC2
A7	Dn1	B6	Dp2
A6	Dp1	B7	Dn2
A5	CC1	B8	SBU2
A4	VBUS	B9	VBUS
A3	SSTXn1	B10	SSRXn1
A2	SSTXp1	B11	SSRXp1
A1	GND	B12	GND
PIN	SIGNAL NAME	PIN	SIGNAL NAME



THIS DOCUMENT IS THE SOLE PROPERTY OF BBJconn Technology Co.,Ltd. Corporation AND SHOULD NOT BE USED IN WHOLE OR IN PART WITHOUT PRIOR WRITTEN PERMISSION.

PDWG.NO: 0470-1

深圳市步步精科技有限公司

NAME: TYPE-C 24P 母座 L=9.10 CH=2.20 板上六脚插 双壳 端子双排SMT

PJ. NO.: UC.01.52-1W-0050

SIZE: A4 DRW NO.:

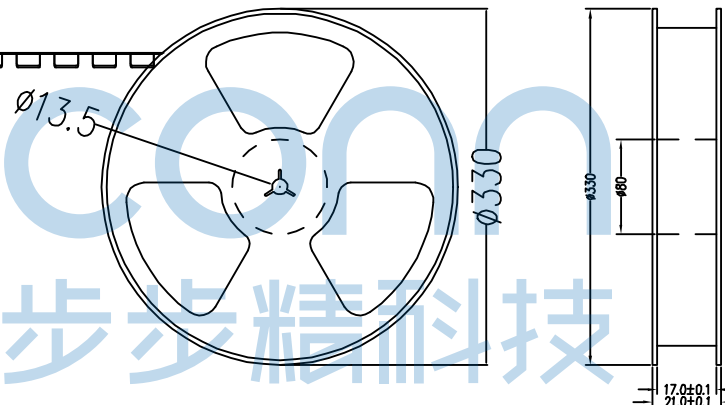
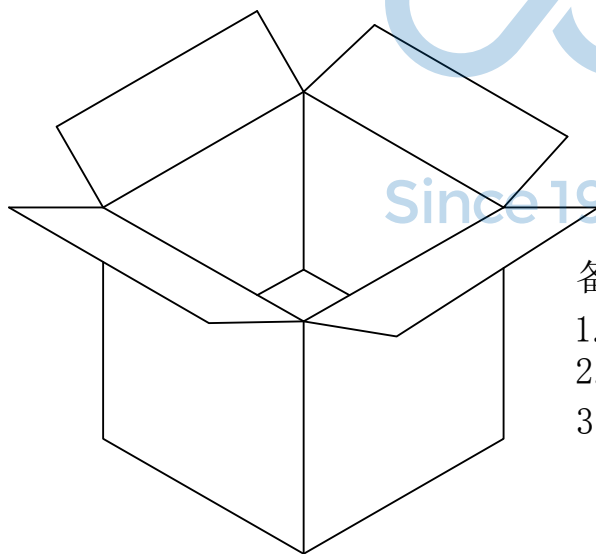
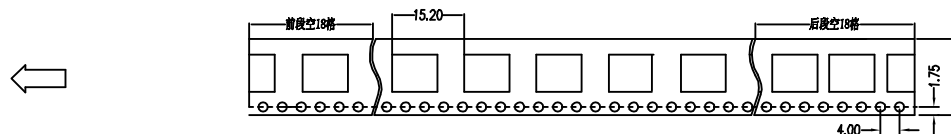
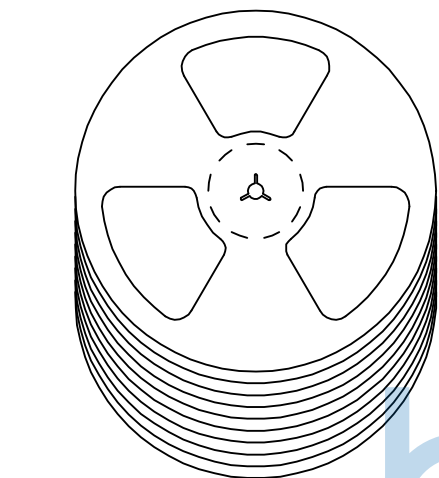
FINISH: SEE NOTES MAT'L.: SEE NOTES

SCALE: N/A REV.: A0 UNIT: mm PAGE: 1/2

APPD. JM\_Zheng

CHKD. LYX

DR. TSP



备注:

1. 包装数量: 700/PCS/卷, 10卷/箱。
2. 包装袋长度: 每卷前后各空10-20个空格, 中间包装。
3. 材质:  
载体: 聚丙烯 (PS),  
上带: 聚乙烯 (PET),  
卷盘: 聚苯乙烯。

纸箱规格: 345\*345\*23MM

纸箱规格: 345\*345\*35MM

THIS DOCUMENT IS THE SOLE PROPERTY OF BBJconn Technology Co.,Ltd. Corporation AND SHOULD NOT BE USED IN WHOLE OR IN PART WITHOUT PRIOR WRITTEN PERMISSION.		深圳市步步精科技有限公司 .X: ±0.38    .X': ±3" .XX: ±0.25    .X'': ±2" .XXX: ±0.13    .XX': ±1"		NAME: TYPE-C 24P 母座 L=9.10 CH=2.20 板上六脚插 双壳 端子双排SMT	
APPD.	JM_Zheng	PJ. NO.: UC.01.52-1W-0050 SIZE: A4   DRW NO.:	FINISH: SEE NOTES    MAT'L.: SEE NOTES		
CHKD.	LYX		SCALE: N/A    REV.: A0    UNIT: mm    PAGE: 2/2		
PDWG.NO:	0470-1	DR.	TSP		