

REV	ECN NO	CONTENT	DATE	ENGINEER
A0		INITIAL RELEASE	/	LYX

SPECIFICATION:

- ELECTRICAL CHARACTERISTICS:
  - CURRENT RATING: 3A
  - TEMPERATURE RANGE: -40 °C ~ 85 °C
  - CONTACT RESISTANCE: 30 MILLIONHM MAX.
  - DIELECTRIC WITHSTANDING VOLTAGE: 100 VAC
  - INSULATION RESISTANCE: 100 MEGOHMS MIN.
- MECHANICAL CHARACTERISTICS
  - INSERTION FORCE: 5~20N
  - EXTRACTION FORCE: Initial:8~20N,ATER TEST 6~20N
  - DURABILITY:10,000CYCLES
- THE SHELL LENTH IS LESS THAN THE MINIMUM SPECIFIED BY THE USB TYPE C STANDARD.AS SUCH IS CANNOT INDEPENDENTLY BE GUARANTEED TO MEET ALL TYPE C MECHANICAL REQUIREMENTS.
- SALT SPRAY TEST: 48 H FOR SHELL

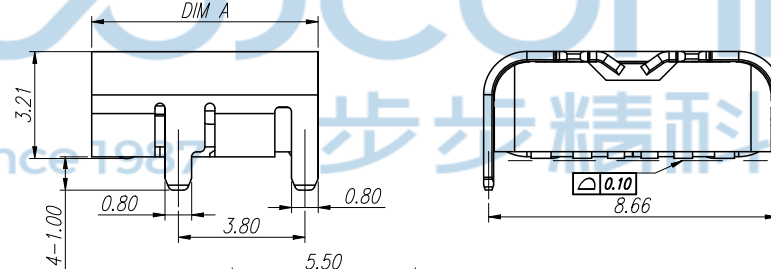
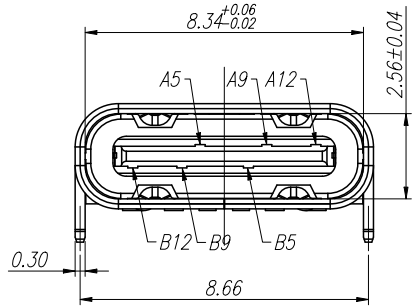
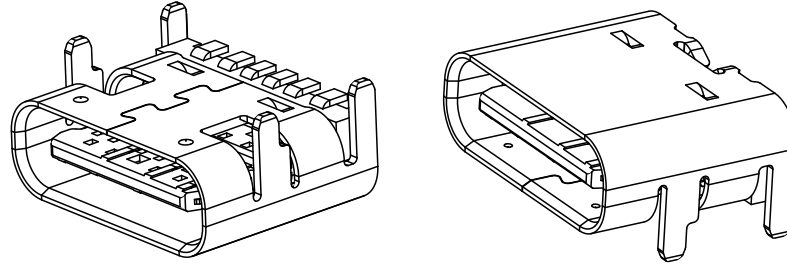
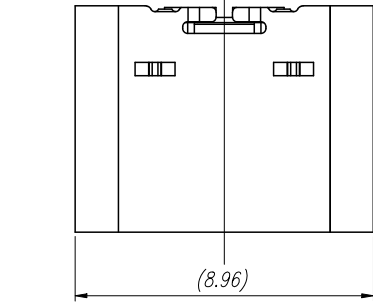
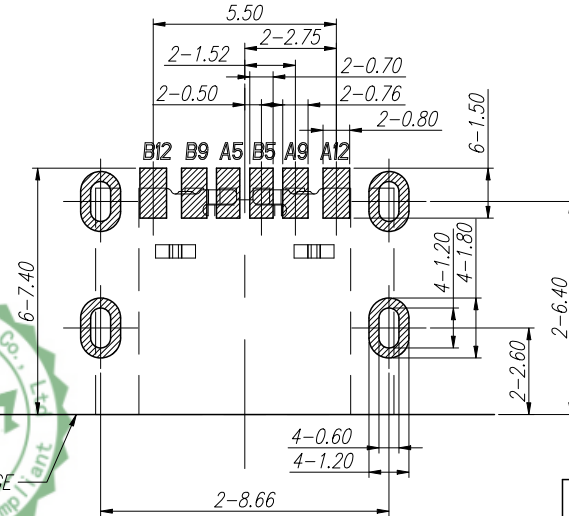
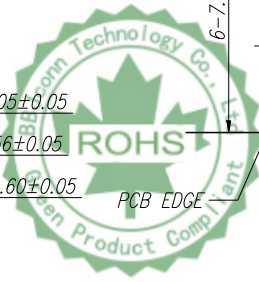
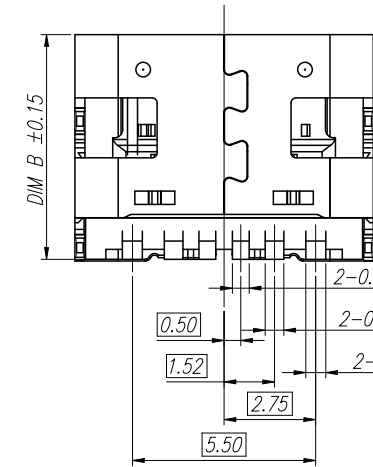


TABLE 1

DIM A	DIM B
6.80	6.75
6.50	6.45



P.C.B LAYOUT VIEW TOLERANCE ±0.05



TABLE A

NO.	DESCRIPTION	QTY.	MATERIAL	FINISHED
4	MID PLATE	1 PCS	SUS201	None
3	CONTACT	1 SET	C2680	Au & Ni Plated
2	MOLDING HOUSING	1 PCS	LCP	None
1	SHELL	1 PCS	SUS201	Ni Plated

THIS DOCUMENT IS THE SOLE PROPERTY OF BBJconn Technology Co.,Ltd. Corporation AND SHOULD NOT BE USED IN WHOLE PRIOR WRITTEN PERMISSION. PDWG NO:0851-1

**深圳市步步精科技有限公司**

NAME: TYPE-C 6P 母座 板上四脚插 带中夹片 端子SMT L=6.80 编带 战斗款

APPD: JM\_Zheng PJ NO: 126-221-060008-M3G

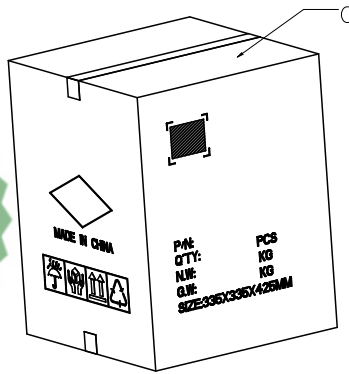
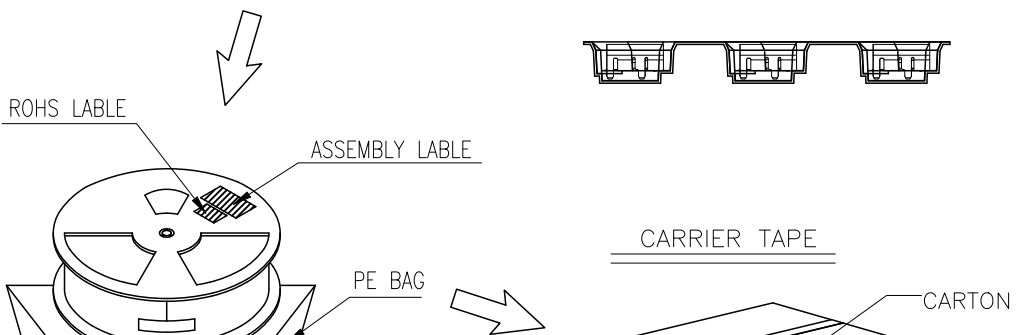
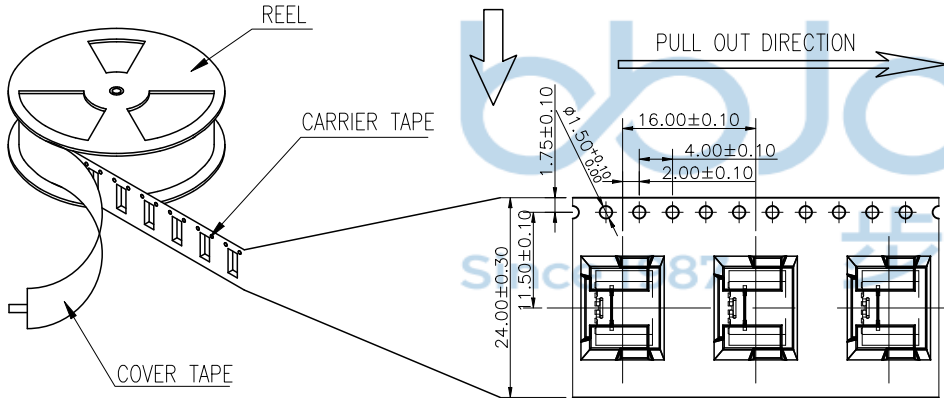
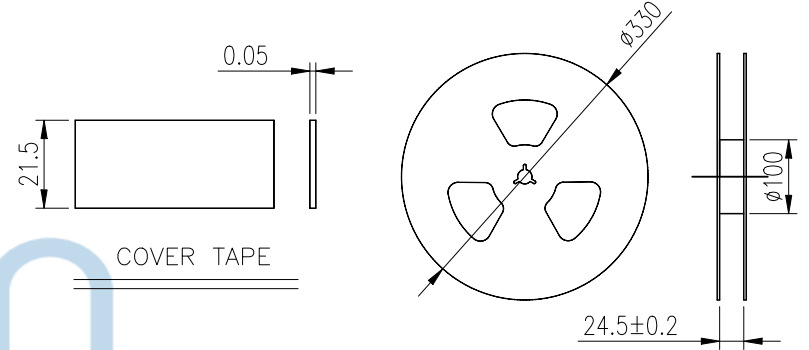
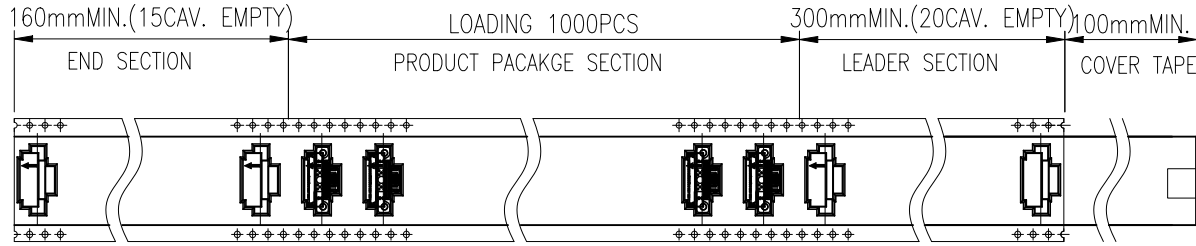
CHKD: Tang SIZE:A4 DRW NO:

FINISH:SEE NOTES MAT'L:SEE NOTES

DR: LYX SCALE:N/A REV:A0 UNIT:mm PAGE:1/2

PIN ASSIGNMENT												BLADE	SHELL
A1	A2	A3	A4	A5	A6	A7	A8	A9	A10	A11	A12		
GND	TX1+	TX1-	VBUS	CC1	D-	D+	SBU1	VBUS	RX2-	RX2+	GND		
GND	RX1+	RX1-	VBUS	SBU2	D-	D+	CC2	VBUS	TX2-	TX2+	GND	GND	GND
B12	B11	B10	B9	B8	B7	B6	B5	B4	B3	B2	B1		

REV	ECN NO	CONTENT	DATE	ENGINEER
A0		INITIAL RELEASE	/	LYX



- NOTES 2:
- MATERIAL:
    - 1.1 REEL AND AXLE: PS,BLUE
    - 1.2 CARRIER TAPE: PET, LUCID
    - 1.3 COVER TAPE: PS,TRANSPARENT
    - 1.4 SHIPPING CARTON: CORRUGATED FIBER
  - DIMENSION:
    - 2.1 REEL: W=24.5, φA=330
    - 2.2 CARRIER TAPE: T=0.30 W=24.0
    - 2.3 COVER TAPE: T=0.05 W=21.5
    - 2.4 SHIPPING CARTON: L=335mm, W=335mm, H=425mm
  - QUANTITY :
    - 3.1 PRIMAY PACKING: 1000PCS/REEL
    - 3.2 SECONDARY PACKING: 12 REELS/CARTON(12000PCS/CARTON)
  - PEELING RESISTANCE: 0.1~1.3N
    - 4.1 PEELING SPEED: 300mm/minutes
    - 4.2 PEELING ANGLE: 165° ~180°

THIS DOCUMENT IS THE SOLE PROPERTY OF BBJconn Technology Co.,Ltd. Corporation AND SHOULD NOT BE USED IN WHOLE PRIOR WRITTEN PERMISSION.	深圳市步步精科技有限公司 工程部		NAME: TYPE-C 6P 母座 板上四脚插 带中夹片 端子SMT L=6.80 编带 战斗款	
	APPD	JM_Zheng	PJ NO: 126-221-060008-M3G	SIZE:A4 DRW NO:
CHKD	Tang	FINISH:SEE NOTES		MAT'L:SEE NOTES
PDWG NO:0851-1	DR	LYX	SCALE:N/A	REV:A0 UNIT:mm PAGE:2/2