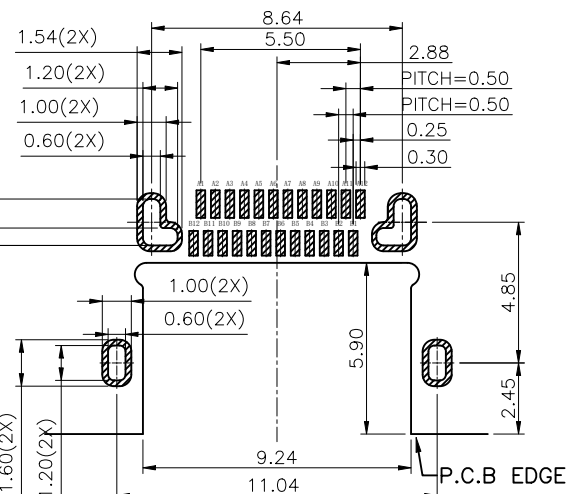
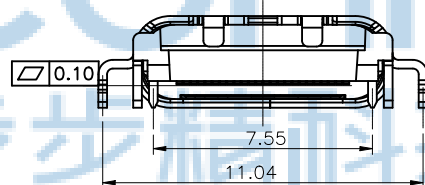
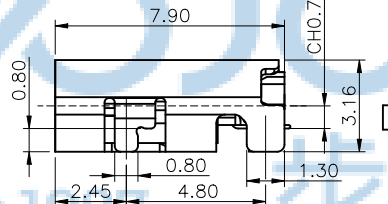
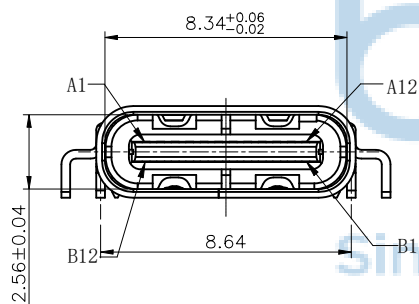
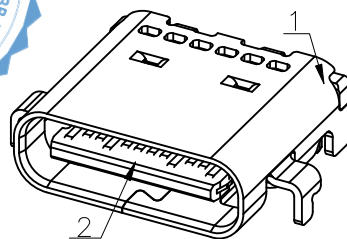
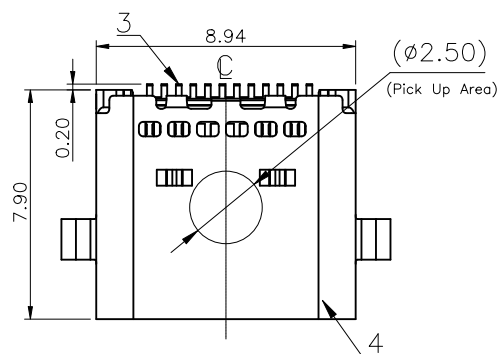




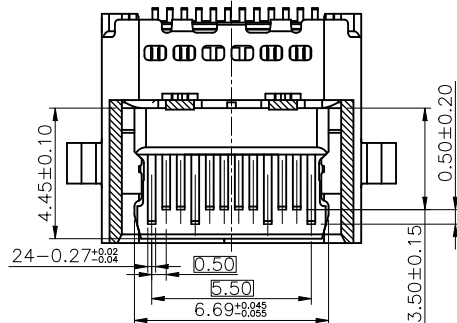
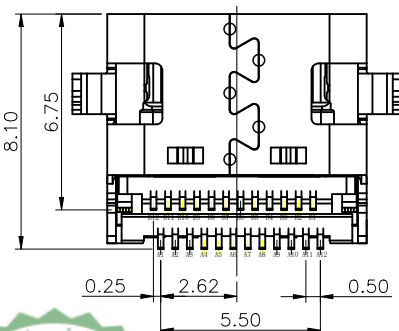
REV	ECN NO	CONTENT	DATE	ENGINEER
A0		INITIAL RELEASE	/	SGF

SPECIFICATION:

- ELECTRICAL CHARACTERISTICS:
 - CURRENT RATING: 5 A
 - TEMPERATURE RANGE: -40 °C ~ 85 °C
 - CONTACT RESISTANCE: 30 MILLIONHM MAX.
 - DIELECTRIC WITHSTANDING VOLTAGE: 100 VAC r.m.s
 - INSULATION RESISTNACE: 100 MEGOHMS MIN.
- MECHANICAL CHARACTERISTICS
 - INSERTION FORCE: 5~20N
 - EXTRACTION FORCE: Initial:8~20N,ATER TEST 6~20N
 - DURABILITY:10,000CYCLES
- THE SHELL LENTH IS LESS THAN THE MINIMUM SPECIFIED BY THE USB TYPE C STANDARD. AS SUCH IS CANNOT INDENOENTLY BE GUARANTEED TO MEET ALL TYPE C MECHANICAL REQUIREMENTS.



RECOMMENDED PCB LAYOUT(TOP VIEW)
THICKNESS 0.60MM;DEFAULT TOLERANCE:±0.05



PIN ASSIGNMENT			
Pin No.	Signal Name	Pin No.	Signal Name
A1	GND	B12	GND
A2	TX1+	B11	RX1+
A3	TX1-	B10	RX1-
A4	VBUS	B9	VBUS
A5	CC1	B8	SBU2
A6	D+	B7	D-
A7	D-	B6	D+
A8	SBU1	B5	CC2
A9	VBUS	B4	VBUS
A10	RX2-	B3	TX2-
A11	RX2+	B2	TX2+
A12	GND	B1	GND



Item	Description	QTY	Material	Finish
4	Shielding plate	1	SUS 301	Ni plating overall
3	Contact	24	C18400	Ni underplating overall, Au plating on the contact area, Gold Flash plating on the solder tail.
2	IM	1	LCP	UL94V-0, Black/White
1	Shell	1	SUS 304	Ni plating overall

THIS DOCUMENT IS THE
SOLE PROPERTY OF
BBJconn Technology Co.,Ltd.
Corporation AND SHOULD
NOT BE USED IN WHOLE
PRIOR WRITTEN PERMISSION.

PDWG NO: 0851-1

深圳市步步精科技有限公司

.X: ±0.38 X': ±3'
.XX: ±0.25 .X': ±2'
.XXX: ±0.13 .XX': ±1'

NAME: TYPE-C 24P 母座 L=7.90 CH=0.78 四脚插
沉板0.80 304外壳无弹 端子双排SMT 编带

APPD JM_Zheng

PJ NO: 126-221-240013-M3G

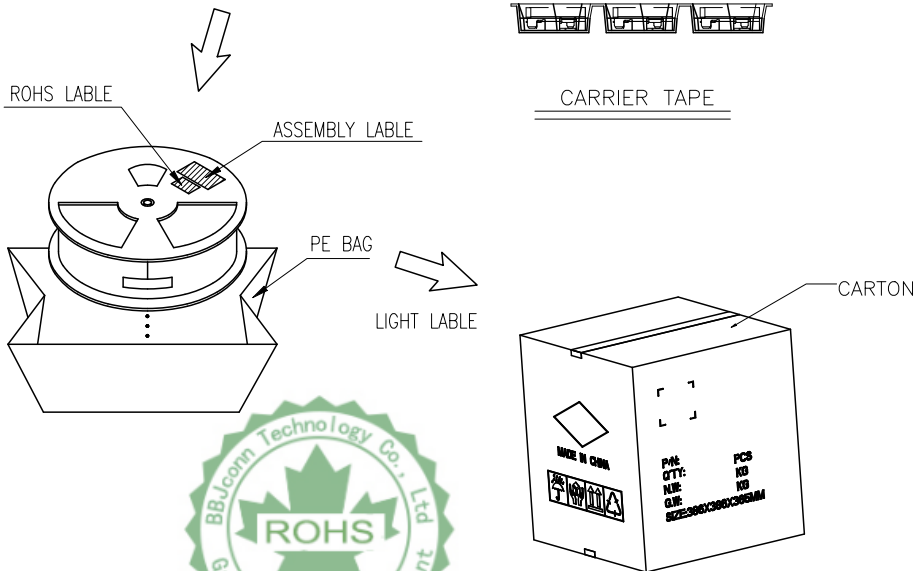
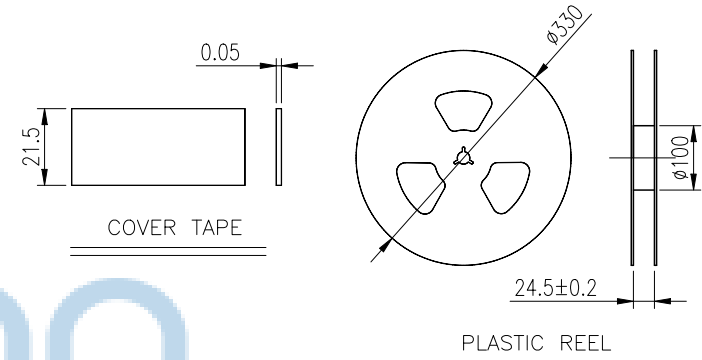
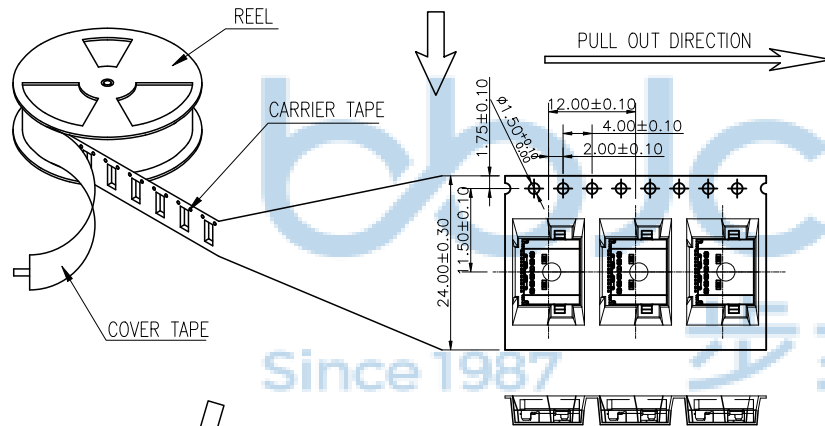
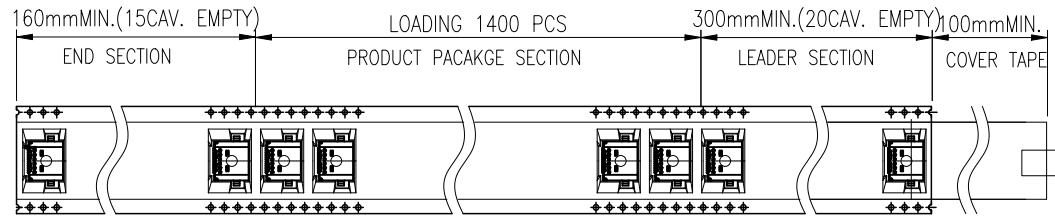
CHKD LYX

SIZE:A4 DRW NO:

DR SGF

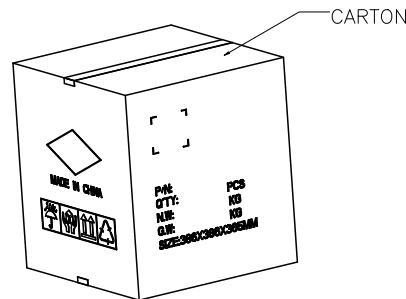
FINISH:SEE NOTES MAT'L:SEE NOTES
SCALE:N/A REV:A0 UNIT:mm PAGE:1/2

REV	ECN NO	CONTENT	DATE	ENGINEER
AO		INITIAL RELEASE	/	SGF



NOTES 2:

- MATERIAL:
 - REEL AND AXLE: PS,BLUE
 - CARRIER TAPE: PET, LUCID
 - COVER TAPE: PS,TRANSPARENT
 - SHIPPING CARTON: CORRUGATED FIBER
- DIMENSION:
 - REEL: W=24.5, øA=330
 - CARRIER TAPE: T=0.30 W=24.0
 - COVER TAPE: T=0.05 W=21.5
 - SHIPPING CARTON: L=335mm, W=335mm, H=365mm
- QUANTITY :
 - PRIMAY PACKING: 1400 PCS/REEL
 - SECONARY PACKING: 12 REELS/CARTON(16800 PCS/CARTON)
- PEELING RESISTANCE: 0.1~1.3N
 - PEELING SPEED: 300mm/minutes
 - PEELING ANGLE: 165° ~180°



THIS DOCUMENT IS THE SOLE PROPERTY OF BBJconn Technology Co.,Ltd. Corporation AND SHOULD NOT BE USED IN WHOLE PRIOR WRITTEN PERMISSION.		深圳市步步精科技有限公司	
PDWG NO: 0851-1		NAME: TYPE-C 24P 母座 L=7.90 CH=0.78 四脚插 沉板0.80 304外壳无弹 端子双排SMT 编带	
APPD	JM_Zheng	PJ NO: 126-221-240013-M3G	
CHKD	LYX	SIZE:A4 DRW NO:	
DR	SGF	FINISH:SEE NOTES MAT'L:SEE NOTES	
		SCALE:N/A REV:A0 UNIT:mm PAGE:2/2	