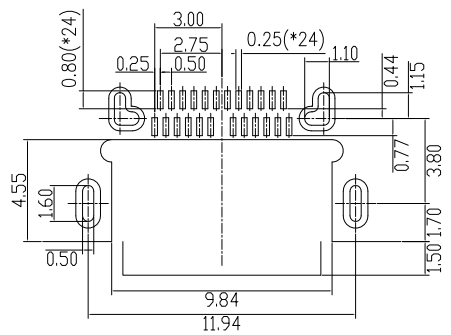
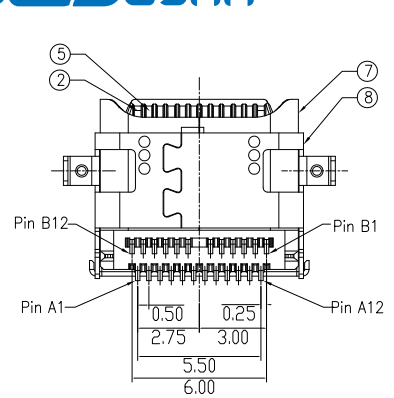




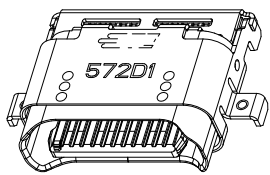
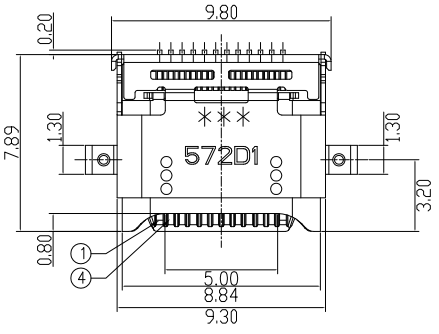
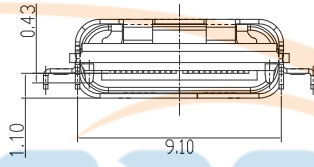
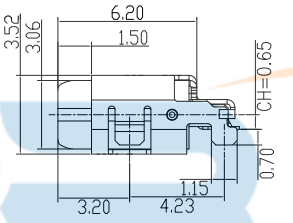
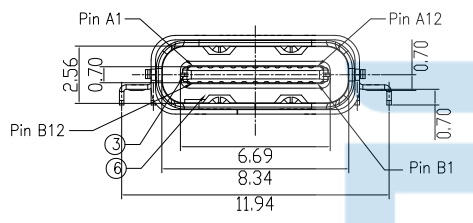
| REV. | DESCRIPTION | NAME | DATE |
|------|-------------|------|------|
| A | NEWS ISSUE | | |



RECOMMENDED P.C.B. LAYOUT



- NOTES:
SPECIFICATION:
- CURRENT RATING: 5.0A MAX
 - VOLTAGE: 100 VAC
 - TEMPERATURE RANGE: -30 ° C ~ 85 ° C
 - CONTACT RESISTANCE: 40 MILLIONHM MAX
 - INSULATION RESISTANCE: 100 MEGOHMS MIN.
 - INSERTION FORCE : 5N~20N
 - UNMATING FORCE: 8N~20N
 - DURABILITY: 10,000 CYCLES



| NO. | DESCRIPTION | MATERIAL | REMARKS | QTY |
|-----|--------------|--------------------------|--------------|------|
| 8 | SHELL COVER | STAINLESS STEEL | Ti/Ni Plated | 1PCS |
| 7 | SHELL | STAINLESS STEEL | Ni Plated | 1PCS |
| 6 | OVER MOLDING | HIGH TEMPERATURE PLASTIC | BLACK | 1PCS |
| 5 | TOP I/M | HIGH TEMPERATURE PLASTIC | BLACK | 1PCS |
| 4 | BOTTOM I/M | HIGH TEMPERATURE PLASTIC | BLACK | 1PCS |
| 3 | MID PLATE | STAINLESS STEEL | Ti/Ni Plated | 1PCS |
| 2 | CONTACT-B | COPPER ALLOY | Au/Ni Plated | 1SET |
| 1 | CONTACT-A | COPPER ALLOY | Au/Ni Plated | 1SET |

USB TYPE-C PIN ASSIGNMENTS

| PIN NUMBER | A1 | A2 | A3 | A4 | A5 | A6 | A7 | A8 | A9 | A10 | A11 | A12 |
|-------------|-----|--------|--------|------|------|-----|-----|------|------|--------|--------|-----|
| SIGNAL NAME | GND | SSTXp1 | SSTXn1 | VBUS | CC1 | Dp1 | Dn1 | SBU1 | VBus | SSRXn2 | SSRXp2 | GND |
| PIN NUMBER | B12 | B11 | B10 | B9 | B8 | B7 | B6 | B5 | B4 | B3 | B2 | B1 |
| SIGNAL NAME | GND | SSRXp1 | SSRXn1 | VBUS | SBU2 | Dn2 | Dp2 | CC2 | VBus | SSTXn2 | SSTXp2 | GND |

TOLERANCE UNSPECIFIED

X. ±0.50 X.* ±2°

.X ±0.30 .X.* ±1°

.XX ±0.10 .XX.* ±0.5°

.XXX ±0.05

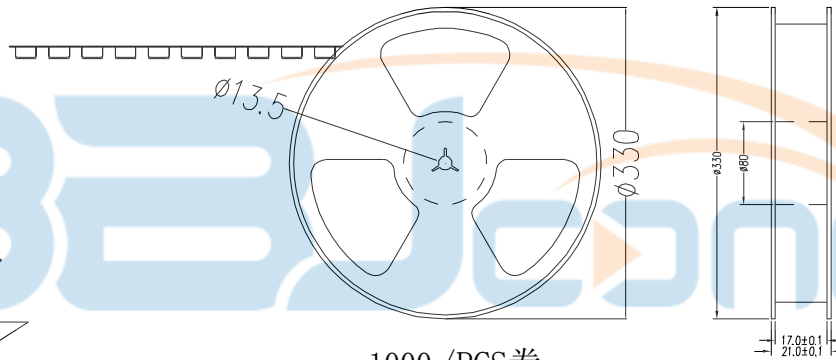
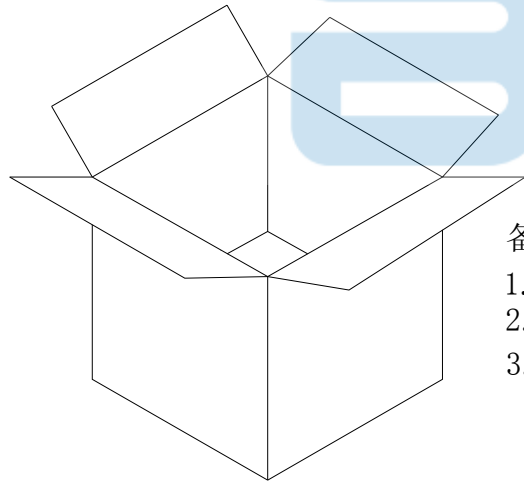
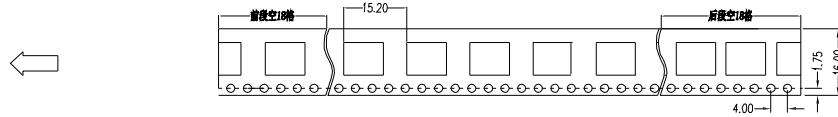
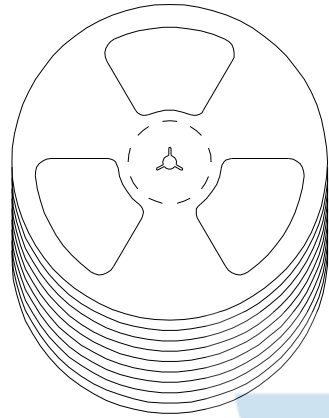
深圳市步步精科技有限公司

TITLE:
TYPE-C 24PIN母座 沉板1.1 四脚插板 双排SMT 缩口式 L=7.89mm CHO.65

| | | | | | | |
|----------------|--------|------------|----------|------------|------------------|----------|
| DRAWN/ DATE | 设计 TSP | SIZE:A4 | UNIT:MM. | PART. NO: | UC.01.32-1W-0014 | |
| CHECKED/ DATE | 审核 LYX | SCALE: 1:1 | | PROJECTION | | REV.: 版本 |
| APPROVED/ DATE | 核准 LJP | DWG. PATH | 0482-1 | | SHEET: 页码 | |



| REV. | DESCRIPTION | NAME | DATE |
|------|-------------|------|------|
| A | NEWS ISSUE | | |



1000 / PCS 卷

备注:

1. 包装数量: 1000 / PCS / 卷, 10 卷 / 箱或 15 卷 / 箱。
2. 包装袋长度: 每卷前后各空 10-20 个空格, 中间包装。

3. 材质:

载体: 聚丙烯 (PS), 阻抗 $10^{6-9} \Omega$

上带: 聚乙烯 (PET), 阻抗 $10^{6-11} \Omega$

卷盘: 聚苯乙烯。

纸箱规格: 345*345*23MM

纸箱规格: 345*345*35MM

| TOLERANCE UNSPECIFIED | | 深圳市步步精科技有限公司 | | | |
|-----------------------|-----------|---|------------|-----------|------------------|
| .0 | ±0.35 | TITLE: TYPE-C 24PIN母座 沉板1.1 四脚插板 双排SMT 缩口式 L=7.89mm CHO.65 | | | |
| .00 | ±0.25 | | | | |
| .000 | ±0.15 | | | | |
| X. ° | ±2.00° | | | | |
| CUSTOMER DRAWING | | | | | |
| DRAWN/ DATE | 设计 TSP | SIZE: A4 | UNIT: MM. | PART. NO: | UC.01.32-1W-0014 |
| CHECKED/ DATE | 审核 LYX | SCALE: 1:1 | PROJECTION | REV.: 版本 | |
| APPROVED/ DATE | 核准 LJP | DWG. PATH | 0482-1 | | SHEET: 页码 |