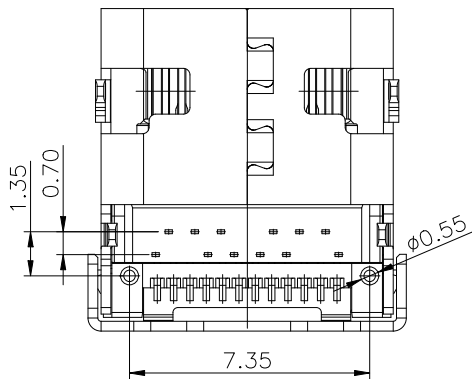
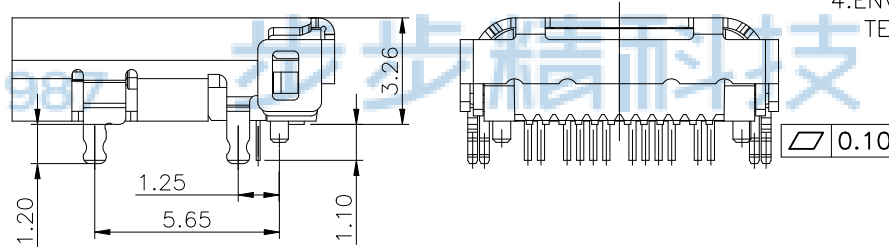
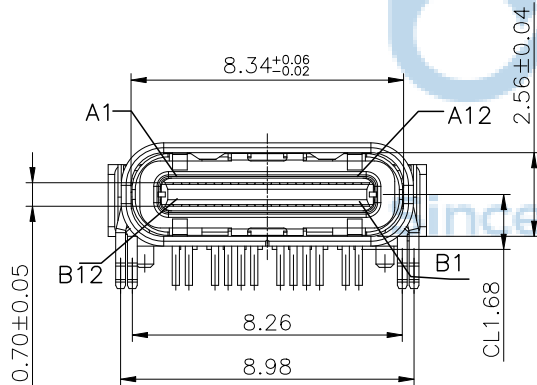
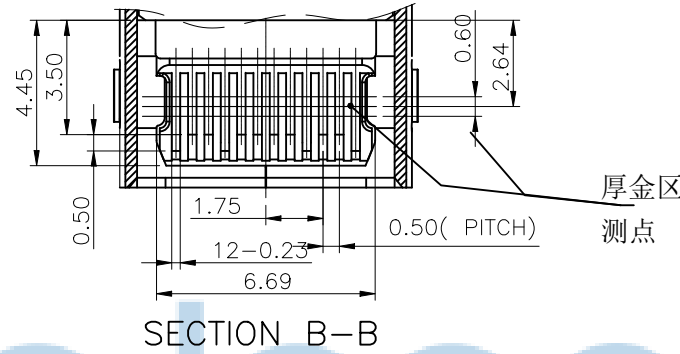
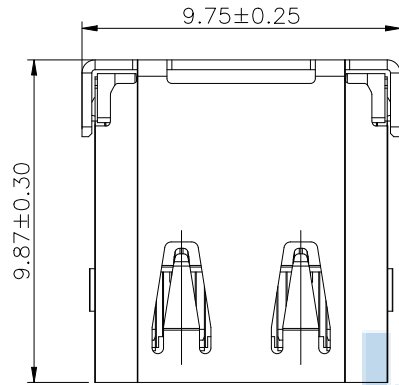


REV	ECN NO	CONTENT	DATE	ENGINEER
A0		INITIAL RELEASE	/	SGF

NOTES:

- MATERIAL:
 - MOLDING: LCP UL94 V-0
 - CONTACT: COPPER ALLOY.
 - PLATED GOLD ON CONTACT AREA,
 - G/F GOLD ON SOLDER AREA,
 - 50u" NICKEL PLATING OVER ALL.
 - OUTER SHELL: SUS304, T=0.20±0.03mm
 - 30u" NICKEL SOLDER AREA TAIL
 - EMI SHILD: SUS304-H, T=0.12±0.03mm
 - LATCH: SUS301, T=0.15±0.03mm
- MECHANICAL:
 - INSERTION: 5~20N.
 - EXTRACTION: 8~20N.
 - DURABILITY: 10000 CYCLES
- ELECTRICAL:
 - CURRENT: 5A MAX FOR VBUS;
 - 1.25A FOR GND, 0.25A FOR OTHER OTHER.
 - VOLTAGE: 20VDC MAX
 - WITHSTANDING VOLTAGE: 100V AC.
 - CONTACT RESISTANCE: 40mΩ MAX.
 - INSULATION RESISTANCE: 100MΩ MIN.
- ENVIRONMENTAL
 - TEMPERATURE RANGE -40°C ~ +85°C



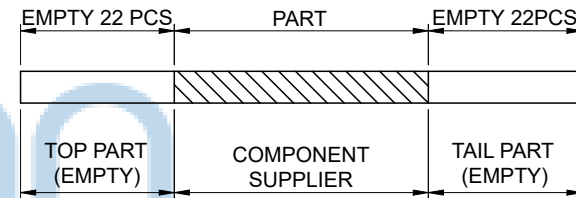
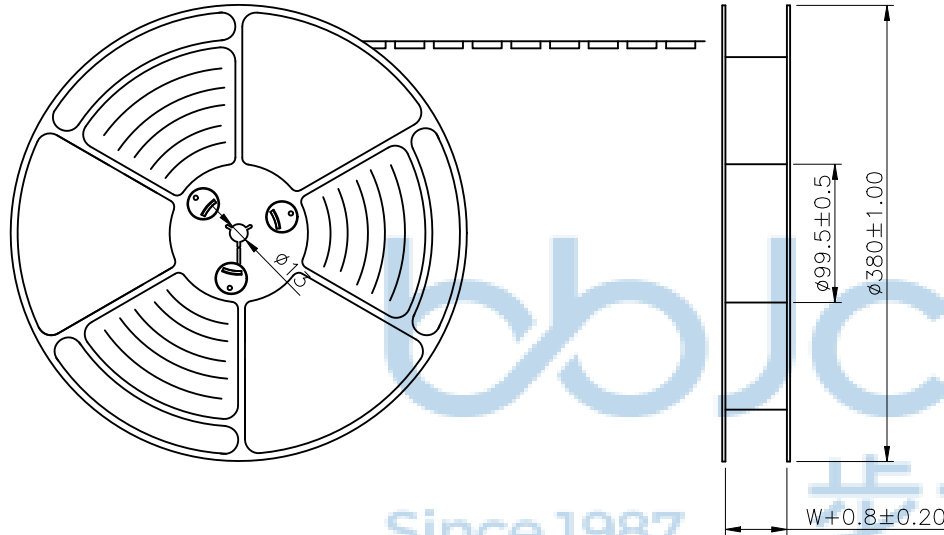
THIS DOCUMENT IS THE SOLE PROPERTY OF BBJconn Technology Co., Ltd. Corporation AND SHOULD NOT BE USED IN WHOLE PRIOR WRITTEN PERMISSION.		深圳市步步精科技有限公司	
.X: ±0.38 .XX: ±0.25 .XXX: ±0.13		X': ±3' X'': ±2' XX': ±1'	
APPD	JM_Zheng	NAME: U4 40G速率 TYPE-C 24P 母座 板上四脚插 带柱7.20 间距 外壳带弹 端子SMT+DIP L=9.87 CH=1.73 B款	
CHKD	LYX	PJ NO: UC.01.52-1W-0048	SIZE: A4 DRW NO:
PDWG NO: 0228-1	DR	SGF	FINISH: SEE NOTES MAT'L: SEE NOTES
			SCALE: N/A REV: A0 UNIT: mm PAGE: 1/4

出料方向
PULL OUT DIRECTEON

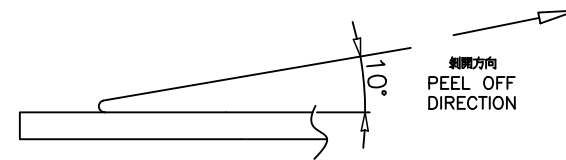
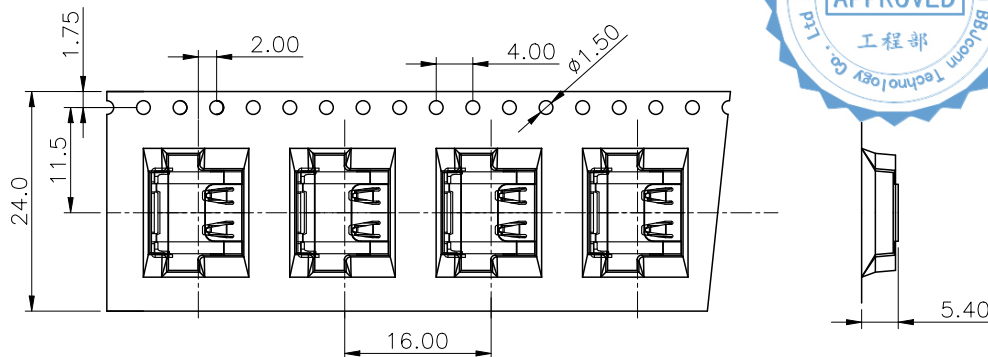
NOTES



- 帶子引導長度
LEAD TAPE LENGTH
出料方向
PULL OUT DIRECTEON



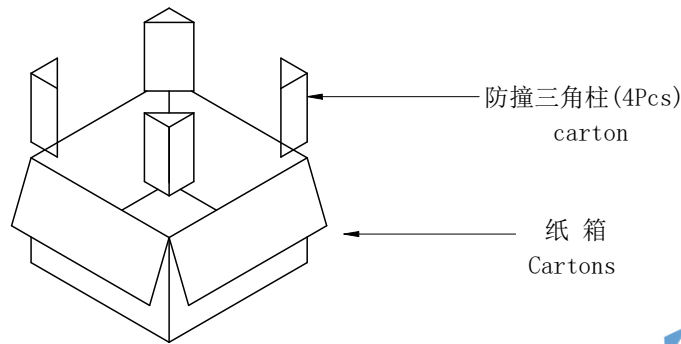
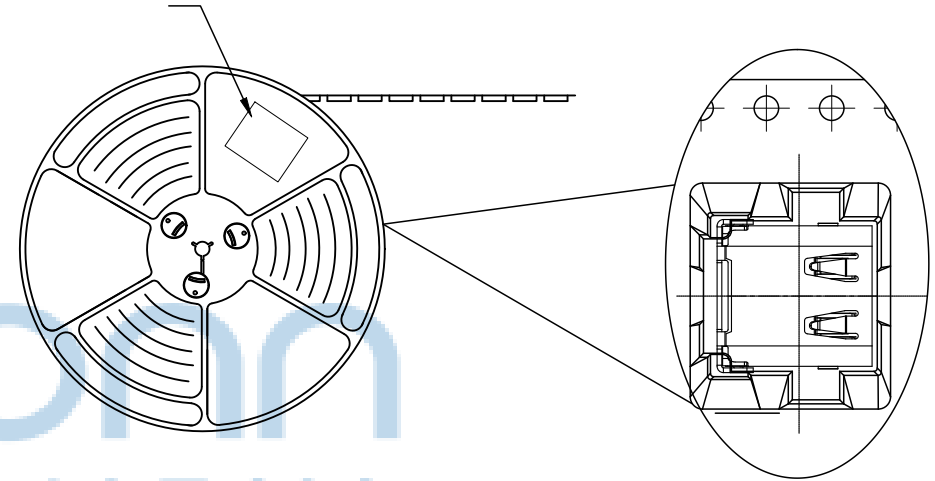
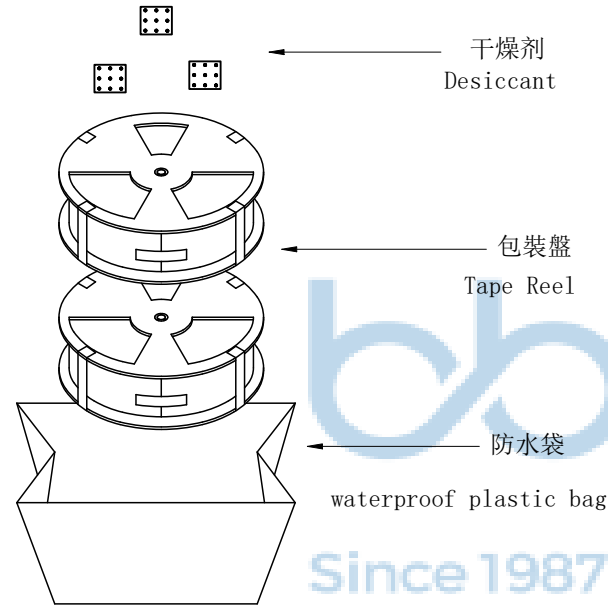
- 上帶 剝力力為: 0.1~1.3N(10.2gf~130gf)
PEELING OFF FORCE OF TOP TAPE: 0.1~1.3N(10.2gf~130gf)
出貨'運輸過程中一定注意:
THIS REQUIREMENT SHOULD BE APPLIED AT SHIPMENT:
卷帶在運輸過程中不能散開
PEELING OFF SHOULD NOT BE ALLOWED DURING TRANSPORTATION



THIS DOCUMENT IS THE SOLE PROPERTY OF BBJconn Technology Co.,Ltd. Corporation AND SHOULD NOT BE USED IN WHOLE PRIOR WRITTEN PERMISSION.	深圳市步步精科技有限公司 工程 部		NAME: U4 40G速率 TYPE-C 24P 母座 板上四脚插 带柱7.20 间距 外壳带弹 端子SMT+DIP L=9.87 CH=1.73 B款	
	APPD	JM_Zheng	PJ NO: UC.01.52-1W-0048	SIZE:A4 DRW NO:
PDWG NO: 0228-1	CHKD	LYX	FINISH:SEE NOTES SCALE:N/A	MAT'L:SEE NOTES REV:A0 UNIT:mm PAGE:3/4
	DR	SGF		

Label pasting location (facing the back of the circular hole
on the reel)
标签粘贴处(朝卷带圆孔反面)

Location of label sticking (label



NOTE:

1. 每卷包装数量及每箱装箱数量如左下表格。

Packing q'ty of each reel & carton as below table shown.

2. 以上膠帶覆蓋下包裝帶經包裝自粘方式封口

The above tape under the cover of the package by the package of cold-sealed way sealed.

3. 將裝滿產品的卷盤放入紙箱并以膠帶封口

Put reels in the carton and use adhesive tape to seal up.



THIS DOCUMENT IS THE
SOLE PROPERTY OF
BBJconn Technology Co.,Ltd.
Corporation AND SHOULD
NOT BE USED IN WHOLE
PRIOR WRITTEN PERMISSION.

bbJconn 深圳市步步精科技有限公司

.X: ±0.38 X': ±3'
.XX: ±0.25 .X': ±2'
.XXX: ±0.13 .XX': ±1'

NAME:U4 40G速率 TYPE-C 24P 母座 板上四脚插 带柱7.20
间距 外壳带弹 端子SMT+DIP L=9.87 CH=1.73 B款

APPD JM_Zheng

PJ NO: UC.01.52-1W-0048

CHKD LYX

SIZE:A4 DRW NO:

PDWG NO: 0228-1

FINISH:SEE NOTES MAT'L:SEE NOTES

DR SGF

SCALE:N/A REV:A0 UNIT:mm PAGE:4/4

包装数量(PACKING CAPACITY)			重量WEIGHT (Kg)		
PCS/REEL	REELS/CARTON	PCS/CARTON	N.W./PCS	N.W./BOX	G.W./BOX
1000	10	10000			