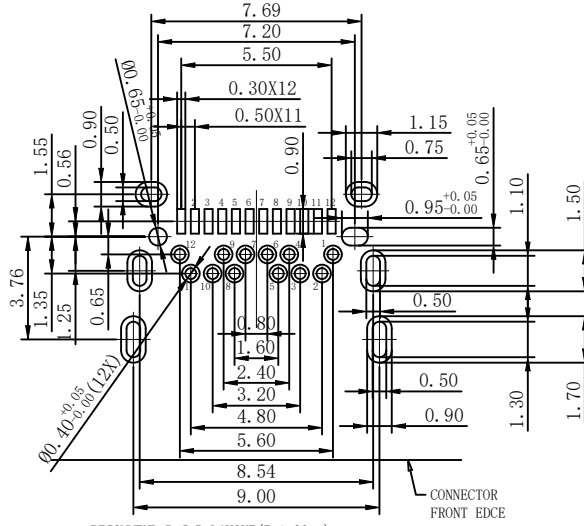
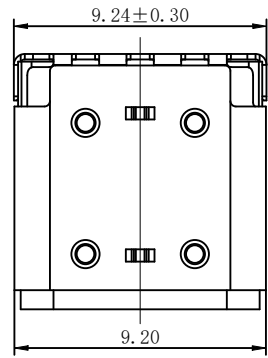


REV.	ECN NO.	CONTENT	DATE	ENGINEER
A0		Initial release	/	TSP



RECOMMEND P. C. B LAYOUT (T=1.00mm)  
TOLERANCE UNSPECIFIED ±0.05mm

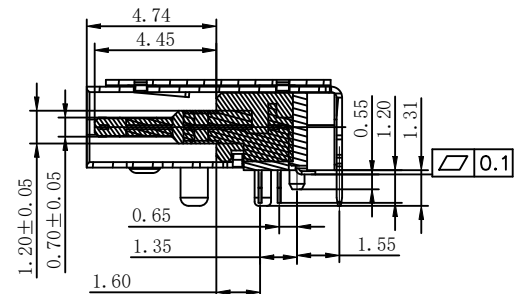
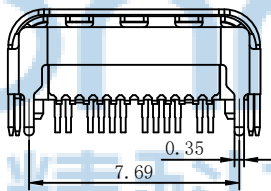
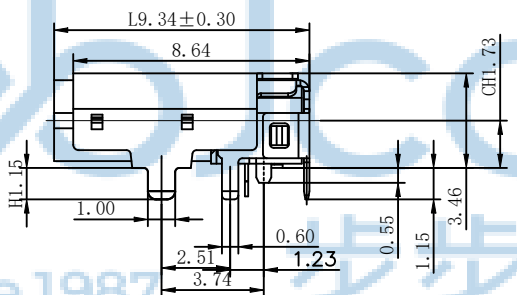
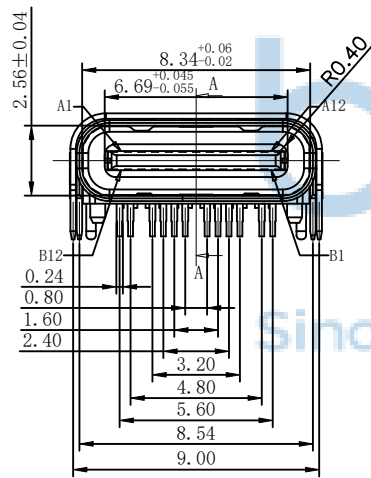
NOTE:  
1.MATERIAL:  
1.1 INSULATOR: HIGH TEMPERATURE PLASTIC LCP UL 94 V-0;  
1.2 CONTACT: COPPER ALLOY C7025  
1.3 SHELL:STAINLESS STEEL SUS304  
2.ELECTRICAL CHARACTERISTICS;  
2.1 CONTACT RESISTANCE: 40mΩ Max FOR INITIAL. 10mΩ CHANGE AFTER TEST. MEASURE AT 20mV, 100mA.  
2.2 CONTACT CURRENT RATING: 5A FOR VBUS PIN; 1.25A FOR VCONN PIN.  
2.3 DIELECTRIC WITHSTANDING VOLTAGE: 100V AC R.M.S.  
2.4 INSULATION RESISTANCE 100MΩ Min  
2.5 OPERATING TEMPERATURE: -25°C ~ 85°C  
3 MECHANICAL CHARACTERISTICS:  
3.1 MATING FORCE: 5~20 N.  
3.2 UNMATED FORCE: 8~20N AFTER TEST  
3.3 DURABILITY: 10,000 CYCLES  
4.PLATING  
4.1 TERMINAL CONTACT: GOLD PLATING 1u" ALL OVER 50u" Min NICKEL AND 80u"Min Tin ALL OVER 50u" Min NICKEL ON SOLDER AREA  
4.2 SHELL: 30u" Min. NICKEL ALL OVER,

B

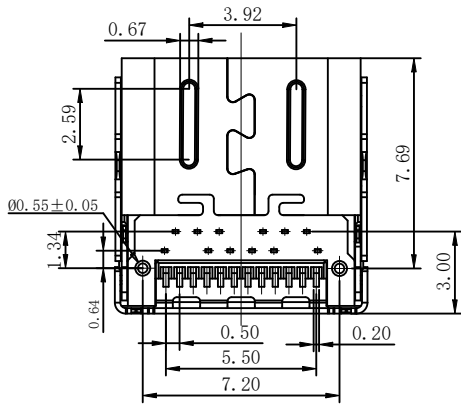
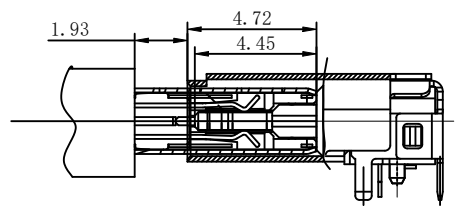
C

D

E



SECTION A-A  
SCALE 1:1



	A		B
1	GND	12	GND
2	TX1+	11	RX1+
3	TX1-	10	RX1-
4	VBUS	9	VBUS
5	CC1	8	SBU2
6	D+	7	D-
7	D-	6	D+
8	SBU1	5	CC2
9	VBUS	4	VBUS
10	RX2-	3	TX2-
11	RX2+	2	TX2+
12	GND	1	GND

THIS DOCUMENT IS THE SOLE PROPERTY OF BBJconn Technology Co.,Ltd. Corporation AND SHOULD NOT BE USED IN WHOLE OR IN PART WITHOUT PRIOR WRITTEN PERMISSION.  
PDWG.NO: 0469-2

深圳市步步精科技有限公司

NAME: TYPE-C 24P 母座 双壳 SMT+DIP 板上六脚插 端子脚长1.15 带柱 L=9.34 CH=1.73 编带

PJ. NO.: 126-223-240004-J6G  
SIZE: A4 DRW NO.:

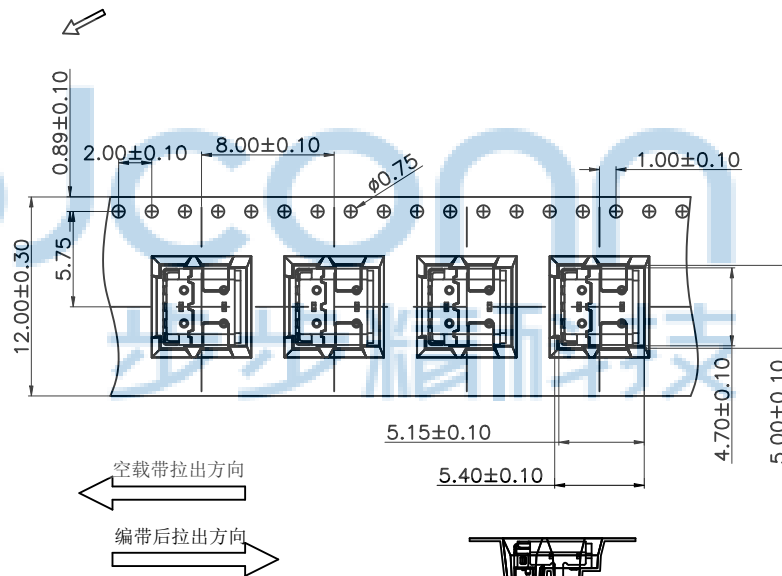
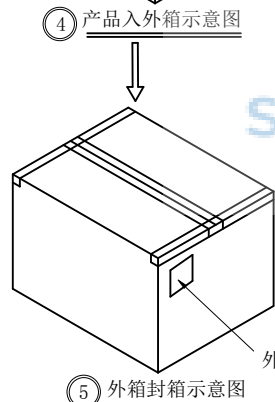
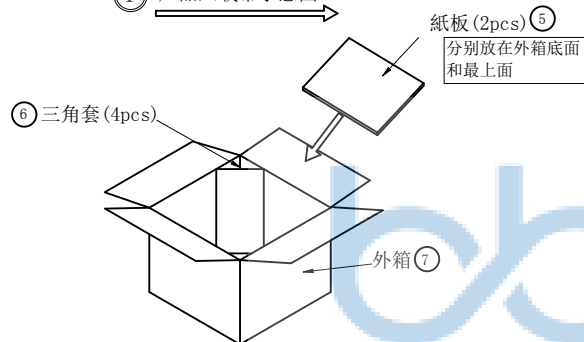
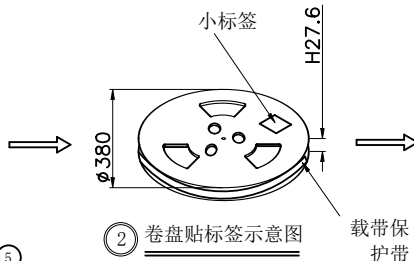
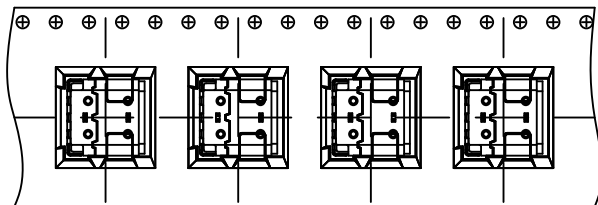
FINISH: SEE NOTES MAT'L: SEE NOTES  
SCALE: N/A REV.: A0 UNIT: mm PAGE: 1/2

APPD: JM\_Zheng  
CHKD: LYX  
DR: TSP

.X: ±0.38 X': ±3'  
.XX: ±0.25 .X': ±2'  
.XXX: ±0.13 .XX': ±1'

NOTE:

- QUANTITY/REEL:800 PCS  
數量/卷:800 PCS  
QUANTITY/INNER CARTON:800 X 10 = 8000 PCS  
數量/箱: 800 X 10 = 8000 PCS
- FREE 20 CAVE IN THE FRONT CARRIER AND FREE 20 CAVE IN THE END CARRIER.  
包裝帶內圈空20格, 外圈空20格.



1	成品		TYPE-C母座成品	800
2	CARRIER TAPE	PET	W=24mm T=0.30mm	16.7M
3	COVER TAPE	PET	W=13.3mm T=0.05mm	17.7M
4	小标签		L102mm*W59mm	10
5	卷盘	PS	∅380mm*H27.6mm	10
6	三角柱	SET	L102mm*W102mm	1
7	外标签	K=K	L300mm*W210mm	4
8	外箱	A=A	L400mm*W400mm*33.5mm	1
9	干燥剂			1
ITEM	DESC.	MATERIAL	REMARKS	QTY

THIS DOCUMENT IS THE SOLE PROPERTY OF BBJconn Technology Co.,Ltd. Corporation AND SHOULD NOT BE USED IN WHOLE OR IN PART WITHOUT PRIOR WRITTEN PERMISSION.		深圳市步步精科技有限公司 .X: ±0.38 .X': ±3" .XX: ±0.25 .X': ±2" .XXX: ±0.13 .XX': ±1"		NAME: TYPE-C 24P 母座 双壳 SMT+DIP 板上六脚插 端子脚长1.15 带柱 L=9.34 CH=1.73 编带 PJ. NO.: 126-223-240004-J6G SIZE: A4 DRW NO.: FINISH: SEE NOTES MAT'L.: SEE NOTES SCALE: N/A REV.: A0 UNIT: mm PAGE: 2/2	
APPD.	JM_Zheng	CHKD.	LYX	DR.	TSP
PDWG.NO:	0469-2				