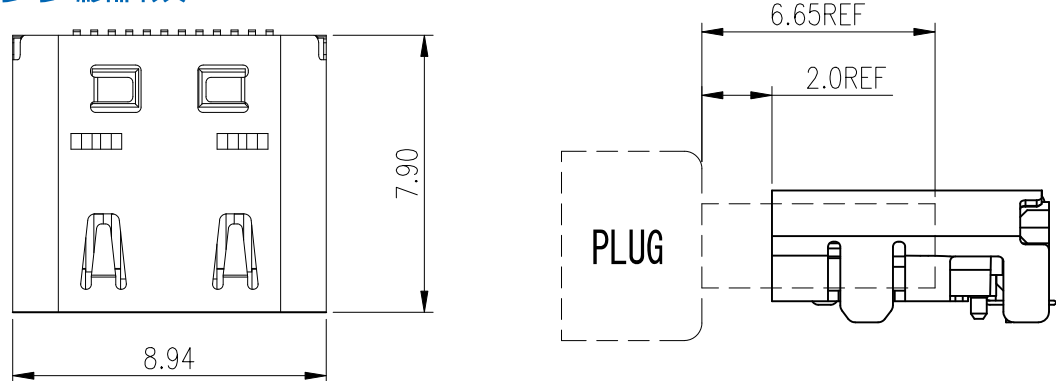


REV.	ECN NO.	CONTENT	DATE	ENGINEER
A0			2023 20/04	

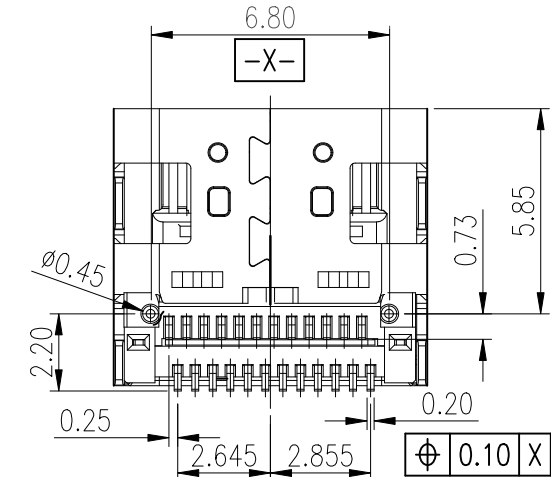
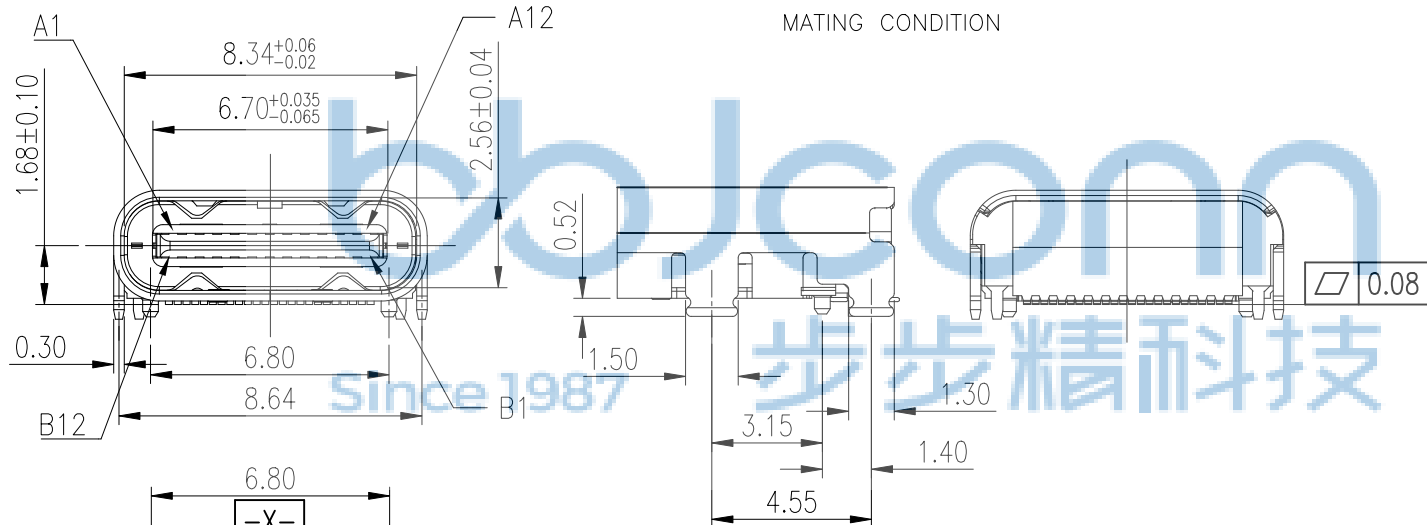
NOTE:

- MATERIAL SPECIFICATION:
 - HOUSING: HIGH TEMPERATURE RESISTANT PLASTIC, UL94 V-0 BLACK.
 - CONTACTS: C7025
 - SHIELDING PLATE: STAINLESS STEEL
 - FRONT SHELL: STAINLESS STEEL
- PLATING SPECIFICATION:
 - CONTACTS: Ni 50u" MIN. UNDER PLATED OVER ALL. Au PLATED ON THE FUNCTIONAL AREA OF CONTACT. (GOLD PLATING THICKNESS FOLLOW THE P/N)
 - FRONT SHELL: Ni 30u" MIN. UNDER PLATED OVER ALL.
- MECHANICAL PERFORMANCE,
 - INSERTION FORCE: 0.5~2.0kgf.
 - REMOVAL FORCE: 0.8kgf~2.0kgf.
 - DURABILITY: 10000 CYCLES.
- ELECTRICAL PERFORMANCE,
 - CURRENT RATING: 5.0A
VOLTAGE RATING: 5.0V
 - LLCR: VBUS & GND PINS AND OTHER PINS: 40m /PIN MAX. SHIELD: 50m /MAX. LLCR MAX. CHANGE OF ALL PINS: 10m .
 - INSULATION RESISTANCE: 100M MIN
 - DIELECTRIC WITHSTAND VOLTAGE, AC 100V FOR 1 MINUTE.
- ENVIRONMENTAL PERFORMANCE: OPERATING TEMPERATURE: -25°C~+85°C.
- IR REFLOW: THE PEAK TEMPERATURE ON THE BOARD SHALL BE MAINTAINED FOR 10 SECONDS AT 260°C.
- PART NUMBER CODE:



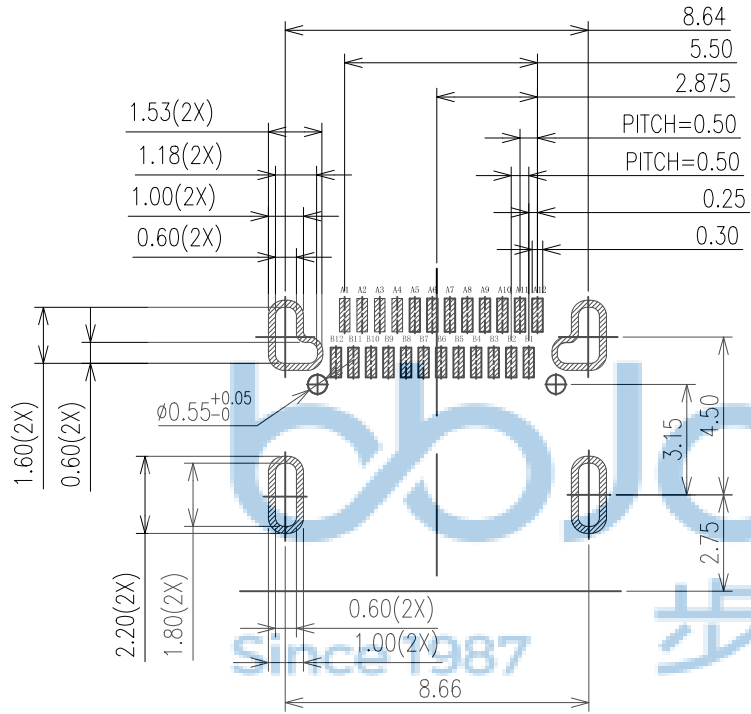
PLUG

MATING CONDITION

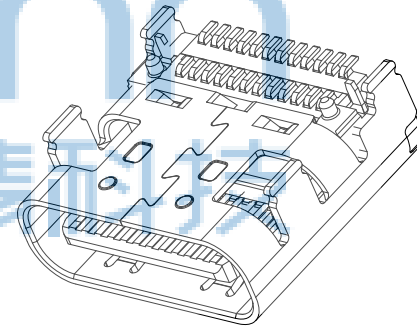
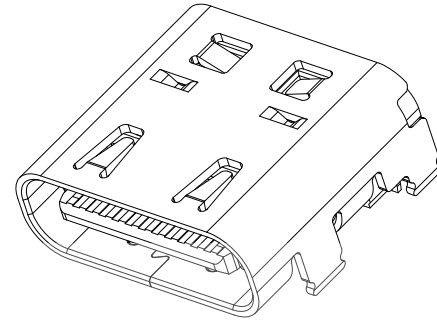


THIS DOCUMENT IS THE SOLE PROPERTY OF BBJconn Technology Co., Ltd. Corporation AND SHOULD NOT BE USED IN WHOLE OR IN PART WITHOUT PRIOR WRITTEN PERMISSION.		深圳市步步精科技有限公司 工程部部长		NAME: TYPE-C 24PIN 母座 L=7.90 CH=1.68 板上四脚插带柱 外壳带弹 端子双排SMT	
.X: ±0.38 .XX: ±0.25 .XXX: ±0.13		X': ±3' X'': ±2' X'X': ±1'		APPD. JM_Zheng 23/05'02	
PDWG.NO: 0469-2		DR. LYX 23/05'02		P.J. NO.: UC.01.52-1W-0045 SIZE: A4 DRW NO.:	
				FINISH: SEE NOTES MAT'L.: SEE NOTES	
				SCALE: N/A REV.: A3 UNIT: mm PAGE: 1/1	

REV.	ECN NO	CONTENT	DATE	ENGINEER
A0			2023 20/04	



RECOMMENDED PCB LAYOUT(TOP VIEW)
THICKNESS 0.60MM;DEFAULT TOLERANCE:±0.05

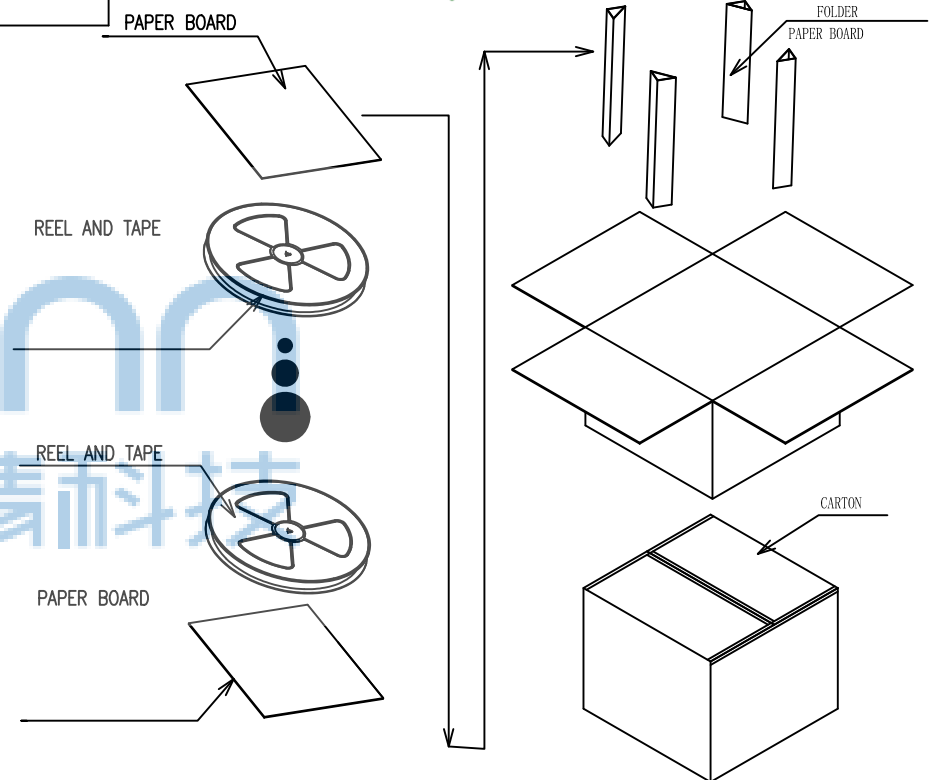
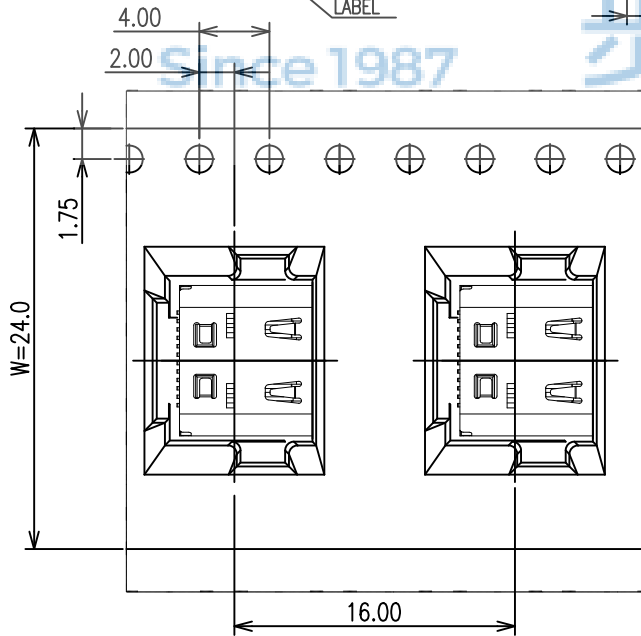
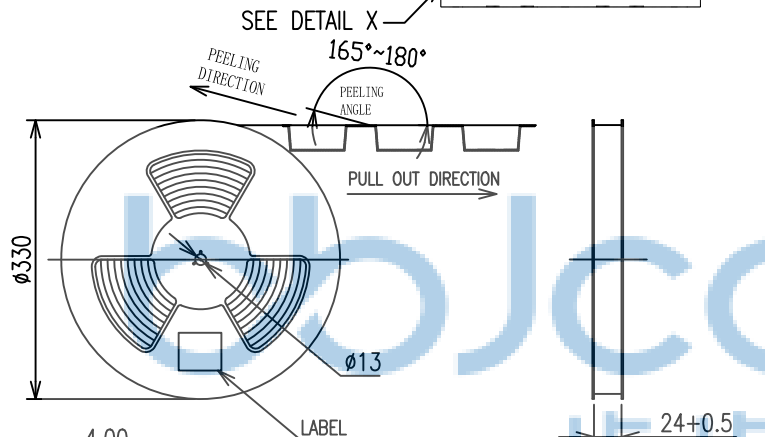
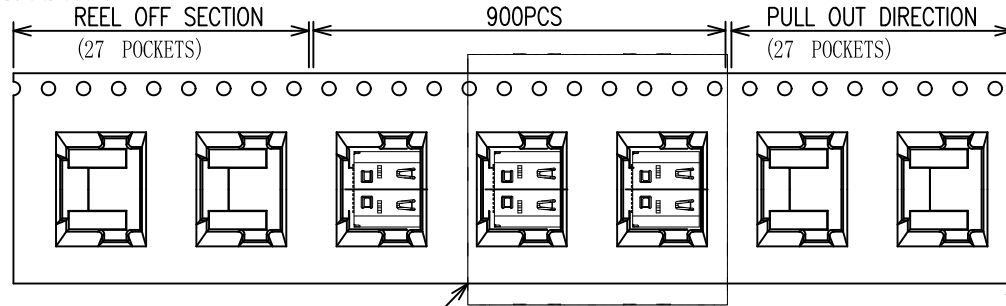


PIN ASSIGNMENTS

A1	A2	A3	A4	A5	A6	A7	A8	A9	A10	A11	A12
GND	TX1+	TX1-	VBUS	CC1	D+	D-	RFU1	VBUS	RX2-	RX2+	GND
GND	RX1+	RX1-	VBUS	SBU2	D-	D+	CC2	VBUS	TX2-	TX2+	GND
B12	B11	B10	B9	B8	B7	B6	B5	B4	B3	B2	B1

THIS DOCUMENT IS THE SOLE PROPERTY OF BBJconn Technology Co.,Ltd. Corporation AND SHOULD NOT BE USED IN WHOLE OR IN PART WITHOUT PRIOR WRITTEN PERMISSION.		深圳市步步精科技有限公司	
.X: ±0.38 .XX: ±0.25 .XXX: ±0.13		X': ±3' X'': ±2' .XX': ±1'	
APPD. JM_Zheng 23/05'02		NAME: TYPE-C 24PIN 母座 L=7.90 CH=1.68 板上四脚插带柱 外壳带弹 端子双排SMT	
CHKD. TSP 23/05'02		P.J. NO.: UC.01.52-1W-0045	
PDWG.NO: 0469-2		SIZE: A4 DRW NO.:	
DR. LYX 23/05'02		FINISH: SEE NOTES MAT'L.: SEE NOTES	
		SCALE: N/A REV.: A3 UNIT: mm PAGE: 1/1	

REV.	ECN NO.	CONTENT	DATE	ENGINEER
AO			2023/20/04	



THIS DOCUMENT IS THE SOLE PROPERTY OF BBJconn Technology Co.,Ltd. Corporation AND SHOULD NOT BE USED IN WHOLE OR IN PART WITHOUT PRIOR WRITTEN PERMISSION. PDWG.NO: 0469-2		深圳市步步精科技有限公司	
.X: ±0.38 .XX: ±0.25 .XXX: ±0.13		X': ±3" .X': ±2" .XX': ±1"	
APPD. JM_Zheng	23/05'02	NAME: TYPE-C 24PIN 母座 L=7.90 CH=1.68 板上四脚插带柱 外壳带弹 端子双排SMT	
CHKD. TSP	23/05'02	P.J. NO.: UC.01.52-1W-0045	
DR. LYX	23/05'02	SIZE: A4 DRW NO.:	
FINISH: SEE NOTES		MAT'L.: SEE NOTES	
SCALE: N/A		REV.: A3	
UNIT: mm		PAGE: 1/1	