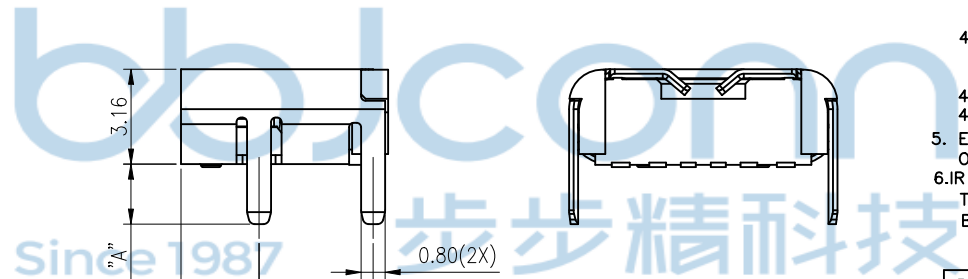
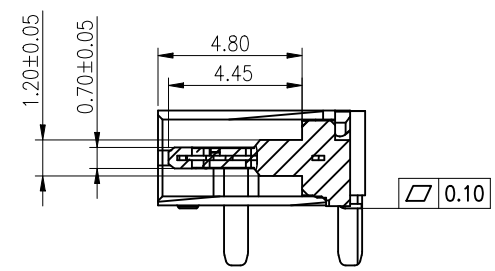
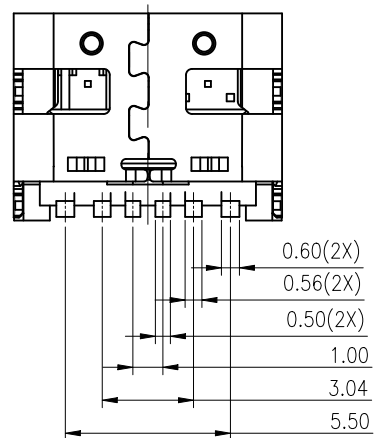
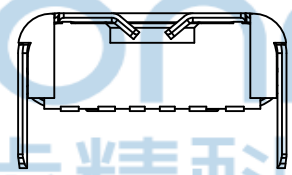
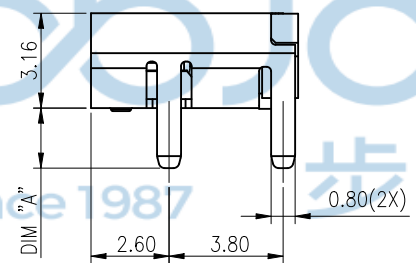
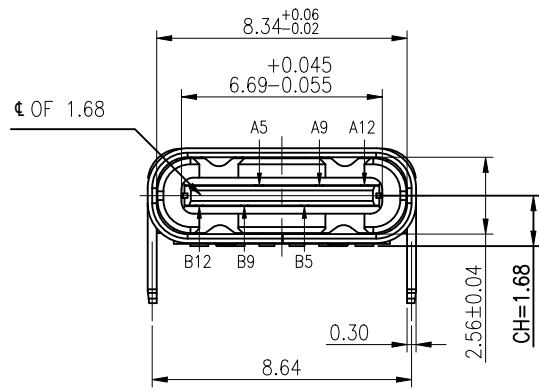
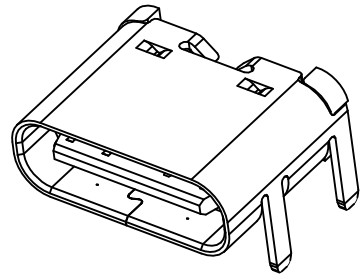
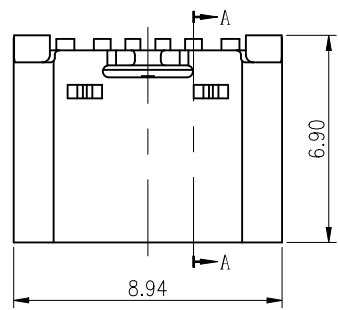


REV.	ECN NO	CONTENT	DATE	ENGINEER
A0			2023 20/04	

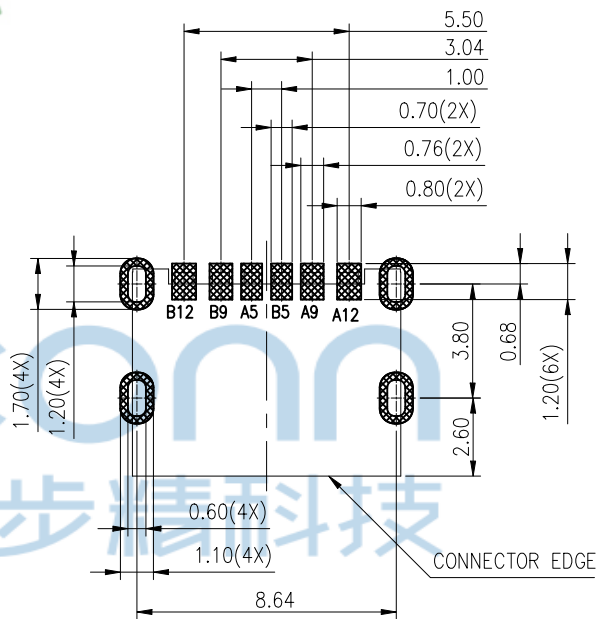
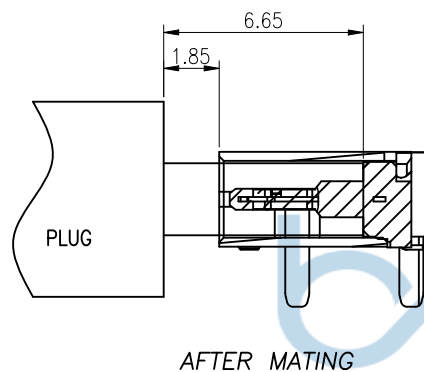
NOTE:
1.MATERIAL SPECIFICATION:
 1.HOUSING:HIGH TEMPERATURE RESISTANT PLASTIC,PA9T UL94 V-0 BLACK.
 2.TERMINAL: COPPER ALLOY C1815
 3.MID PLATE: STAINLESS STEEL SUS304
 4.FRONT SHELL: STAINLESS STEEL SUS304
2.PLATING SPECIFICATION:
 2-1.TERMINAL:
 Ni 50u" MIN. UNDER PLATED OVER ALL.
 Au 1u" ON THE FUNCTIONAL AREA OF CONTACT.
 (GOLD PLATING THICKNESS FOLLOW)
 PLATING SPECIFICATIONS OF THE SOLDER AREA FOLLOW
 2-2.FRONT SHELL:
 PLATING SPECIFICATIONS FOLLOW
 2-3.MID PLATE:
 CLEAR ONLY
3.MECHANICAL PERFORMANCE,
 3-1.INSERTION FORCE: 0.5~2.0kgf.
 3-2.REMOVAL FORCE: 0.8kgf~2.0kgf.
 3-3.DURABILITY: 10000 CYCLES.
4.ELECTRICAL PERFORMANCE,
 4-1. VOLTAGE RATING:5 V DC/AC (RMS. max)
 CURRENT RATING: SEE P/N;
 1.5AMPS MIN FOR VBUS PIN,
 0.25 AMPS. FOR ALL OTHER CONTACT.
 4-2. LLCR:
 VBUS & GND PINS AND OTHER PINS: 40ma/PIN MAX.
 LLCR MAX. CHANGE OF ALL PINS: 10ma.
 4-3.INSULATION RESISTANCE: 100MΩ MIN
 4-4.DIELECTRIC WITHSTAND VOLTAGE,AC 100V FOR 1 MINUTE.
5. ENVIRONMENTAL PERFORMANCE:
 OPERATING TEMPERATURE: -25°C~+85°C.
6.IR REFLOW:
 THE PEAK TEMPERATURE ON THE BOARD SHALL
 BE MAINTAINED FOR 10 SECONDS AT 260°C.



DIM "A"	=2.0mm
DIM "A"	=1.0mm



THIS DOCUMENT IS THE SOLE PROPERTY OF BBJconn Technology Co.,Ltd. Corporation AND SHOULD NOT BE USED IN WHOLE OR IN PART WITHOUT PRIOR WRITTEN PERMISSION. PDWG,NO: 0049-1	深圳市步步精科技有限公司 .X: ±0.38 .X': ±3" .XX: ±0.25 .X': ±2" .XXX: ±0.13 .XX': ±1"		NAME: TYPE-C 6P 母座 L=6.90 CH=1.68 板上 四脚插 外壳脚长2.0 端子SMT 接触镀金1u 编带	
			APPD. JM_Zheng 23/05'02 CHKD. LYX 23/05'02 DR. ZY 23/05'02	
	PJ. NO.: 126-241-060001-M8G SIZE: A4 DRW NO.:		FINISH: SEE NOTES MAT'L.: SEE NOTES	
	SCALE: N/A		REV.: A0	UNIT: mm



RECOMMENDED PCB LAYOUT(TOP VIEW)
DEFAULT TOLERANCE:±0.05

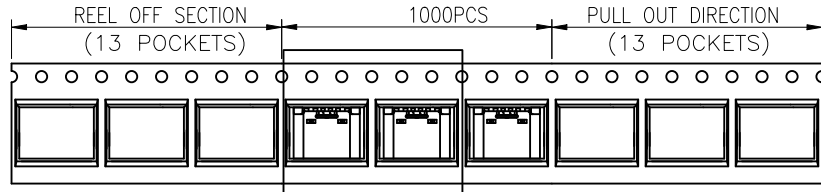


PIN ASSIGNMENTS

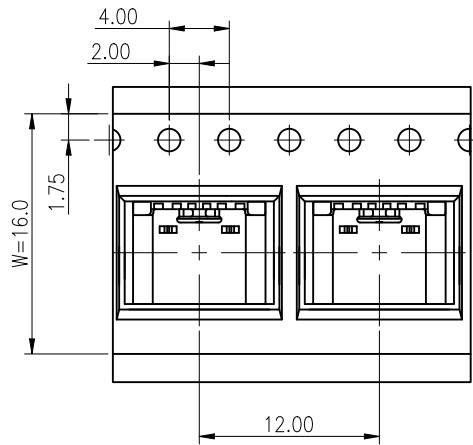
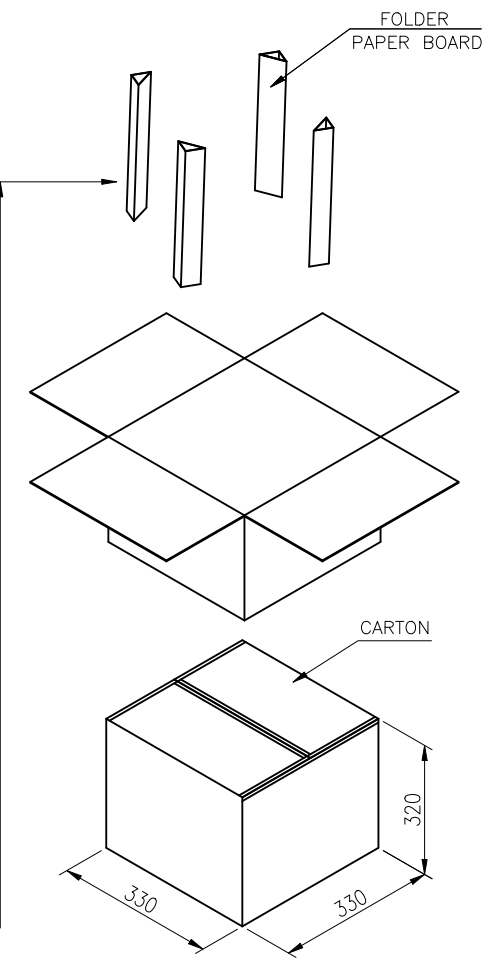
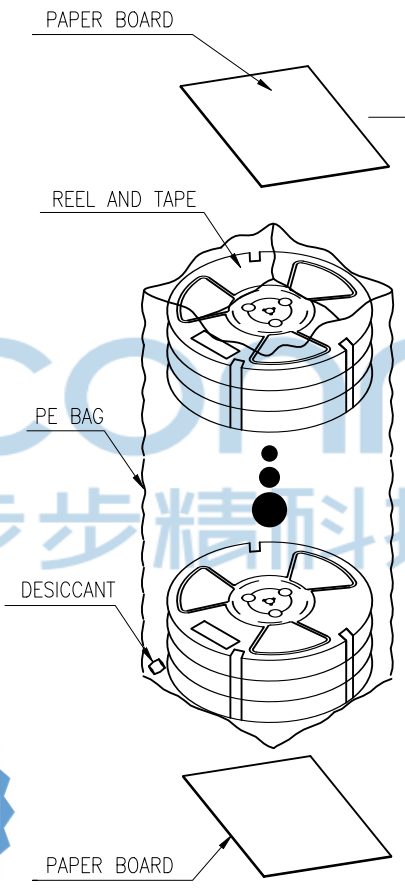
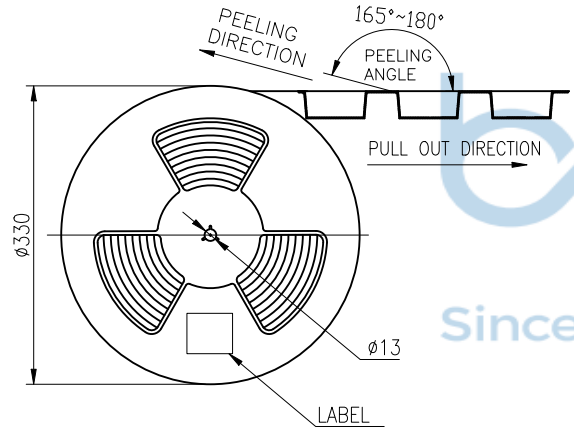
A5	CC1	B12	GND
A9	VBUS	B9	VBUS
A12	GND	B5	CC2
PIN	SIGNAL NAME	PIN	SIGNAL NAME

THIS DOCUMENT IS THE SOLE PROPERTY OF BBJconn Technology Co.,Ltd. Corporation AND SHOULD NOT BE USED IN WHOLE OR IN PART WITHOUT PRIOR WRITTEN PERMISSION.		深圳市步步精科技有限公司 .X: ±0.38 X': ±3* .XX: ±0.25 .X': ±2* .XXX: ±0.13 .XX': ±1*		NAME: TYPE-C 6P 母座 L=6.90 CH=1.68 板上 四脚插 外壳脚长2.0 端子SMT 接触镀金1u 编带	
APPD.	JM_Zheng	23/05'02		PJ. NO.: 126-241-060001-M8G	
CHKD.	LYX	23/05'02		SIZE: A4 DRW NO.:	
PDWG.NO:	0049-1	DR.	ZY	23/05'02	FINISH: SEE NOTES MAT'L.: SEE NOTES SCALE: N/A REV.: A0 UNIT: mm PAGE: 2/3

REV.	ECN NO	CONTENT	DATE	ENGINEER
A0			2023 20/04	



SEE DETAIL X



REEL OFF DIRECTION



	REEL	CARTON
CONNECTOR (PCS)	1000	10000

THIS DOCUMENT IS THE SOLE PROPERTY OF BBJconn Technology Co., Ltd. Corporation AND SHOULD NOT BE USED IN WHOLE OR IN PART WITHOUT PRIOR WRITTEN PERMISSION.

PDWG.NO: 0049-1

APPD. JM_Zheng 23/05/02
 CHKD. LYX 23/05/02
 DR. ZY 23/05/02

深圳市步步精科技有限公司
 .X: ±0.38 X': ±3"
 .XX: ±0.25 .X': ±2"
 .XXX: ±0.13 .XX': ±1"

NAME: TYPE-C 6P 母座 L=6.90 CH=1.68
 板上 四脚插 外壳脚长2.0 端子SMT 接触镀金1u 编带

PJ. NO.: 126-241-060001-M8G
 SIZE: A4 DRW NO.:

FINISH: SEE NOTES MAT'L.: SEE NOTES
 SCALE: N/A REV.: A0 UNIT: mm PAGE: 3/3