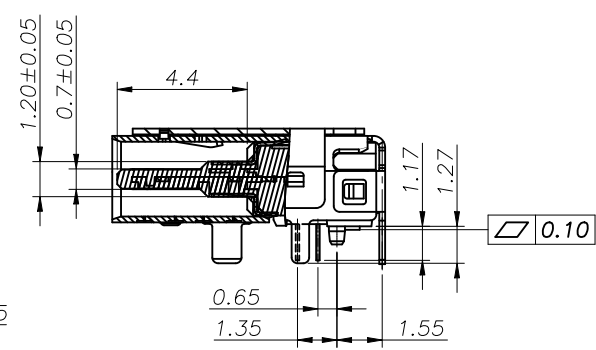
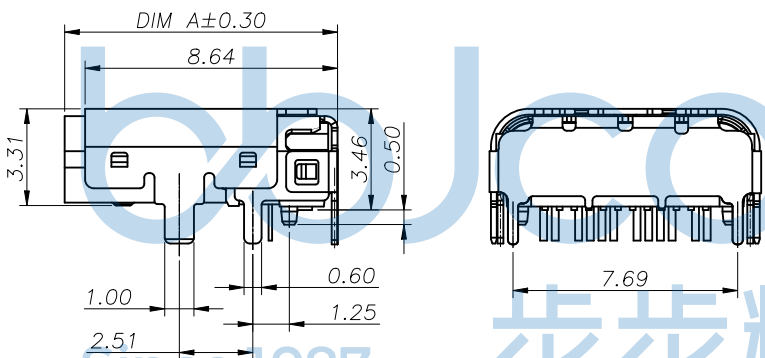
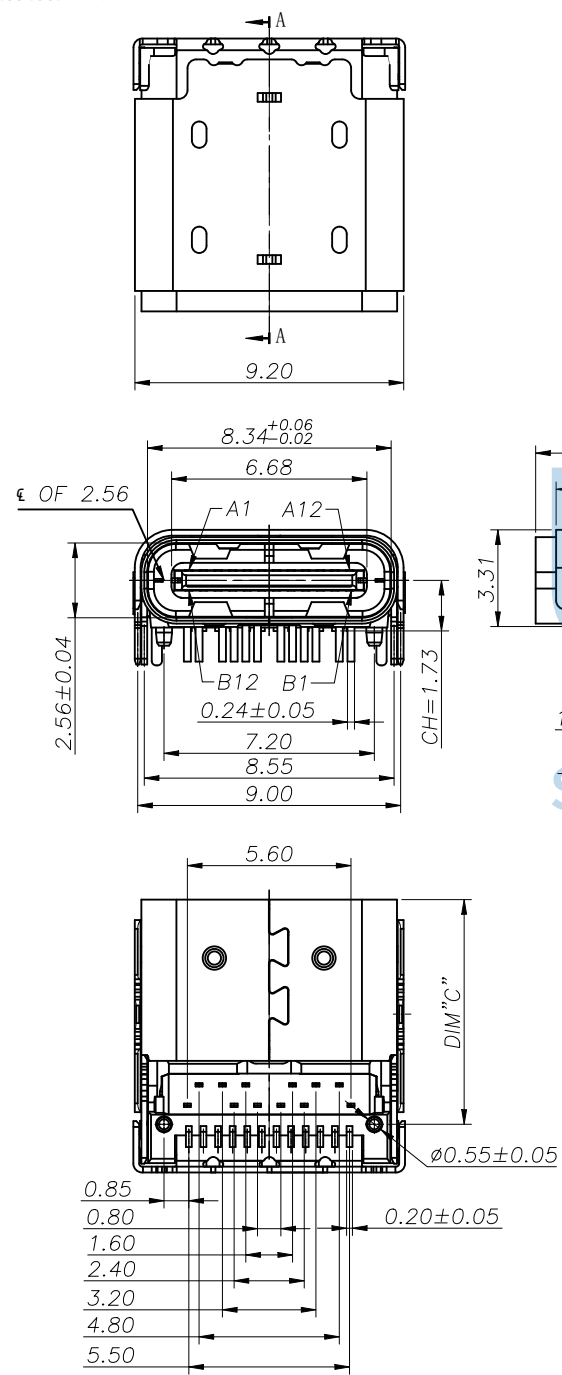
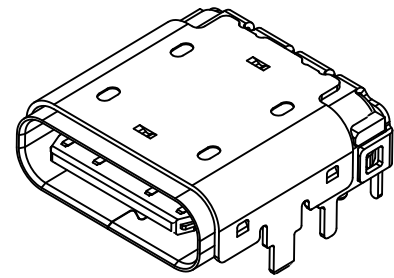


REV.	ECN NO.	CONTENT	DATE	ENGINEER
A0		Initial Release	/	ZY


NOTE:

- MATERIAL SPECIFICATION:
 - HOUSING: PA9T COLOR SEE TABLE 1, UL94 V-0.
 - CONTACTS: COPPER ALLOY C18150
 - MID PLATE & SPRING: STAINLESS STEEL (SUS301)
 - FRONT SHELL & COVER: STAINLESS STEEL (SUS304)
- PLATING SPECIFICATION:
 - CONTACTS:
 - Ni 50u" MIN. UNDER PLATED OVER ALL.
 - Au 30u" PLATED ON THE FUNCTIONAL AREA OF CONTACT
 - FRONT SHELL & COVER:
 - Ni 30u" MIN. UNDER PLATED OVER ALL.
 - MID PLATE & EMI SPRING:
 - CLEAR ONLY
- MECHANICAL PERFORMANCE,
 - INSERTION FORCE: 0.5~2.0kgf.
 - REMOVAL FORCE: 0.8kgf~2.0kgf.
 - DURABILITY: 10000 CYCLES.
- ELECTRICAL PERFORMANCE,
 - CURRENT RATING: 3.0A
VOLTAGE RATING: 5.0V
 - LLCR:
 - VBUS & GND PINS AND OTHER PINS: 40m?/PIN MAX.
 - SHIELD: 50m?/MAX.
 - LLCR MAX. CHANGE OF ALL PINS: 10m?.
 - INSULATION RESISTANCE: 100M? MIN
 - DIELECTRIC WITHSTAND VOLTAGE, AC 100V FOR 1 MINUTE.
- ENVIRONMENTAL PERFORMANCE:
 - OPERATING TEMPERATURE: -25°C~+85°C.
- IR REFLOW:
 - THE PEAK TEMPERATURE ON THE BOARD SHALL BE MAINTAINED FOR 10 SECONDS AT 260°C.



SECTION: A-A

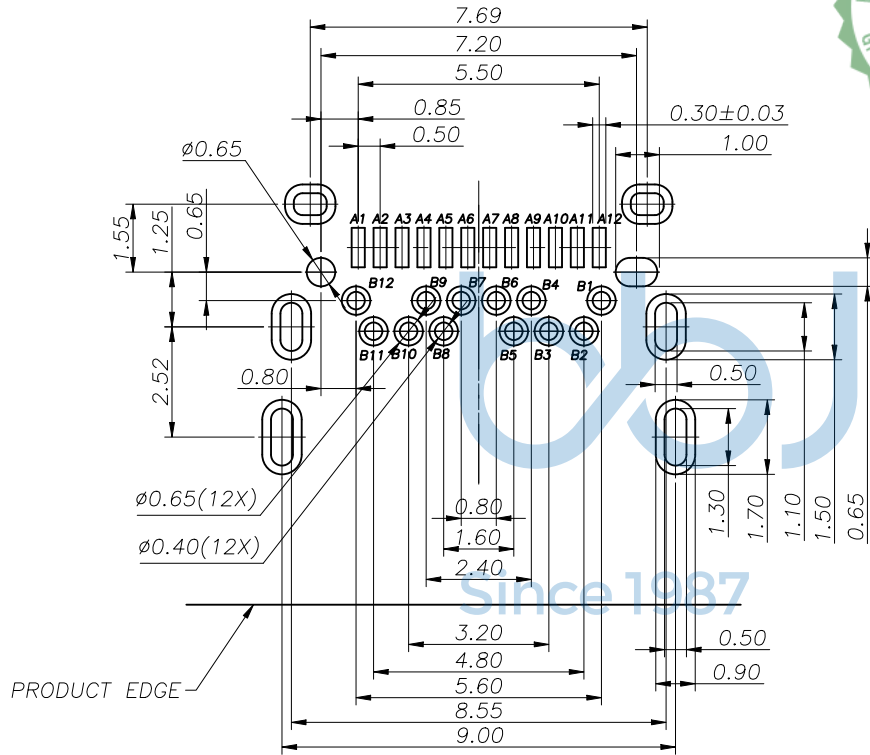


THIS DOCUMENT IS THE SOLE PROPERTY OF BBJconn Technology Co., Ltd. Corporation AND SHOULD NOT BE USED IN WHOLE OR IN PART WITHOUT PRIOR WRITTEN PERMISSION.		 深圳市步步精科技有限公司	
PDWG.NO: 0049-1	DR. ZY	NAME: TYPE-C 24P 母座 L=9.34 CH=1.73 六脚插带柱 端子DIP+SMT 外壳无缺口 前插后贴 端子镀金30u APPD. JM_Zheng CHKD. LYX	PJ. NO.: 126-223-240001-M8G SIZE: A4 DRW NO.: FINISH: SEE NOTES MAT'L.: SEE NOTES SCALE: N/A REV.: A0 UNIT: mm PAGE: 1/2



USB TYPE-C PIN ASSIGNMENTS

PIN NUMBER	SIGNAL NAME	PIN NUMBER	SIGNAL NAME
A1	GND	B12	GND
A2	SSTXp1	B11	SSRXp1
A3	SSTXn1	B10	SSRXn1
A4	VBUS	B9	Vbus
A5	CC1	B8	SBU2
A6	Dp1	B7	Dn2
A7	Dn1	B6	Dp2
A8	SBU1	B5	CC2
A9	Vbus	B4	Vbus
A10	SSRXn2	B3	SSTXn2
A11	SSRXp2	B2	SSTXp2
A12	GND	B1	GND



SCALE 1.5:1

RECOMMENDED PCB LAYOUT(TOP VIEW)
THICKNESS 1.0 MM;DEFAULT TOLERANCE:±0.05

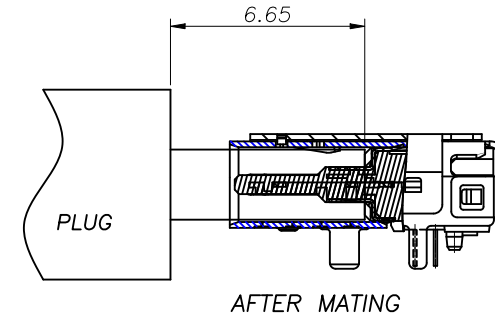
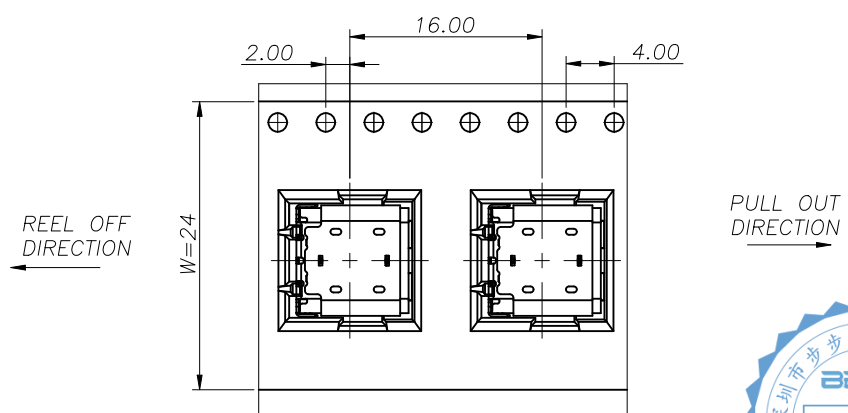
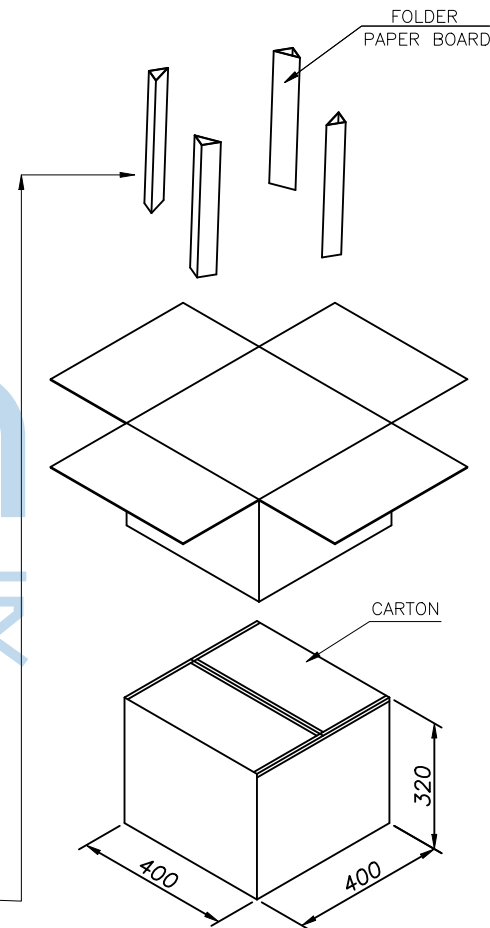
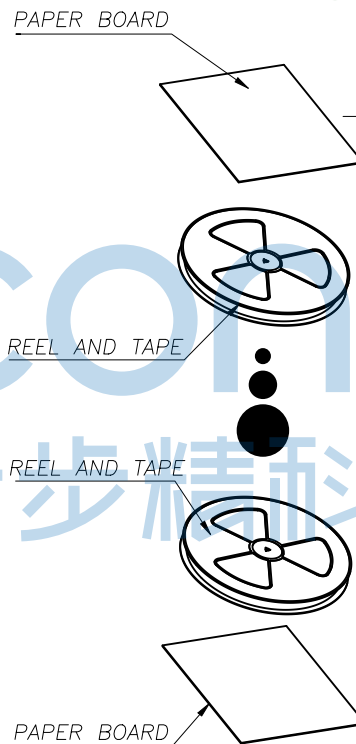
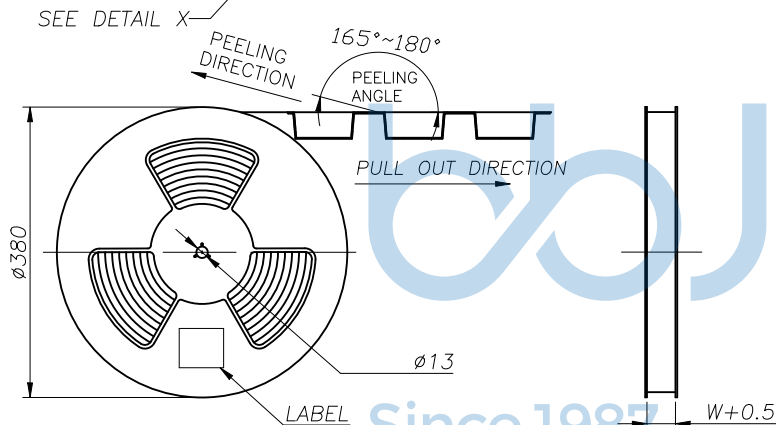
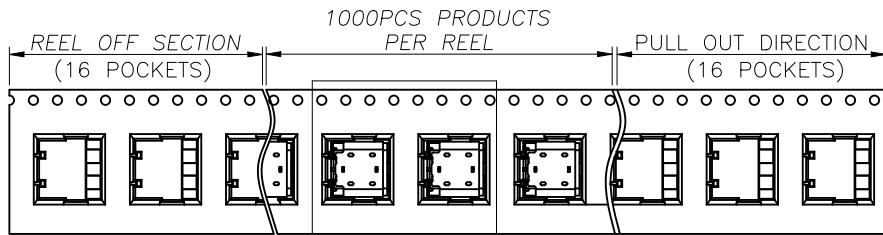


TABLE 1

ITEM	DIM"A"	DIM"C"	PLATING		HOUSING CLOER
			MATING AREA	SOLDER AREA	
1	9.34	7.69	Au:3u"	Au:G/F	BALCK
2	9.34	7.69	Au:30u"		
3	9.10	7.45	Au:3u"		

THIS DOCUMENT IS THE SOLE PROPERTY OF BBJconn Technology Co.,Ltd. Corporation AND SHOULD NOT BE USED IN WHOLE OR IN PART WITHOUT PRIOR WRITTEN PERMISSION.		深圳市步步精科技有限公司 .X: ±0.38 .X': ±3" .XX: ±0.25 .X': ±2" .XXX: ±0.13 .XX': ±1"		NAME: TYPE-C 24P 母座 L=9.34 CH=1.73 六脚插带柱 端子DIP+SMT 外壳无缺口 前插后贴 端子镀金30u	
APPD.	JM_Zheng	PJ. NO.: 126-223-240001-M8G SIZE: A4 DRW NO.:	FINISH: SEE NOTES MAT'L.: SEE NOTES		
CHKD.	LYX		SCALE: N/A	REV.: A0	UNIT: mm
PDWG.NO:	0049-1	DR.	ZY		

REV.	ECN NO.	CONTENT	DATE	ENGINEER
A0		Initial Release	/	ZY



DETAIL X
SCALE 2:1



THIS DOCUMENT IS THE SOLE PROPERTY OF BBJconn Technology Co., Ltd. Corporation AND SHOULD NOT BE USED IN WHOLE OR IN PART WITHOUT PRIOR WRITTEN PERMISSION.		深圳市步步精科技有限公司 .X: ±0.38 X': ±3" .XX: ±0.25 .X': ±2" .XXX: ±0.13 .XX': ±1"		NAME: TYPE-C 24P 母座 L=9.34 CH=1.73 六脚插带柱 端子DIP+SMT 外壳无缺口 前插后贴 端子镀金30u PJ. NO.: 126-223-240001-M8G SIZE: A4 DRW NO.: FINISH: SEE NOTES MAT'L.: SEE NOTES SCALE: N/A REV.: A0 UNIT: mm PAGE: 1/2	
APPD.	JM_Zheng	CHKD.	LYX	DR.	ZY
PDWG.NO: 0049-1					