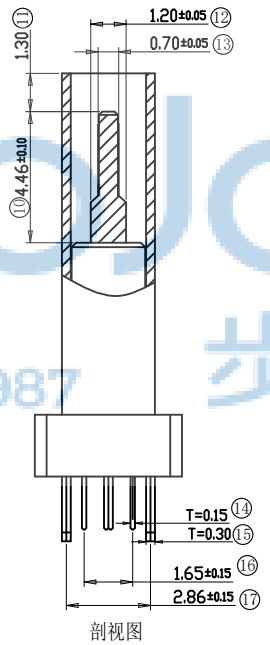
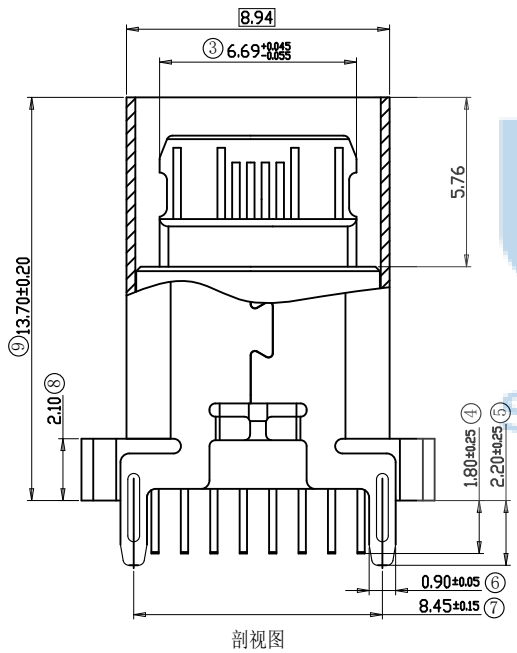
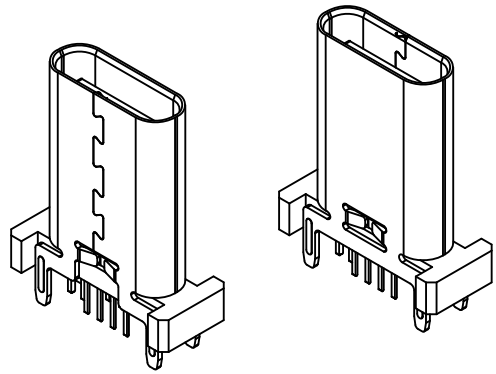
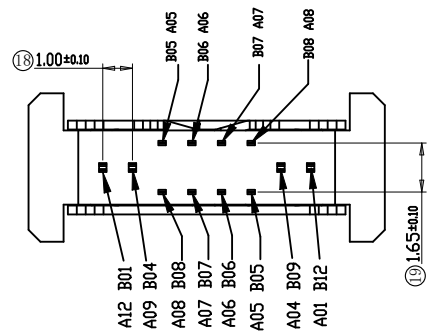


REV.	ECN NO	CONTENT	DATE	ENGINEER
A0				

- 特性:
- 一、电气性能: EICTRICAL
 1. 额定电流: 5.0A
 2. 接触阻抗: 40 MILLIOHMS MAX
 3. 耐电压: 150V AC / 1 mA MAX
 4. 绝缘阻抗: 150V DC/100 MEGA OHMS MIN
 - 二、机械性能:
 1. 插入力: 5~20N
 2. 拔出力: 8~20N
 3. 使用寿命: 10000次、拔出力 5N MIN
 - 三、材料: MATERIAL
 1. 塑胶: LCP/PA9T UL94V-0
 2. 端子: C7025/C1814 T=0.15MM
 3. 外壳: SUS304 T=0.30MM
 4. 卡勾: SUS304 T=0.15MM
 - 四、电镀: FINISH
 1. 端子: 接触点镀金30~MIN
 2. 外壳: 镀镍80~MIN (盐雾48H)
 - 五、电镀品需做粘锡测试: 粘锡面积达到95%以上。
 - 六、SMT回流焊 (峰值260° C±5° C) 不能起泡、熔胶、变色不良 (变形在公差范围以内)
 - 七、工作温度: -55° C~+85° C
 - 八、盐雾测试: 通过48H在浓度为5±1%盐水的盐雾测试无生锈现象



A1	GND	B12	GND
A4	VBUS	B9	VBUS
A5	CC1	B8	SBU2
A6	D+	B7	D-
A7	D-	B6	D+
A8	SBU1	B5	CC2
A9	VBUS	B4	VBUS
A12	GND	B1	GND
PIN	SIGNAL NAME	PIN	SIGNAL NAME

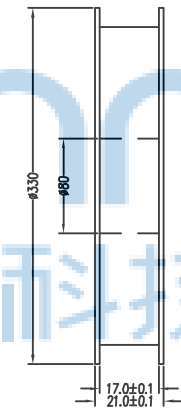
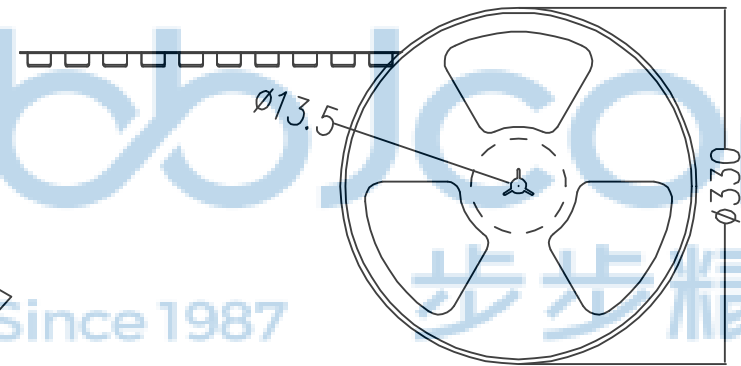
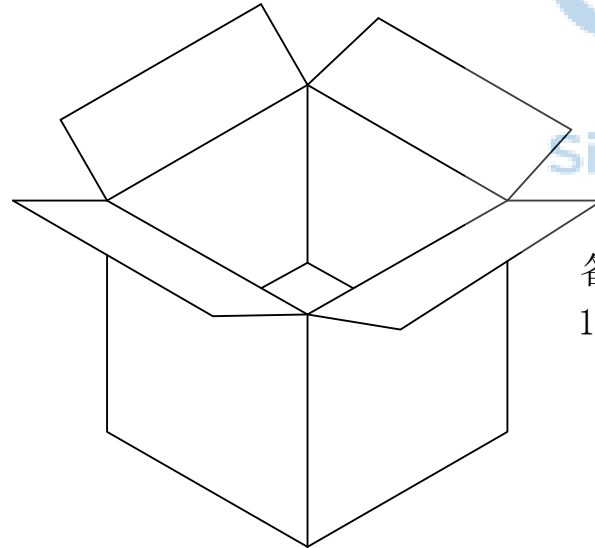
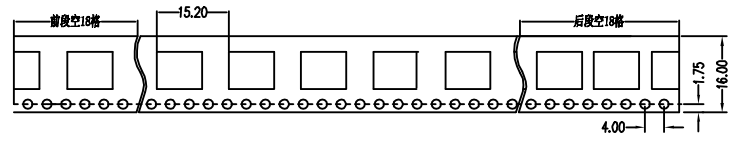
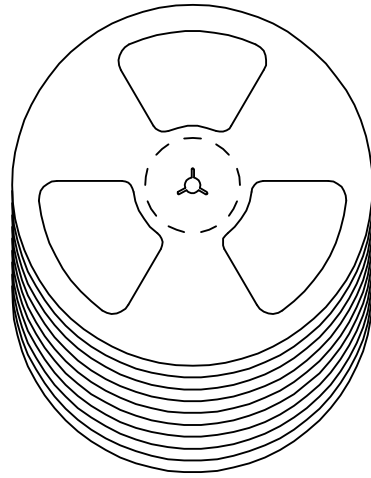


THIS DOCUMENT IS THE SOLE PROPERTY OF BBJconn Technology Co.,Ltd. Corporation AND SHOULD NOT BE USED IN WHOLE OR IN PART WITHOUT PRIOR WRITTEN PERMISSION. PDWG.NO: 0482-1

深圳市步步精科技有限公司
APPROVED 工程部

NAME: TYPE-C 16P 母座 直立式 四脚插 端子DIP H=13.70 LCP黑胶 编带	PJ. NO.: 126-225-160001-H8G
APPD. JM_Zheng	SIZE: A4 DRW NO.:
CHKD. LYX	FINISH: SEE NOTES MAT'L.: SEE NOTES
DR. TSP	SCALE: N/A REV.: A0 UNIT: mm PAGE: 1/2

REV.	ECN NO.	CONTENT	DATE	ENGINEER
A0		Initial release	/	



备注：
1. 包装数量：320/PCS/卷，10卷/箱。

THIS DOCUMENT IS THE SOLE PROPERTY OF BBJconn Technology Co.,Ltd. Corporation AND SHOULD NOT BE USED IN WHOLE OR IN PART WITHOUT PRIOR WRITTEN PERMISSION.		深圳市步步精科技有限公司	
PDWG.NO: 0482-1		APPD. JM_Zheng	NAME: TYPE-C 16P 母座 直立式 四脚插 端子DIP H=13.70 LCP黑胶 编带
.X: ±0.38 .XX: ±0.25 .XXX: ±0.13		.X*: ±3* .X*: ±2* .XX*: ±1*	PJ. NO.: 126-225-160001-H8G
CHKD. LYX		DR. TSP	SIZE: A4 DRW NO.:
		FINISH: SEE NOTES MAT'L.: SEE NOTES	
		SCALE: N/A REV.: A0 UNIT: mm PAGE: 2/2	