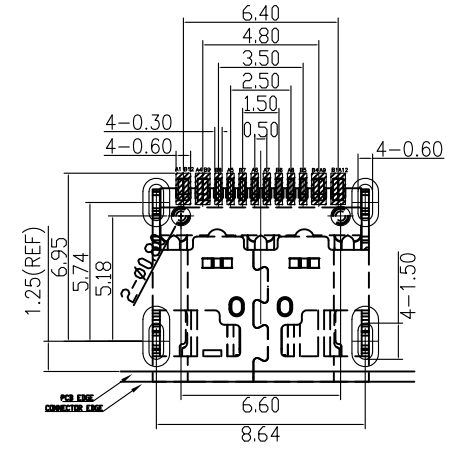
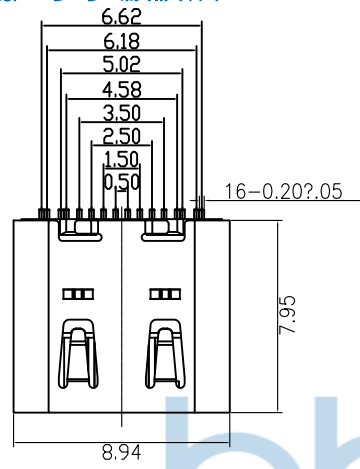
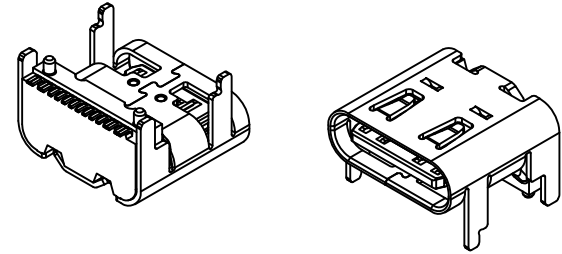
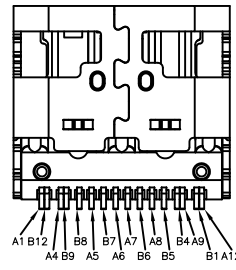
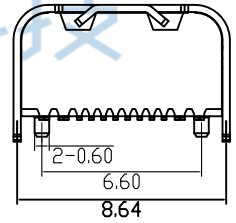
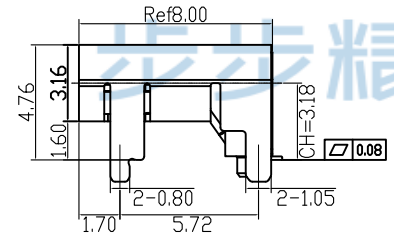
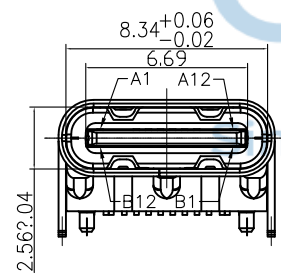


REV.	DESCRIPTION	NAME	DATE
A	NEWS ISSUE		



RECOMMENDED PCB LAYOUT(TOP VIEW)
THICKNESS 0.80MM;DEFAULT TOLERANCE:±0.05

NOTE:
1. MATERIAL SPECIFICATION:
1. HOUSING:HIGH TEMPERATURE RESISTANT PLASTIC,UL94 V-0.
2. CONTACTS:COPPER ALLOY
4. FRONT SHELL: STAINLESS STEEL
2. MECHANICAL PERFORMANCE,
2-1. INSERTION FORCE: 0.5~2.0kgf.
2-2. REMOVAL FORCE: 0.8kgf~2.0kgf.
2-3. DURABILITY: 10000 CYCLES.
3. ELECTRICAL PERFORMANCE,
3-1. CURRENT RATING:5.0A
VOLTAGE RATING:20V
3-2. LLCR:
VBUS & GND PINS AND OTHER PINS: 40mΩ/PIN MAX.
SHIELD: 50mΩ/MAX.
LLCR MAX. CHANGE OF ALL PINS: 10mΩ.
3-3. INSULATION RESISTANCE: 100MΩ MIN
3-4. DIELECTRIC WITHSTAND VOLTAGE, AC 100V FOR 1 MINUTE.
4. ENVIRONMENTAL PERFORMANCE:
OPERATING TEMPERATURE: -25° C~+85° C.
5. IR REFLOW:
THE PEAK TEMPERATURE ON THE BOARD SHALL
BE MAINTAINED FOR 10 SECONDS AT 260° C.



USB TYPE-C PIN ASSIGNMENTS

PIN NUMBER	A1	A2	A3	A4	A5	A6	A7	A8	A9	A10	A11	A12
SIGNAL NAME	GND			V _{bus}	CC1	Dp1	Dn1	SBU1	V _{bus}			GND
PIN NUMBER	B12	B11	B10	B9	B8	B7	B6	B5	B4	B3	B2	B1
SIGNAL NAME	GND			V _{bus}	SBU2	Dn2	Dp2	CC2	V _{bus}			GND

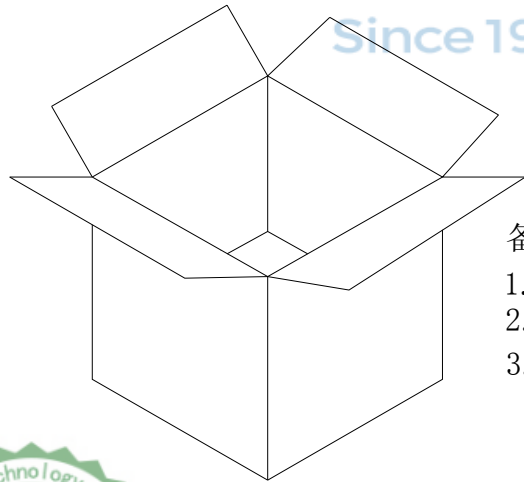
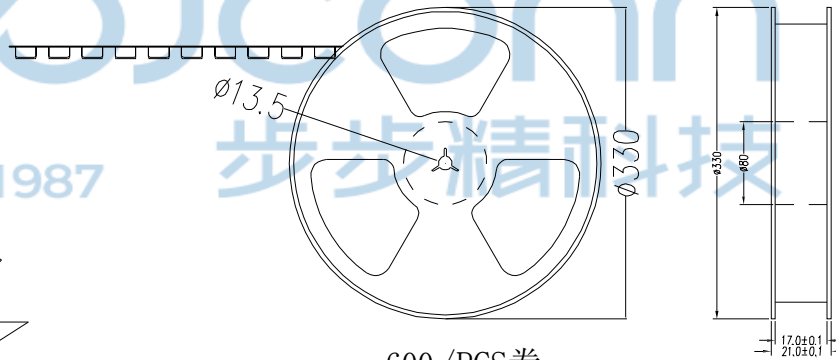
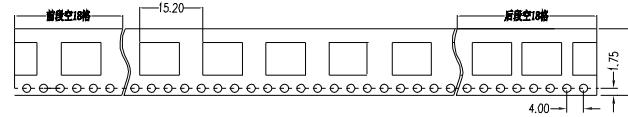
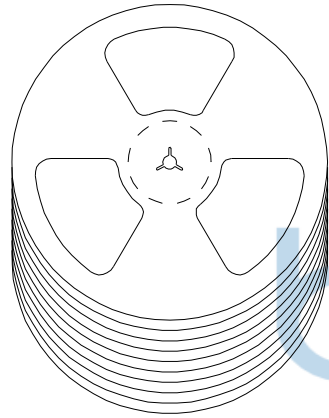
TOLERANCE UNSPECIFIED	
.0	±0.35
.00	±0.25
.000	±0.15
X.°	±2.00°
CUSTOMER DRAWING	

深圳市步步精科技有限公司

TITLE:
TYPE-C 16PIN 母座 L=8.0 CH=3.18 垫高1.60 板上四脚插 带柱 端子SMT

DRAWN/ DATE	设计 TSP	SIZE:A4	UNIT:MM.	PART.NO: 126-221-160017-H8G
CHECKED/ DATE	审核 LYX	SCALE: 1:1	PROJECTION	REV.: 版本
APPROVED/ DATE	核准 LJP	DWG. PATH	0482-1	SHEET: 页码

REV.	DESCRIPTION	NAME	DATE
A	NEWS ISSUE		



600 / PCS 卷

备注:

1. 包装数量: 600 / PCS / 卷, 10卷 / 箱或15卷 / 箱。
2. 包装袋长度: 每卷前后各空10-20个空格, 中间包装。
3. 材质:
载体: 聚丙烯 (PS), 阻抗 $10^{6-9} \Omega$
上带: 聚乙烯 (PET), 阻抗 $10^{6-11} \Omega$
卷盘: 聚苯乙烯。

纸箱规格: 345*345*350MM



TOLERANCE UNSPECIFIED		深圳市步步精科技有限公司				
.0	±0.35					
.00	±0.25	TITLE:				
.000	±0.15	TYPE-C 16PIN 母座 L=8.0 CH=3.18 垫高1.60 板上四脚插 带柱 端子SMT				
X.°	±2.00°	DRAWN/ DATE	设计 TSP	SIZE:A4	UNIT:MM.	PART. NO: 126-221-160017-H8G
CUSTOMER DRAWING		CHECKED/ DATE	审核 LYX	SCALE: 1:1	PROJECTION	REV.: 版本
		APPROVED/ DATE	核准 LJP	DWG. PATH	0482-1	SHEET: 页码