



REV.	DESCRIPTION	NAME	DATE
A	NEWS ISSUE		

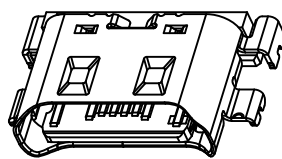
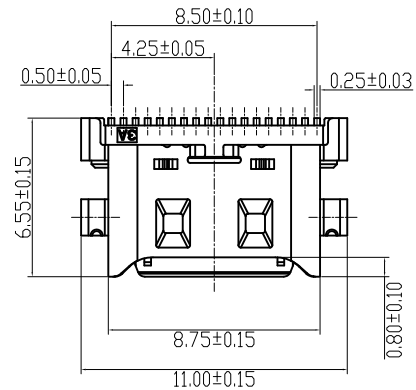
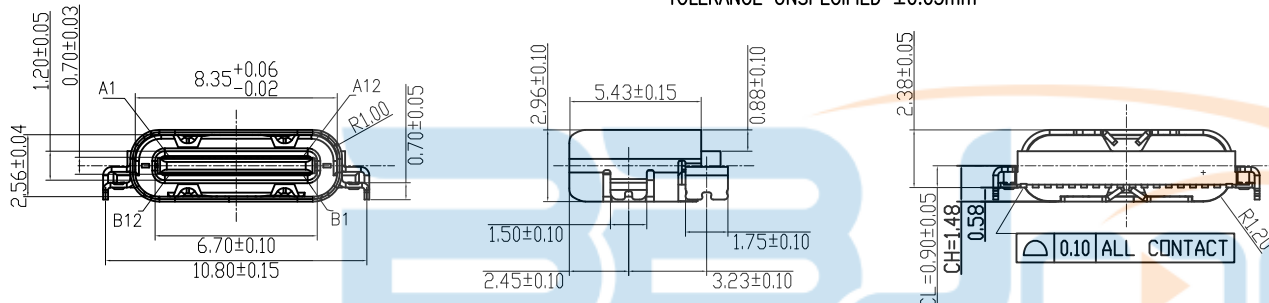
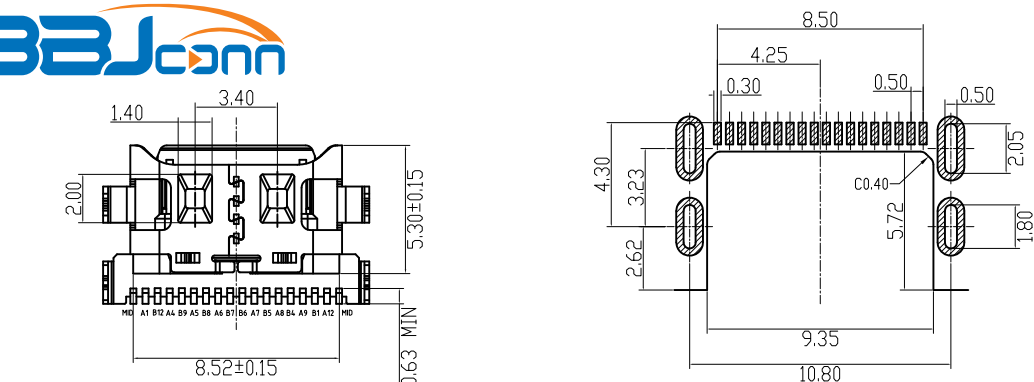
NOTES:

SPECIFICATION:

1. CURRENT RATING: 3.0A MAX
2. VOLTAGE: 100 VAC
3. TEMPERATURE RANGE: -30 °C ~ 85 °C
4. CONTACT RESISTANCE: 40 MILLIONHM MAX
5. INSULATION RESISTANCE: 100 MEGOHMS MIN.
6. INSERTION FORCE : 5N~20N
7. UNMATING FORCE: 8N~20N
8. DURABILITY: 10,000 CYCLES



RECOMMENDED P.C.B. LAYOUT  
TOLERANCE UNSPECIFIED ±0.05mm



NO.	DESCRIPTION	MATERIAL	REMARKS	QTY
7	SHELL	STAINLESS STEEL	Ti/Ni Plated	1PCS
6	OVER MOLDING	HIGH TEMPERATURE PLASTIC	BLACK	1PCS
5	TOP I/M	HIGH TEMPERATURE PLASTIC	BLACK	1PCS
4	BOTTOM I/M	HIGH TEMPERATURE PLASTIC	BLACK	1PCS
3	MID PLATE	STAINLESS STEEL	Ti/Ni Plated	1PCS
2	CONTACT	COPPER ALLOY	Au/Ni Plated	1SET
1	CONTACT	COPPER ALLOY	Au/Ni Plated	1SET

USB TYPE-C PIN ASSIGNMENTS

PIN NUMBER	A1	A2	A3	A4	A5	A6	A7	A8	A9	A10	A11	A12
SIGNAL NAME	GND			V <sub>BUS</sub>	CC1	Dp1	Dn1	SBU1	V <sub>BUS</sub>			GND
PIN NUMBER	B12	B11	B10	B9	B8	B7	B6	B5	B4	B3	B2	B1
SIGNAL NAME	GND			V <sub>BUS</sub>	SBU2	Dn2	Dp2	CC2	V <sub>BUS</sub>			GND

TOLERANCE UNSPECIFIED  
 .0 ±0.35  
 .00 ±0.25  
 .000 ±0.15  
 X. ° ±2.00°  
 CUSTOMER DRAWING

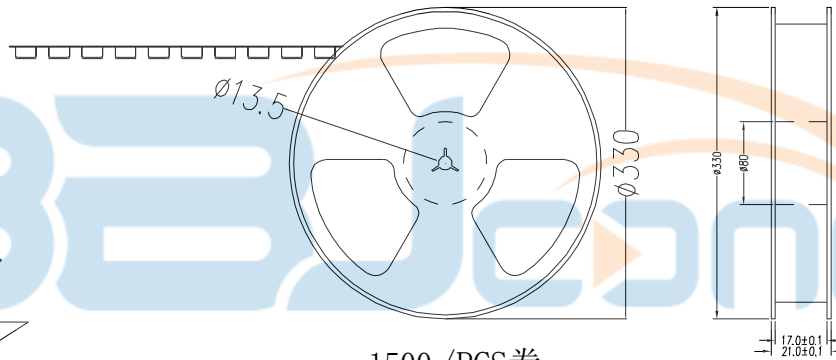
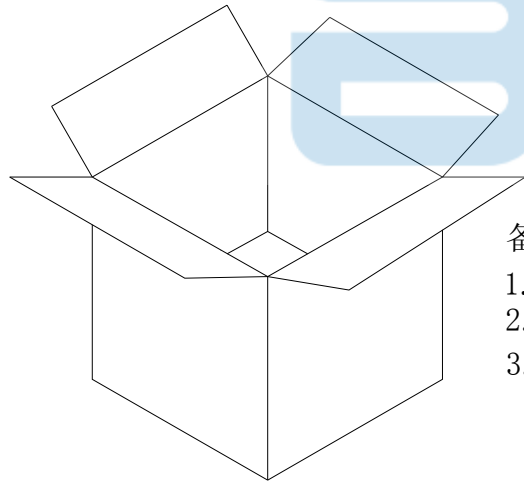
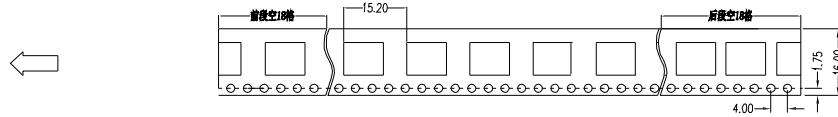
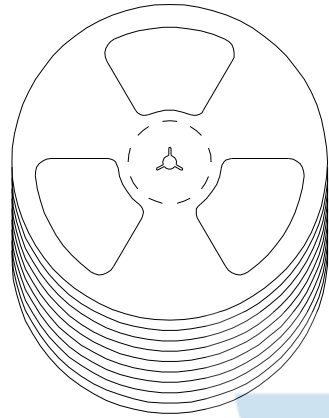
**BBJconn** 深圳市步步精科技有限公司

TITLE:  
TYPE-C 16PIN 母座 沉板0.58 L=6.55 CH=1.48 四脚插 端子SMT U型口

DRAWN/ DATE	设计 TSP	SIZE:A4	UNIT:MM.	PART. NO: 126-221-160019-H8G
CHECKED/ DATE	审核 LYX	SCALE: 1:1	PROJECTION	REV.: 版本
APPROVED/ DATE	核准 LJP	DWG. PATH	0482-1	SHEET: 页码



REV.	DESCRIPTION	NAME	DATE
A	NEWS ISSUE		



1500 / PCS 卷

备注:

1. 包装数量: 1500 / PCS / 卷, 10卷 / 箱或15卷 / 箱。
2. 包装袋长度: 每卷前后各空10-20个空格, 中间包装。

3. 材质:

载体: 聚丙烯 (PS), 阻抗 $10^{6-9} \Omega$

上带: 聚乙烯 (PET), 阻抗 $10^{6-11} \Omega$

卷盘: 聚苯乙烯。

纸箱规格: 345\*345\*23MM

纸箱规格: 345\*345\*35MM



TOLERANCE UNSPECIFIED		深圳市步步精科技有限公司 TITLE: TYPE-C 16PIN 母座 沉板0.58 L=6.55 CH=1.48 四脚插 端子SMT U型口	
.0	±0.35		
.00	±0.25	DRAWN/ DATE 设计 TSP SIZE:A4 UNIT:MM. PART. NO: 126-221-160019-H8G	
.000	±0.15	CHECKED/ DATE 审核 LYX SCALE: 1:1 PROJECTION  REV.: 版本	
X. °	±2.00°	APPROVED/ DATE 核准 LJP DWG. PATH 0482-1 SHEET: 页码	
CUSTOMER DRAWING			