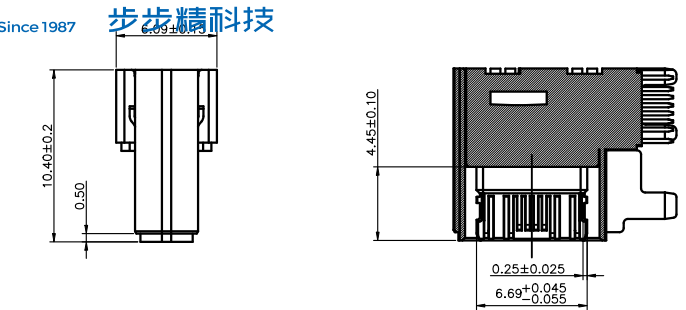
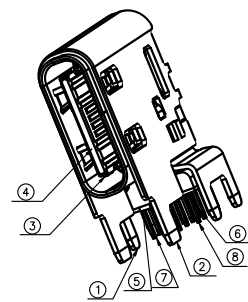


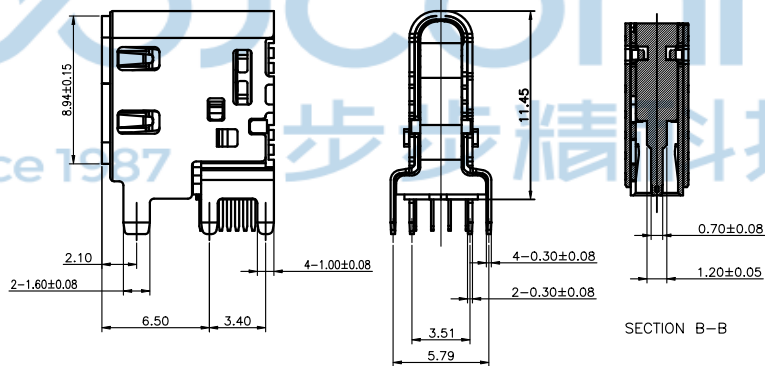
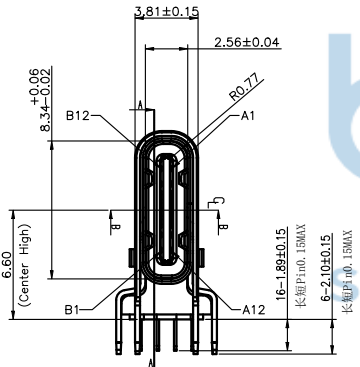
REV.	ECN NO	CONTENT	DATE	ENGINEER
A0		Initial release		LYX

NOTE:

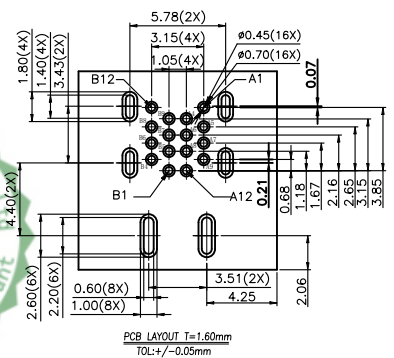
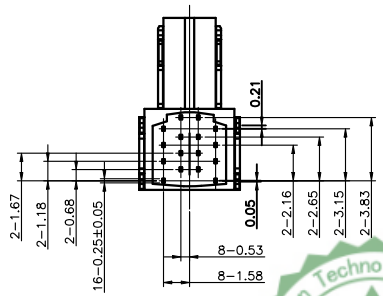
- Electrical Characteristics:
 - 1-1: Current Rating: 5A For Pin(A4, A9, B4, B9)
1.25A For Pin(B5)
0.25A For Others Pin
 - 1-2: VOLTAGE RATING:20V AC/DC,
 - 1-3: Insulation Resistance: 100MΩ Min.
 - 1-4: Contact Resistance:
VBUS & GND PINS AND OTHER PINS: 40mΩ/PIN MAX.
SHIELD:50mΩ/MAX.
SHIELD:LLCR MAX. CHANGE OF ALL PINS: 10mΩ.
 - 1-5: Dielectric Withstanding Voltage: 100V/AC 1Minute
- Mechanical Characteristics:
 - Insertion Force: 5~20N
 - Extraction Force: Initial: 8~20N
 - After durability: 6~20N
 - Durability :10000 Cycles
- Operating Temperature: -30° C TO +85° C
- 环境性能:
产品需过IR炉, 温度260° C, 10分钟;



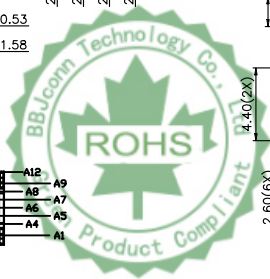
SECTION A-A



SECTION B-B



PCB LAYOUT T=1.60mm
TOL:+/-0.05mm



⑧	上排端子	12	C7025-TM03,T=0.15	镍底:80-200u", 接触区:镀金, 焊接区:镀金,
⑦	下排端子	12		
⑥	上排Moding	1	PA46 HFX33S UL94 V-0	黑色/白色
⑤	下排Moding	1		
④	二次Moding	1		
③	中夹片	1	SUS301R-H,T=0.20	整体镀镍40-200u"
②	内壳	1	SUS304-1/2H,T=0.30	整体镀镍40-200u"
①	外壳	1	SUS304-1/2H,T=0.30	整体镀镍40-200u"
NO.	品名	数量	材质	表面处理

PIN ASSINGMENT											
A1	A2	A3	A4	A5	A6	A7	A8	A9	A10	A11	A12
GND	\	\	VBUS	CC1	Dp1	Dn1	SBU1	VBUS	\	\	GND
GND	\	\	VBUS	SBU2	Dn2	Dp2	CC2	VBUS	\	\	GND
B12	B11	B10	B9	B8	B7	B6	B5	B4	B3	B2	B1

THIS DOCUMENT IS THE SOLE PROPERTY OF BBJconn Technology Co.,Ltd. Corporation AND SHOULD NOT BE USED IN WHOLE OR IN PART WITHOUT PRIOR WRITTEN PERMISSION.

PDWG.NO: 0482-1

深圳市步步精科技有限公司

.X: ±0.38 .X': ±3" .XX: ±0.25 .X": ±2" .XXX: ±0.13 .XX': ±1"

NAME: TYPE-C 16P 母座 双壳 侧插 L=10.4 H=11.45 CH=6.6 六脚插 带中夹片 DIP PA46

APPD. JM_Zheng

CHKD. Yan

DR. LYX

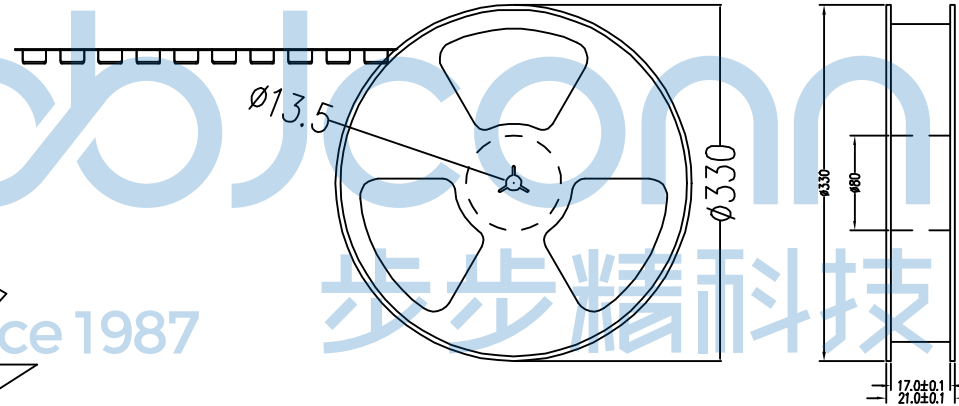
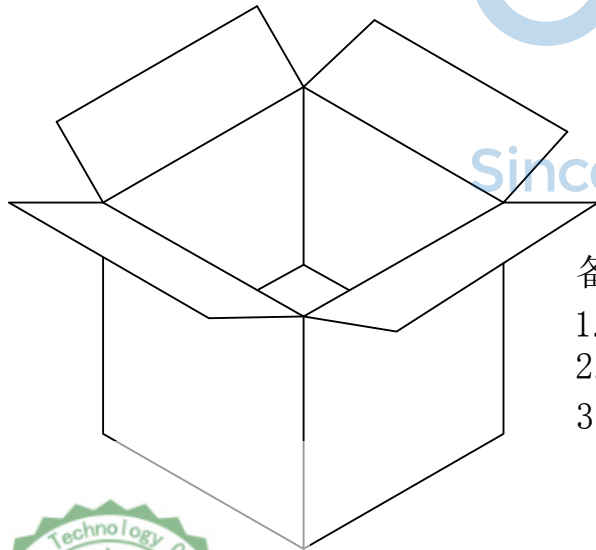
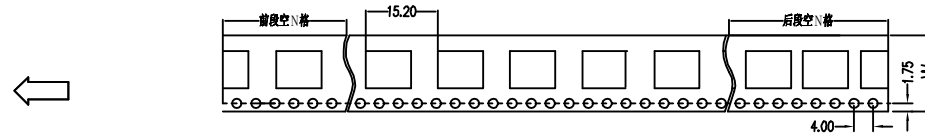
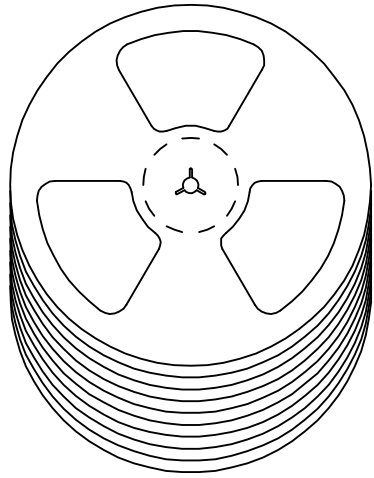
PJ. NO.: 126-228-160002-H8G

SIZE: A4 DRW NO.:

FINISH: SEE NOTES MAT'L.: SEE NOTES

SCALE: N/A REV.: A0 UNIT: mm PAGE: 1/2

REV.	ECN NO	CONTENT	DATE	ENGINEER
A0		Initial release		LYX



备注:

1. 包装数量: 400/PCS/卷, 10卷/箱。
2. 包装袋长度: 每卷前后各空10-20个空格, 中间包装。
3. 材质:
载体: 聚丙烯 (PS), 阻抗 $10^{6-9} \Omega$
上带: 聚乙烯 (PET), 阻抗 $10^{6-11} \Omega$
卷盘: 聚苯乙烯。

纸箱规格: 345*345*230MM



THIS DOCUMENT IS THE SOLE PROPERTY OF BBJconn Technology Co.,Ltd. Corporation AND SHOULD NOT BE USED IN WHOLE OR IN PART WITHOUT PRIOR WRITTEN PERMISSION.		深圳市步步精科技有限公司	
.X: ±0.38 .XX: ±0.25 .XXX: ±0.13		X': ±3" .X': ±2" .XX': ±1"	
APPD.	JM_Zheng	NAME: TYPE-C 16P 母座 双壳 侧插 L=10.4 H=11.45 CH=6.6 六脚插 带中夹片 DIP PA46	
CHKD.	TSP	PJ. NO.: 126-228-160002-H8G	
DR.	LYX	SIZE: A4 DRW NO.:	
PDWG.NO: 0482-1		FINISH: SEE NOTES MAT'L.: SEE NOTES	
		SCALE: N/A REV.: A0 UNIT: mm PAGE: 2/2	