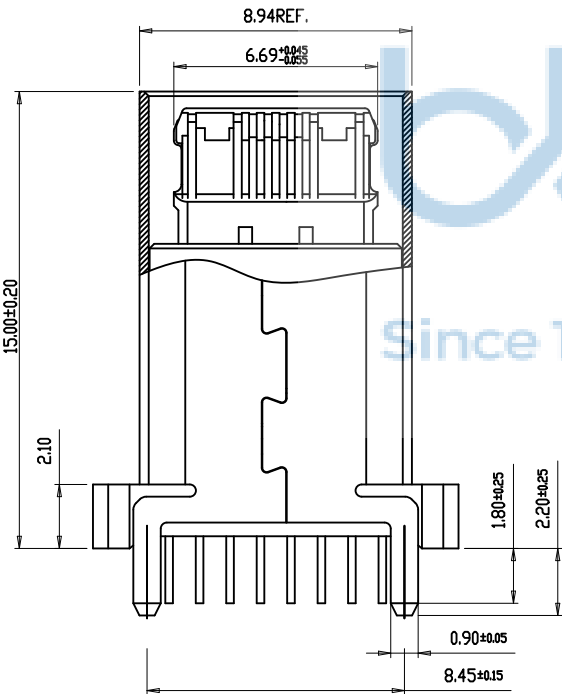
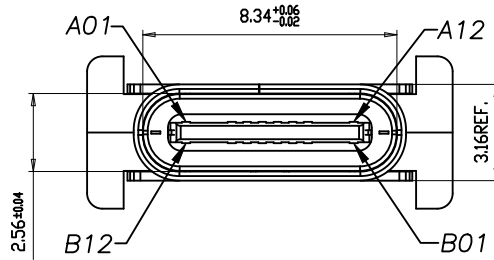
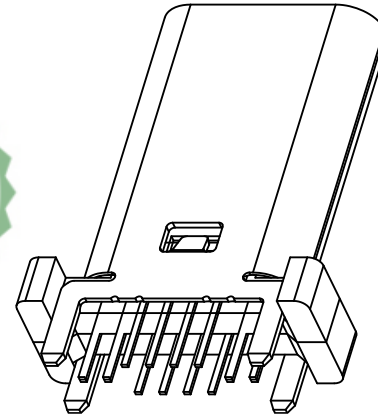


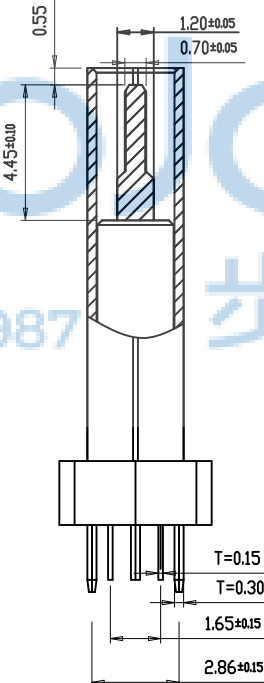


REV.	ECN NO.	CONTENT	DATE	ENGINEER
A0		Initial release	/	SGF

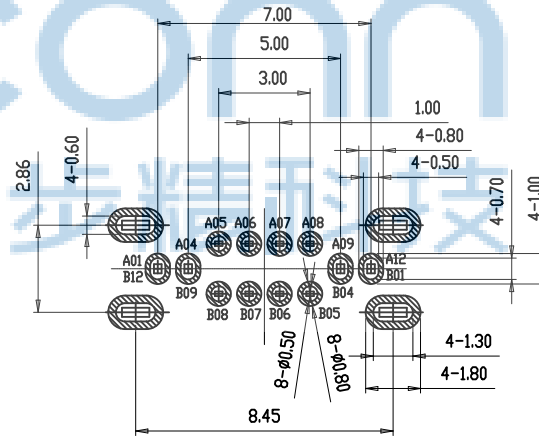
- 特性:
- 一、电气性能: ELECTRICAL
 1. 额定电流: 5.0A
 2. 接触阻抗: 40 MILLIOHMS MAX
 3. 耐电压: 150V AC / 1 mA MAX
 4. 绝缘阻抗: 150V DC/100 MEGA OHMS MIN
 - 二、机械性能:
 1. 插入力: 5~20N
 2. 拨出力: 8~20N
 3. 使用寿命: 10000次、拨出力 6N MIN
 - 三、材料: MATERIAL
 1. 塑胶: LCP UL94V-0
 2. 端子: C7025 T=0.15MM
 3. 外壳: SUS304 T=0.30MM
 4. 卡勾: SUS304 T=0.15MM
 - 四、电镀: FINISH
 1. 端子: 接触点镀金3U~MIN
PIN脚焊接区域镀金1U~MIN.
 2. 外壳: 镀镍50U~MIN (盐雾48H)
 - 五、电镀品需做粘锡测试: 粘锡面积达到95%以上.
 - 六、SMT回流焊 (峰值260° C±5° C) 不能起泡、熔胶、变色不良 (变形在公差范围以内)
 - 七、工作温度: -40° C~+85° C



剖视图

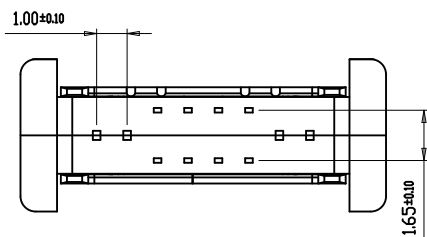


剖视图



RECOMMENDED P.C.B. LAYOUT (俯视图)
TOLERANCE UNSPECIFIED ±0.05mm

A1	GND	B12	GND
A4	VBUS	B9	VBUS
A5	CC1	B8	SBU2
A6	D+	B7	D-
A7	D-	B6	D+
A8	SBU1	B5	CC2
A9	VBUS	B4	VBUS
A12	GND	B1	GND
PIN	SIGNAL NAME	PIN	SIGNAL NAME



THIS DOCUMENT IS THE SOLE PROPERTY OF BBJconn Technology Co., Ltd. Corporation AND SHOULD NOT BE USED IN WHOLE OR IN PART WITHOUT PRIOR WRITTEN PERMISSION. PDWG.NO: 0953-1

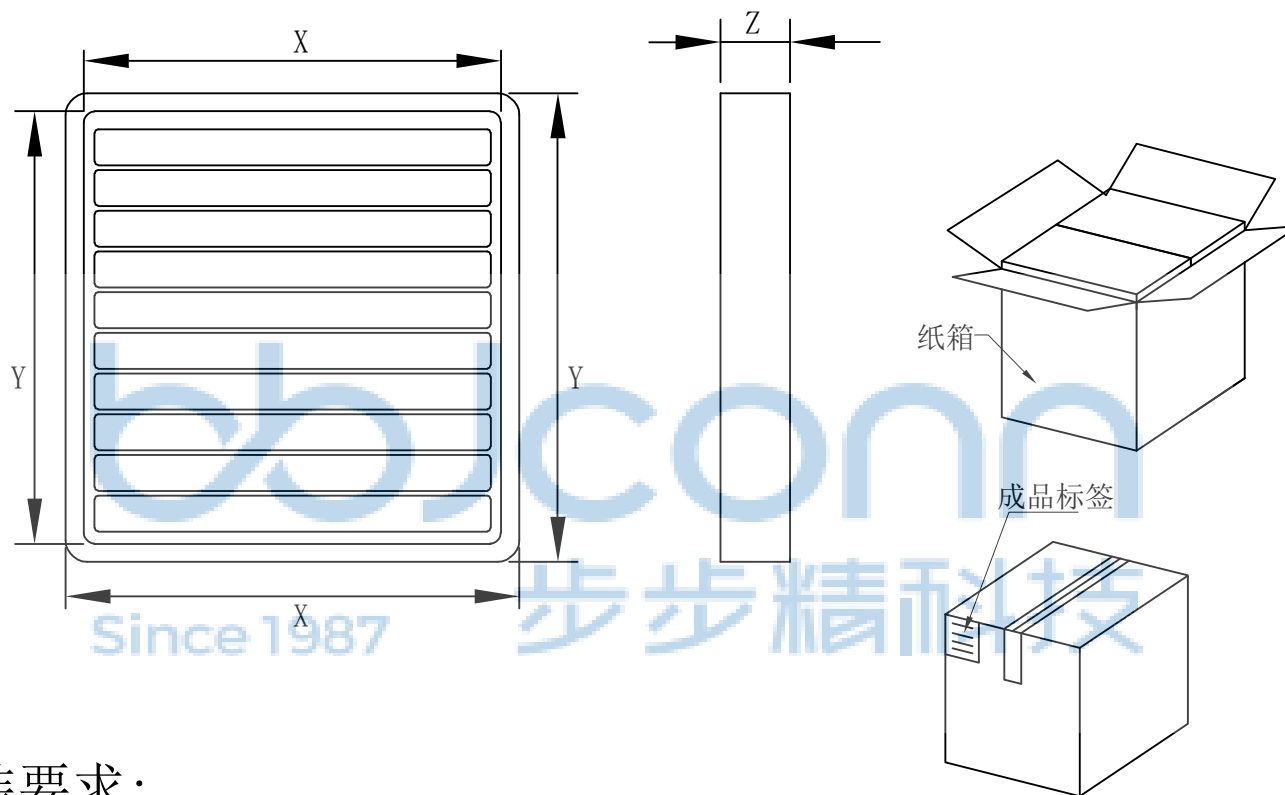
深圳市步步精科技有限公司

NAME: TYPE-C 16P 母座 直立式 四脚DIP 端子
DIP 带中夹片 H=15.0 LCP蓝胶 盒装

APPD. JM_Zheng
CHKD. LYX
DR. SGF

PJ. NO.: 126-225-160009-J8G
SIZE: A4 DRW NO.:
FINISH: SEE NOTES MAT'L.: SEE NOTES
SCALE: N/A REV.: A0 UNIT: mm PAGE: 1/2

REV.	ECN NO.	CONTENT	DATE	ENGINEER
A0		Initial release	/	SGF



1. 包装要求:

- 1.1 每盒吸塑盒包装100pcs;
- 1.2 每30盘放一箱, 共计3000PCS;
- 1.3 纸箱外贴上标签。

纸箱规格: 350*210*290



THIS DOCUMENT IS THE SOLE PROPERTY OF BBJconn Technology Co., Ltd. Corporation AND SHOULD NOT BE USED IN WHOLE OR IN PART WITHOUT PRIOR WRITTEN PERMISSION. PDWG.NO: 0953-1		深圳市步步精科技有限公司	
.X: ±0.38 .XX: ±0.25 .XXX: ±0.13		X': ±3" X'': ±2" .XX': ±1"	
APPD.	JM_Zheng	NAME: TYPE-C 16P 母座 直立式 四脚DIP 端子 DIP 带中夹片 H=15.0 LCP蓝胶 盒装	
CHKD.	LYX	PJ. NO.: 126-225-160009-J8G SIZE: A4 DRW NO.:	
DR.	SGF	FINISH: SEE NOTES	MAT'L.: SEE NOTES
		SCALE: N/A	REV.: A0
		UNIT: mm	PAGE: 2/2