

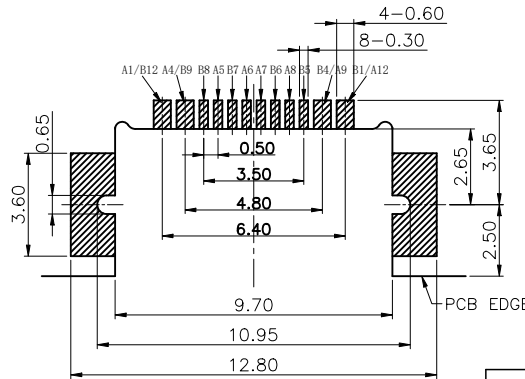
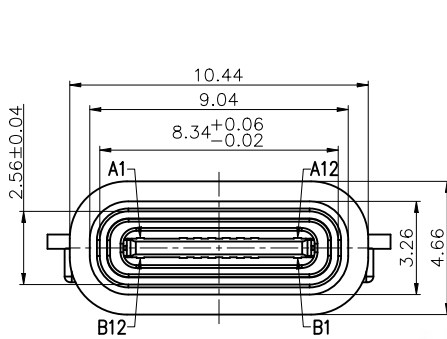
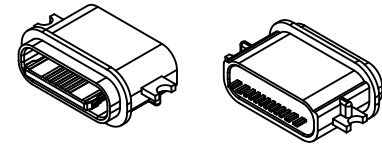
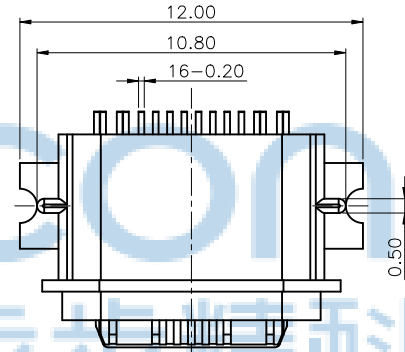
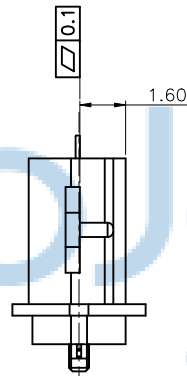
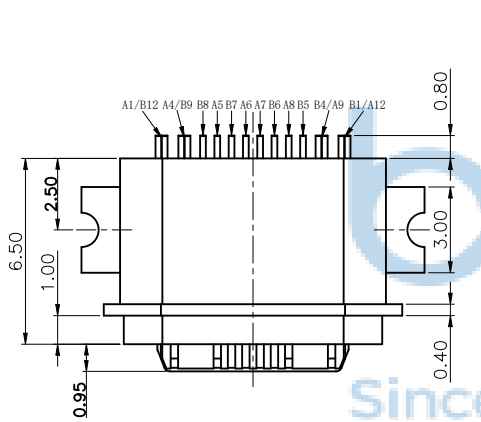
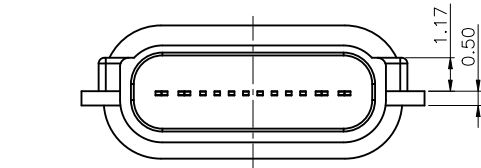


REV	ECN NO	CONTENT	DATE	ENGINEER
A0		INITIAL RELEASE	/	GZY

NOTES:

SPECIFICATION:

- CURRENT RATING: 3.0 A
- VOLTAGE RATING: 3.0 V
- VBUS & GND PINS AND OTHER PINS: 40mΩ/PIN MAX
SHIELD: 50mΩ/MAX
LLCR MAX. CHANGE OF ALL PINS: 10mΩ
- INSULATION RESISTANCE: 100MΩ MIN
- DIELECTRIC WITHSTAND VOLTAGE, AC 100V FOR 1MINUTE
- INSERTION FORCE: 0.5~2.0kgf
- UNMATING FORCE: 0.8~2.0kgf
- DURABILITY: 10000 CYCLES
- OPERATING TEMPERATURE: -35°C~+85°C
- THE PEAK TEMPERATURE ON THE BOARD SHALL BE MAINTAINED FOR 10 SECONDS AT 210~230°C
- WATERPROOF: IP-X7.



RECOMMEND P.C.B LAYOUT
TOLERANCE UNSPECIFIED ±0.05mm

USB TYPE C PIN ASSIGNMENTS

PIN NUMBER	SIGNAL NAME	PIN NUMBER	SIGNAL NAME
A1	GND	B12	GND
A4	VBUS	B9	VBUS
A5	CC1	B8	SBU2
A6	DP1	B7	DN2
A7	DN1	B6	DP2
A8	SBU1	B5	CC2
A9	VBUS	B4	VBUS
A12	GND	B1	GND

TABLE:

NO	PART	Q'TY	Material
1	SHELL	1	ZINC ALLOG, NI30u"Min PLATED
2	CONTACT	16	C7025, TIN80u"/Au3u"/NI30u"PLATED
3	MID PLATE	1	SUS301, NO PLATING
4	HOUSING	1	LCP(E130i) UL94 V-0 BLACK
5	WATERPROOF RING	1	SILICONE(SI/60-65A) UL94 V-0 BLACK



THIS DOCUMENT IS THE
SOLE PROPERTY OF
BBJconn Technology Co., Ltd.
Corporation AND SHOULD
NOT BE USED IN WHOLE
PRIOR WRITTEN PERMISSION.
PDWG NO:0395-1

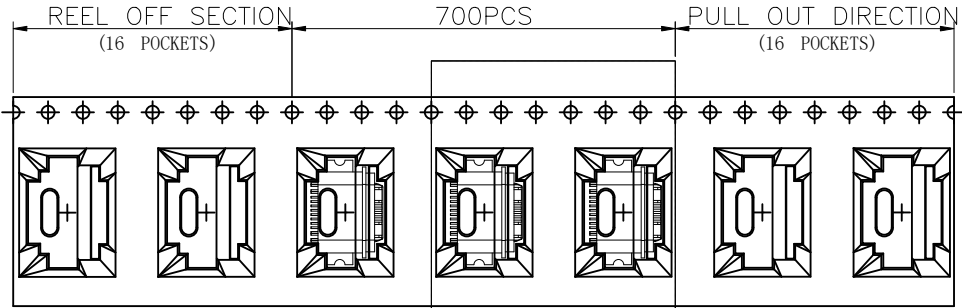
深圳市步步精科技有限公司

NAME: TYPE-C 16P 防水母座 端子SMT 两脚贴 沉板1.60 L=6.50
舌片外露0.95 锌合金外壳 LCP黑胶 带中夹片 IPX7 编带

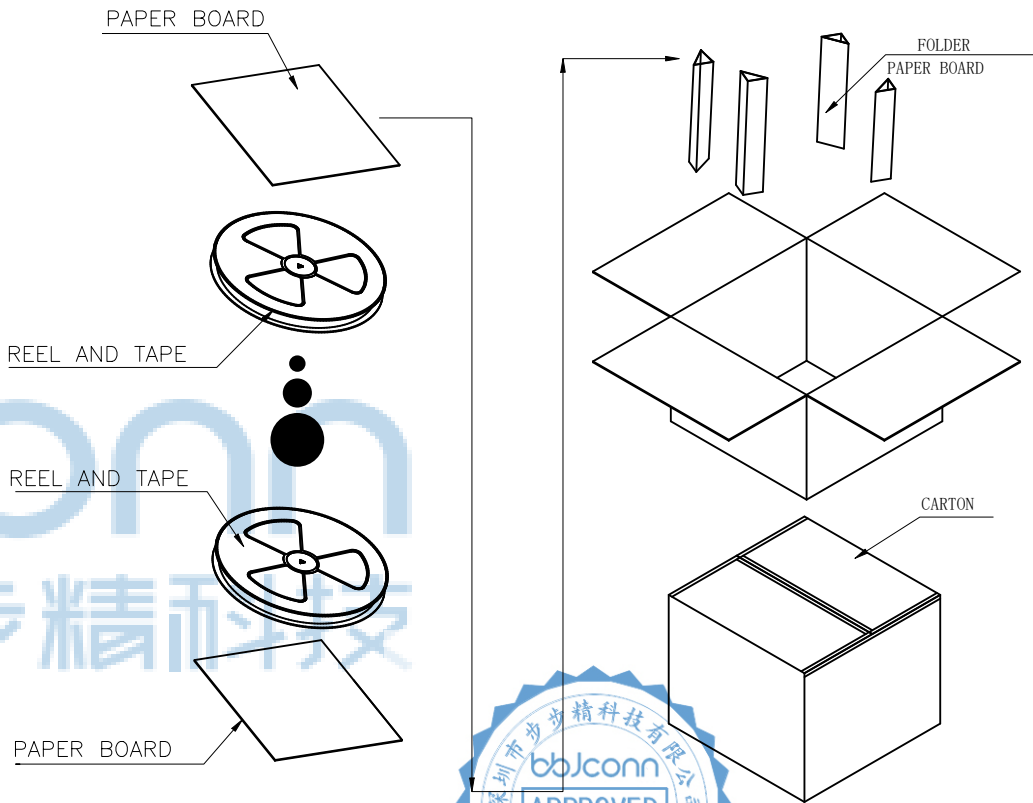
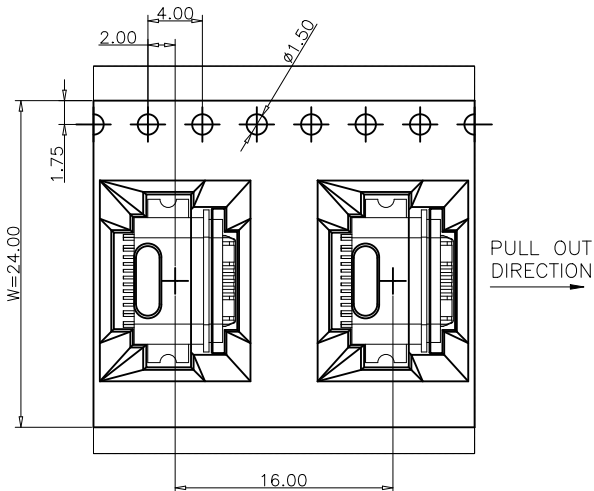
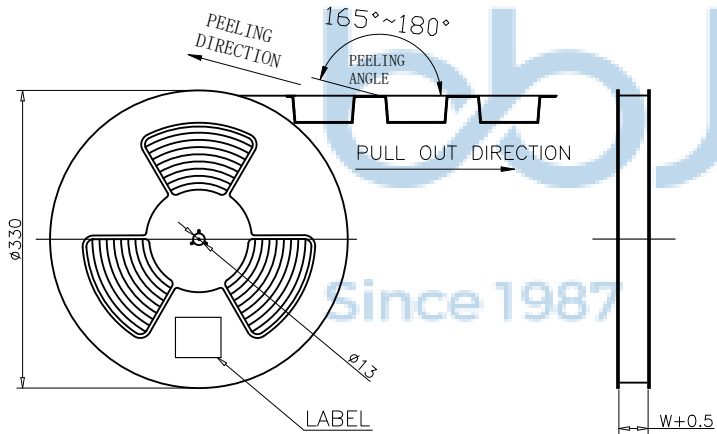
APPD: JM_Zheng
CHKD: LYX
DR: GZY

PJ NO: 126-221-160011-J2G
SIZE: A4
FINISH: SEE NOTES
SCALE: N/A
REV: A0
UNIT: mm
PAGE: 1/2

REV	ECN NO	CONTENT	DATE	ENGINEER
A0		INITIAL RELEASE	/	GZY



SEE DETAIL X



	REEL	CARTON
CONNECTOR (PCS)	700	7000

THIS DOCUMENT IS THE SOLE PROPERTY OF BBJconn Technology Co.,Ltd. Corporation AND SHOULD NOT BE USED IN WHOLE PRIOR WRITTEN PERMISSION.		深圳市步步精科技有限公司	
APPD	JM_Zheng	NAME: TYPE-C 16P 防水母座 端子SMT 两脚贴 沉板1.60 L=6.50 舌片外露0.95 锌合金外壳 LCP黑胶 带中夹片 IPX7 编带	
CHKD	LYX	PJ NO: 126-221-160011-J2G	
PDWG NO:0395-1	DR GZY	SIZE:A4 DRW NO:	
		FINISH:SEE NOTES MAT'L:SEE NOTES	
		SCALE:N/A REV:A0 UNIT:mm PAGE:2/2	