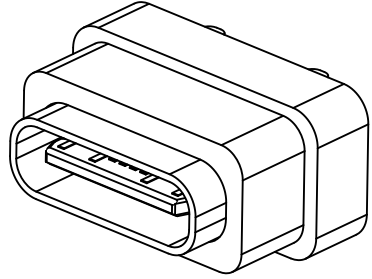
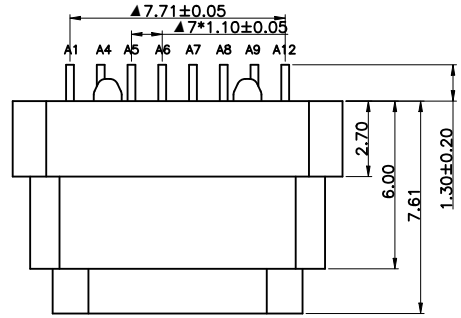
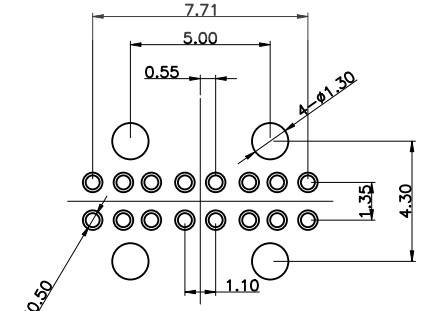
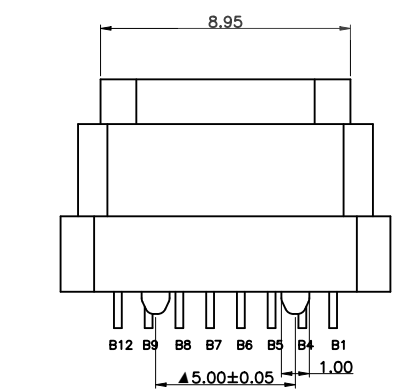
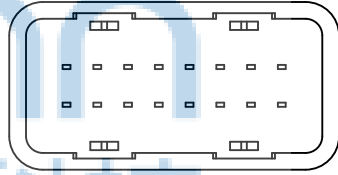
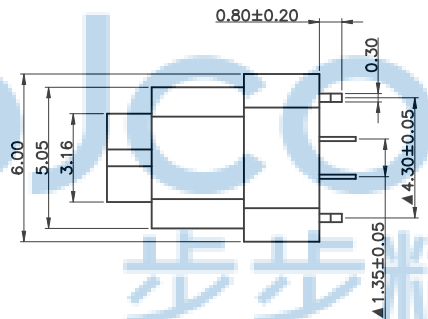
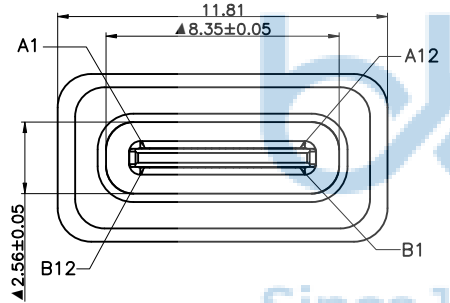


REV.	ECN NO	CONTENT	DATE	ENGINEER
A0				



- 备注 (NOTE):
- 电气特性:
    - 接触区: 接触电阻40mΩ Max, 允许10mΩ变化量. 测试条件: 20mv, 100mA下测量.
    - 接触电流: 3A VBUS引脚; 1.25A用于GND引脚; 其他引脚为0.25A.
    - 额定电压: 30V.
    - 耐电压: 100VR. M. S.
    - 绝缘电阻: 至少100兆欧.
  - 机械性能:
    - 插入力: 0.51-2.04Kg
    - 拔出力: 0.82-2.04Kg
    - 耐久性: 0.61-2.04Kg
    - 插拔次数: 10000次.
    - 工作环境: -20°C to +85°C.
  - 尺寸标注事项:
    - 图示有标注“▲”记号者为重点尺寸.
    - 图示所有标注“Cpk”尺寸为Cpk检验尺寸.
    - 图示未标注公差之尺寸参考公差表.
    - 图示标注“\*”记号之尺寸为对称尺寸.



RECOMMENDED P.C.B. LAYOUT  
TOLERANCE UNSPECIFIED ±0.05mm

A12	A11	A10	A9	A8	A7	A6	A5	A4	A3	A2	A1
GND			VBUS		D-	D+	Vconn	VBUS			GND
GND			VBUS	Vconn	D+	D-		VBUS			GND
B1	B2	B3	B4	B5	B6	B7	B8	B9	B10	B11	B12

ALL MATERIAL MEET THE FORMAN'S SPEC; ENVIRONMENT-RELATED SUBSTANCES MANAGEMENT TECHNICAL STANDARD

THIS DOCUMENT IS THE SOLE PROPERTY OF BBJconn Technology Co., Ltd. CORPORATION AND SHOULD NOT BE USED IN WHOLE OR IN PART WITHOUT PRIOR WRITTEN PERMISSION.

PDWG.NO: 0395-1

DR. LHC

APPD. JM\_Zheng

CHKD. LYX

NAME: TYPE-C 16P 防水母座 直立式 四脚插 H=7.61 端子DIP IPX8

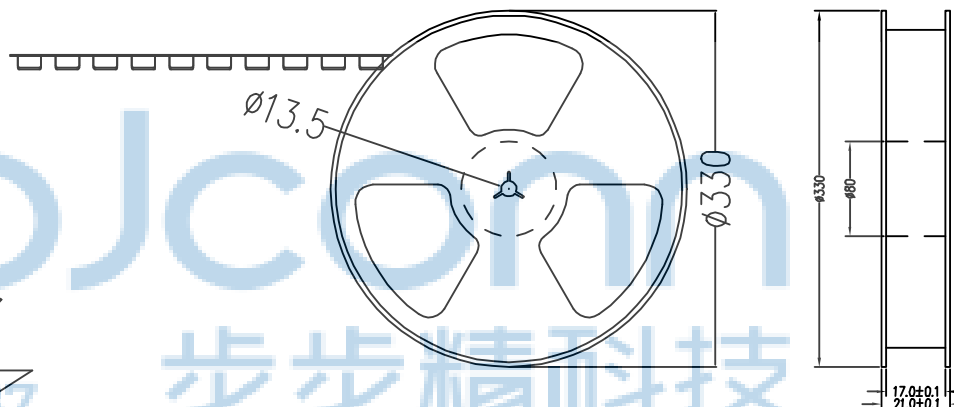
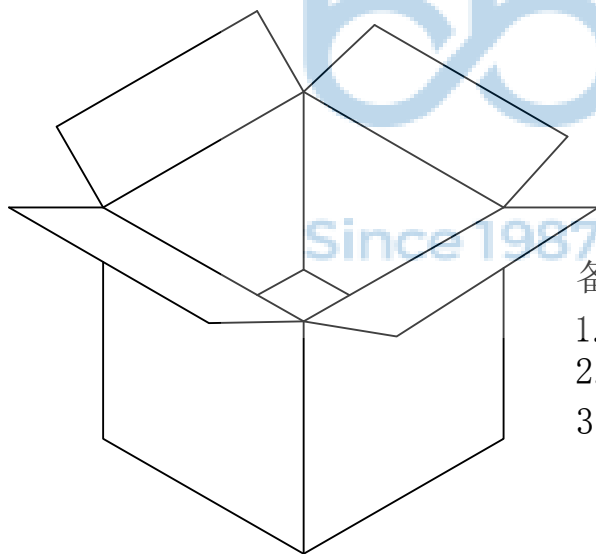
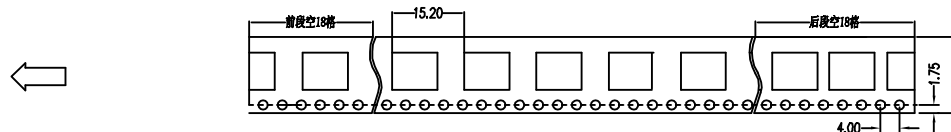
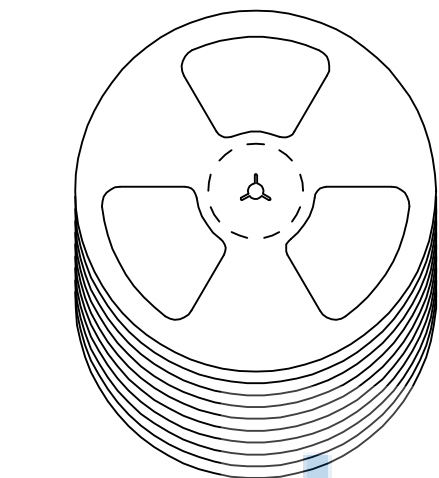
PJ. NO.: 126-225-160001-J2G

SIZE: A4 DRW NO.:

FINISH: SEE NOTES MAT'L.: SEE NOTES

SCALE: N/A REV.: A0 UNIT: mm PAGE: 1/2

**深圳市步步精科技有限公司**



备注:

1. 包装数量: 1000/PCS/卷, 10卷/箱。
2. 包装袋长度: 每卷前后各空10-20个空格, 中间包装。
3. 材质:  
载体: 聚丙烯 (PS), 阻抗 $10^{6-9} \Omega$   
上带: 聚乙烯 (PET), 阻抗 $10^{6-11} \Omega$   
卷盘: 聚苯乙烯。

纸箱规格: 345\*345\*350MM

THIS DOCUMENT IS THE SOLE PROPERTY OF BBJconn Technology Co.,Ltd. Corporation AND SHOULD NOT BE USED IN WHOLE OR IN PART WITHOUT PRIOR WRITTEN PERMISSION.		深圳市步步精科技有限公司 .X: ±0.38    .X': ±3' .XX: ±0.25    .X'': ±2' .XXX: ±0.13    .X''': ±1'		NAME: TYPE-C 16P 防水母座 直立式 四脚插 H=7.61 端子DIP IPX8	
APPD.	JM_Zheng	PJ. NO.: 126-225-160001-J2G SIZE: A4   DRW NO.:		FINISH: SEE NOTES   MAT'L.: SEE NOTES	
CHKD.	LYX	SCALE: N/A		REV.: A0	UNIT: mm
PDWG.NO:	0395-1	DR.	LHC	PAGE: 2/2	