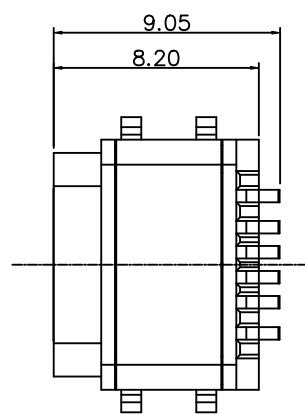
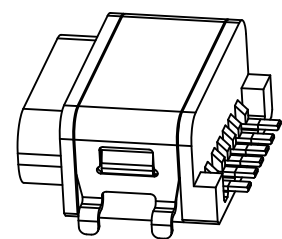
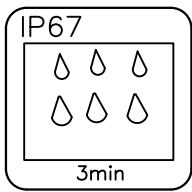


REV.	ECN NO	CONTENT	DATE	ENGINEER
A0		Initial release	/	TSP

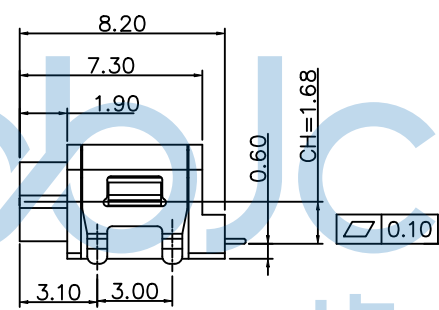
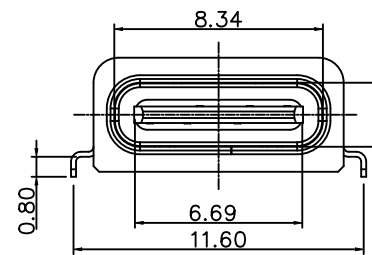
A  
B  
C  
D  
E



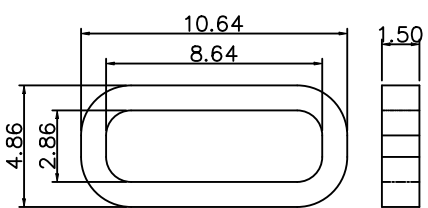
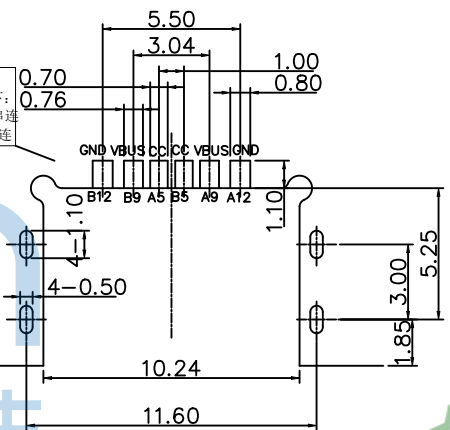
结构设计注意:  
成品使用时, 如有洗面奶泡沫、牙膏、洗手液、脏污液体, 请在TYPE-C口外面再设计一层外壳, 保护TYPE-C母座与公头连接的金手指不会被脏污覆盖。



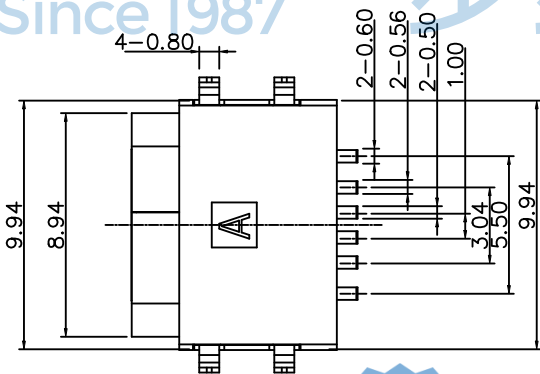
- SPECIFICATIONS:
- ELECTRICAL CHARACTERISTICS:
    - RATING: 3A;
    - CONTACT RESISTANCE: 30 mΩ MAX.(INITIAL);
    - DIELECTRIC WITHSTANDING: 100V AC MIN.;
    - INSULATION RESISTANCE: 100MΩ MIN.;
  - DURABILITY: 10,000 CYCLES MIN.;
  - INSERTION FORCE: 5-20N;
  - EXTRACTION FORCE: 8-20N;
  - WATER PROOFNESS: THIS PRODUCT IS BASED ON IPX7.
  - PLUG INTERFACE DIMENSIONS CONFORM TO USB2.0 SPEC.
  - PACKAGING: TAPE & REEL.



电路设计时注意:  
需将相同功能脚位连接, 如下:  
B12和A12都是GND功能就要串连  
B9和A9都是VBUS功能就要串连



建议胶圈尺寸



A5	CC1	B12	GND
A9	VBUS	B9	VBUS
A12	GND	B5	CC2
PIN	SIGNAL NAME	PIN	SIGNAL NAME



3	Shell	1	SUS304R-1/2H Ni Plating T=0.30mm	
2	Contact	6	Phosphor bronze C5191R-EH Au/Ni Plating T=0.20mm	
1	Housing	1	PA10T (G.F30%)	
ITEM	PART NAME	Q' TY	FINISH	NOTE

THIS DOCUMENT IS THE SOLE PROPERTY OF **BBJconn Technology Co., Ltd.** 深圳市步步精科技有限公司  
Corporation AND SHOULD NOT BE USED IN WHOLE OR IN PART WITHOUT PRIOR WRITTEN PERMISSION.

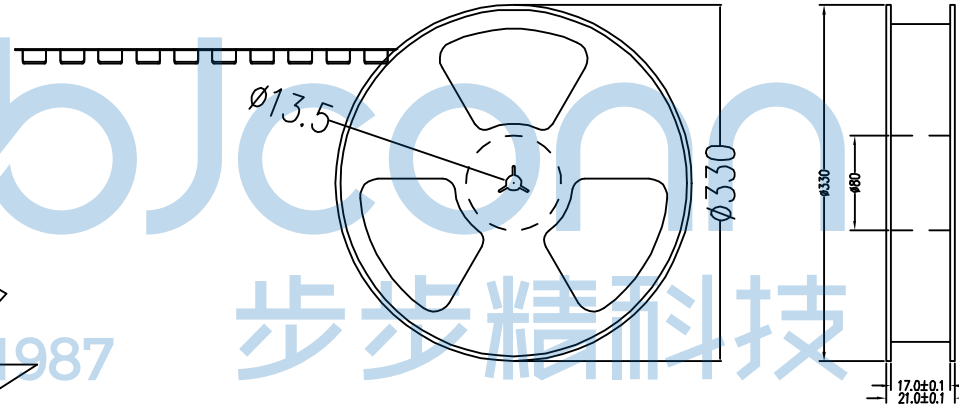
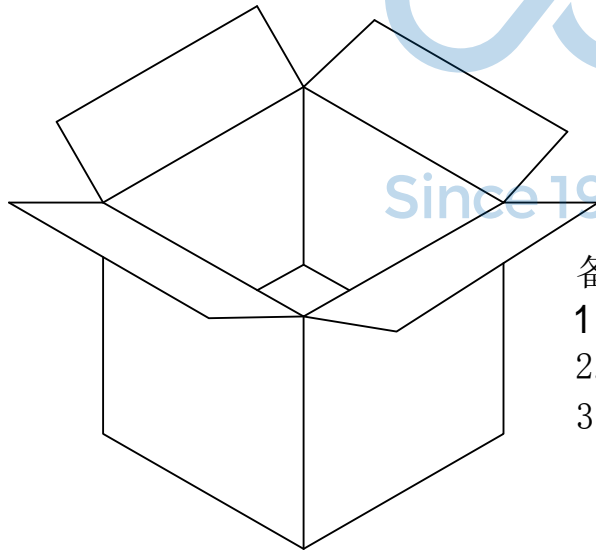
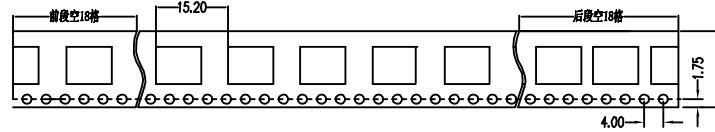
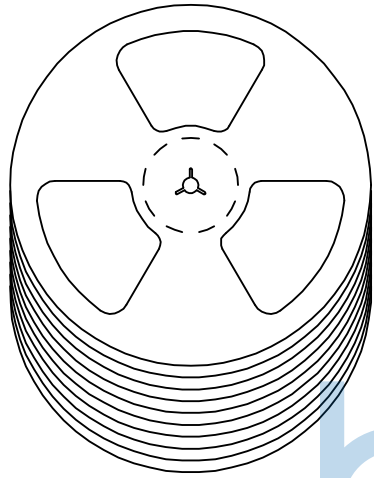
NAME: TYPE-C 6P 防水母座 SMT 板上四脚插 沉板0.60 L=8.20 CH=1.68 IPX7 方形防水圈 编带

APPD. JM\_Zheng  
CHKD. LYX  
DR. TSP

PJ. NO.: 126-221-060002-N6G  
SIZE: A4 DRW NO.:  
FINISH: SEE NOTES MAT'L.: SEE NOTES  
SCALE: N/A REV.: A0 UNIT: mm PAGE: 1/2

E

REV.	ECN NO	CONTENT	DATE	ENGINEER
A0		Initial release	/	TSP



备注:

1. 包装数量：700/PCS/卷，10卷/箱
2. 包装袋长度：每卷前后各空10-20个空格，中间包装。
3. 材质：  
载体：聚丙烯（PS），  
上带：聚乙烯（PET），  
卷盘：聚苯乙烯。

纸箱规格：345\*345\*350MM

THIS DOCUMENT IS THE SOLE PROPERTY OF BBJconn Technology Co.,Ltd. Corporation AND SHOULD NOT BE USED IN WHOLE OR IN PART WITHOUT PRIOR WRITTEN PERMISSION.		深圳市步步精科技有限公司	
.X: ±0.38 .XX: ±0.25 .XXX: ±0.13		X': ±3' X'': ±2' X'X': ±1'	
APPD. JM_Zheng		NAME: TYPE-C 6P 防水母座 SMT 板上四脚插 沉板0.60 L=8.20 CH=1.68 1PX7 方形防水圈 编带	
CHKD. LYX		PJ. NO.: 126-221-060002-N6G	
DR. TSP		SIZE: A4   DRW NO.:	
PDWG.NO: 0514-1		FINISH: SEE NOTES   MAT'L.: SEE NOTES	
		SCALE: N/A   REV.: A0   UNIT: mm   PAGE: 2/2	