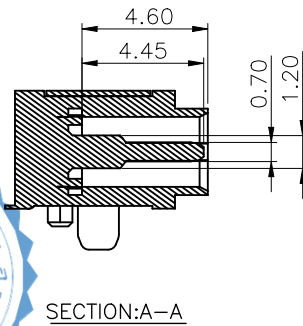
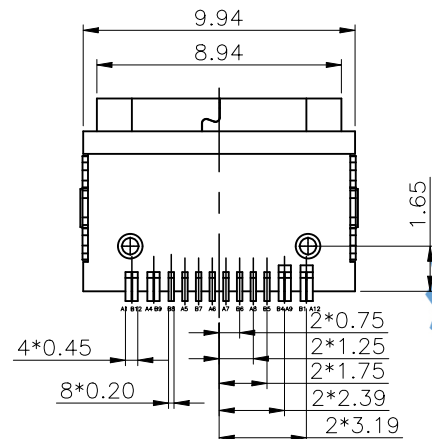
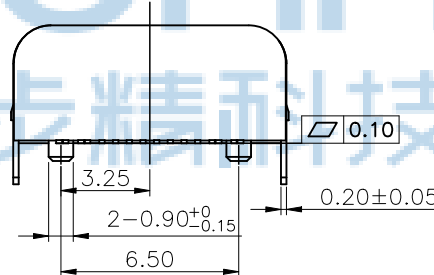
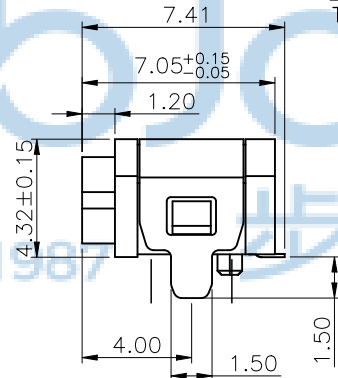
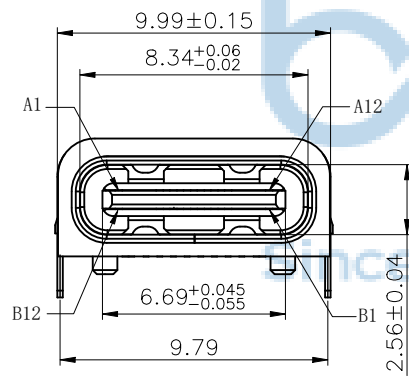


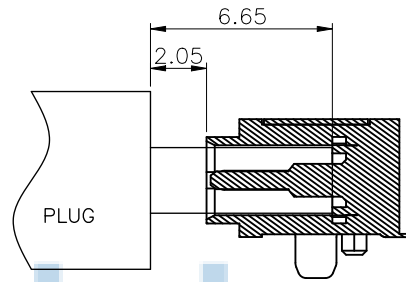
RECOMMENDED P.C.B. LAYOUT  
TOLERANCE UNSPECIFIED ±0.05mm



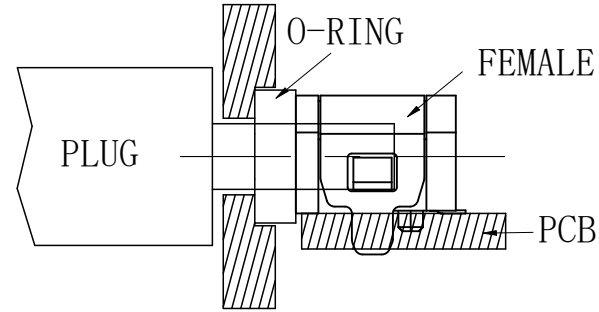
REV	ECN NO	CONTENT	DATE	ENGINEER
A0		INITIAL RELEASE	/	SGF

- NOTE:
- MATERIAL SPECIFICATION:
    - HOUSING: HIGH TEMPERATURE RESISTANT PLASTIC,UL94 V-0.
    - COVER: STAINLESS STEEL.
    - CONTACTS: COPPER ALLOY
    - MID PLATE: STAINLESS STEEL
    - SHELL: STAINLESS STEEL
    - O-RING: SILICONE RUBBER,BLACK
  - PLATING SPECIFICATION:
    - CONTACTS:
      - Ni 50u" MIN. UNDER PLATED OVER ALL.  
SEE TABLE 1 ON THE FUNCTIONAL AREA OF CONTACT.  
SEE TABLE 1 ON THE SOLDER AREA OF CONTACT.
    - SHELL:
      - Ni 30u" MIN. UNDER PLATED OVER ALL.
    - COVER:
      - Ni 30u" MIN. UNDER PLATED OVER ALL.
    - MID PLATE:
      - CLEAR ONLY.
  - MECHANICAL PERFORMANCE,
    - INSERTION FORCE: 5~20N.
    - REMOVAL FORCE: 8~20N.
    - DURABILITY: 10000 CYCLES.
  - ELECTRICAL PERFORMANCE,
    - CURRENT RATING:5.0A  
VOLTAGE RATING:5.0V
    - LLCR:
      - VBUS & GND PINS AND OTHER PINS: 40mΩ /PIN MAX.  
SHIELD: 50mΩ/MAX.  
LLCR MAX. CHANGE OF ALL PINS: 10mΩ.
      - INSULATION RESISTANCE: 100MΩ MIN
      - DIELECTRIC WITHSTAND VOLTAGE,AC 100V FOR 1 MINUTE.
  - ENVIRONMENTAL PERFORMANCE:
    - OPERATING TEMPERATURE: -30°C ~+85°C .
  - IR REFLOW:
    - THE PEAK TEMPERATURE ON THE BOARD SHALL BE MAINTAINED FOR 10 SECONDS AT 260°C.
  - WATER PROOFNESS:THISPRODUCTIS BASED ON IPX6.

THIS DOCUMENT IS THE SOLE PROPERTY OF BBJconn Technology Co.,Ltd. Corporation AND SHOULD NOT BE USED IN WHOLE PRIOR WRITTEN PERMISSION.		深圳市步步精科技有限公司 NAME:TYPE-C 16P 防水母座 板上两脚插 端子SMT 带中夹片 带柱 L=7.05 IPX6 带防水圈 编带 APPD JM_Zheng CHKD LYX DR SGF	
.X: ±0.38 X': ±3' .XX: ±0.25 .X': ±2' .XXX: ±0.13 .XX': ±1'		PJ NO: 126-221-160009-J8G SIZE:A4 DRW NO: FINISH:SEE NOTES MAT'L:SEE NOTES SCALE:N/A REV:A0 UNIT:mm PAGE:1/3	
PDWG NO: 0338-1			



AFTER MATING

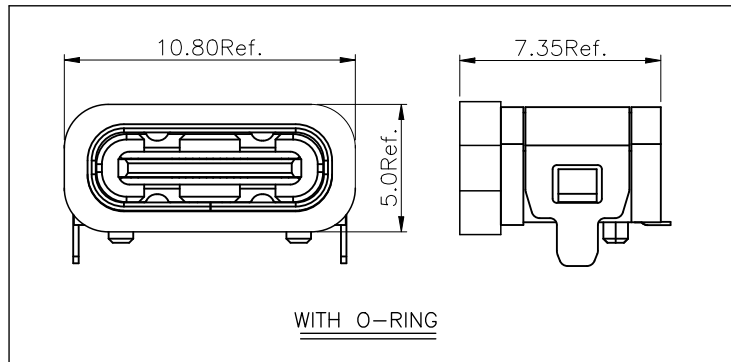
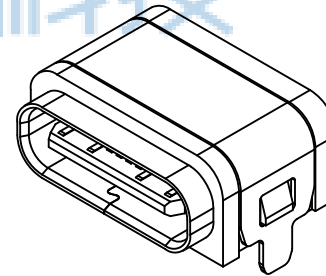



组装面板防水示意图



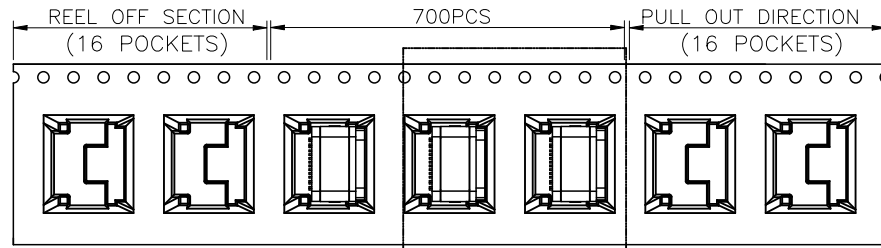
USB TYPE-C PIN ASSIGNMENTS

A1	GND	B12	GND
A4	VBUS	B9	VBUS
A5	CC1	B8	SBU2
A6	DP1	B7	DN2
A7	DN1	B6	DP2
A8	SBU1	B5	CC2
A9	VBUS	B4	VBUS
A12	GND	B1	GND
PIN	SIGNAL NAME	PIN	SIGNAL NAME

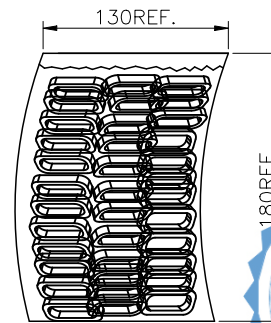
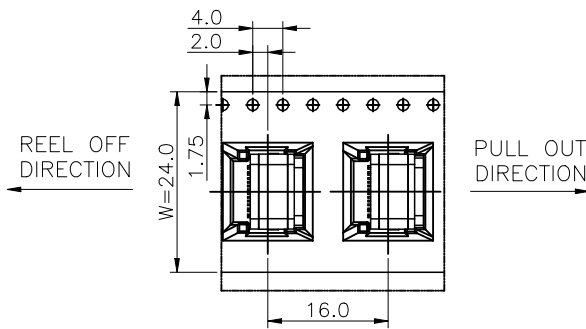
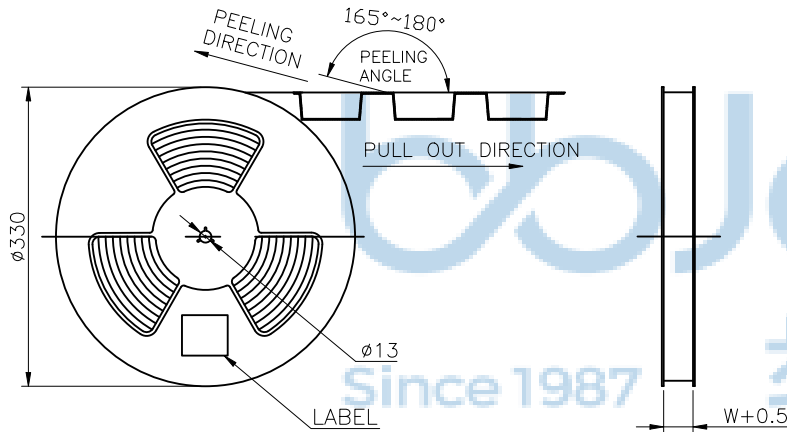


THIS DOCUMENT IS THE SOLE PROPERTY OF BBJconn Technology Co.,Ltd. Corporation AND SHOULD NOT BE USED IN WHOLE PRIOR WRITTEN PERMISSION.		 <b>深圳市步步精科技有限公司</b>	
.X: ±0.38 .XX: ±0.25 .XXX: ±0.13		X': ±3" X'': ±2" XX': ±1"	
NAME: TYPE-C 16P 防水母座 板上两脚插 端子SMT 带中夹片 带柱 L=7.05 IPX6 带防水圈 编带		PJ NO: 126-221-160009-J8G SIZE:A4   DRW NO:	
APPD	JM_Zheng	FINISH:SEE NOTES   MAT'L:SEE NOTES	
CHKD	LYX	SCALE:N/A   REV:A0   UNIT:mm   PAGE:2/3	
PDWG NO: 0338-1	DR	SGF	

REV	ECN NO	CONTENT	DATE	ENGINEER
AO		INITIAL RELEASE	/	SGF



SEE DETAIL X



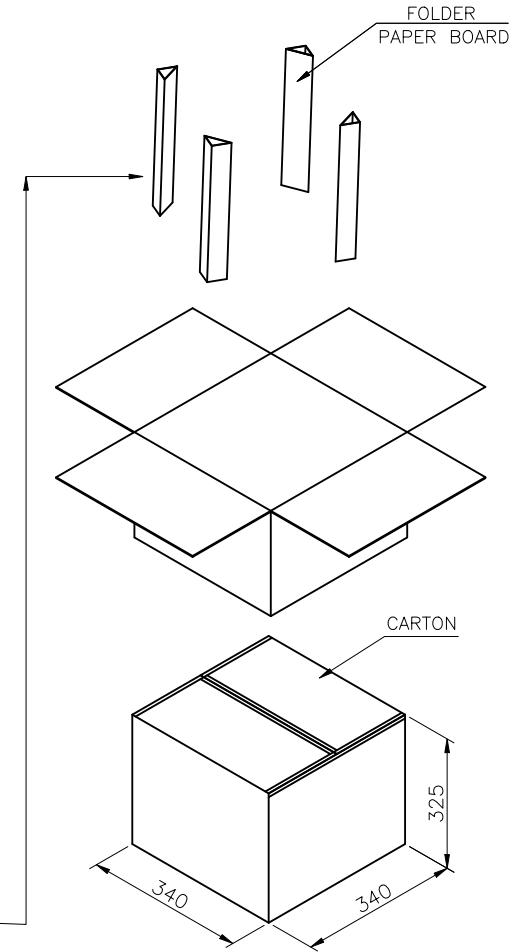
PAPER BOARD

REEL AND TAPE

REEL AND TAPE

PAPER BOARD

O-RING



	REEL	CARTON
CONNECTOR (PCS)	700	7000



THIS DOCUMENT IS THE SOLE PROPERTY OF BBJconn Technology Co.,Ltd. Corporation AND SHOULD NOT BE USED IN WHOLE PRIOR WRITTEN PERMISSION.

PDWG NO: 0338-1

**深圳市步步精科技有限公司**

.X: ±0.38 X': ±3'  
.XX: ±0.25 .X': ±2'  
.XXX: ±0.13 .XX': ±1'

NAME: TYPE-C 16P 防水母座 板上两脚插 端子SMT 带中夹片 带柱 L=7.05 IPX6 带防水圈 编带

APPD JM\_Zheng

PJ NO: 126-221-160009-J8G

CHKD LYX

SIZE:A4 DRW NO:

DR SGF

FINISH:SEE NOTES MAT'L:SEE NOTES

SCALE:N/A REV:AO UNIT:mm PAGE:3/3