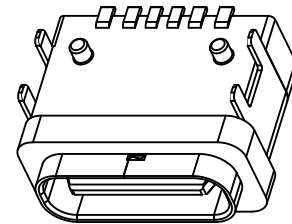
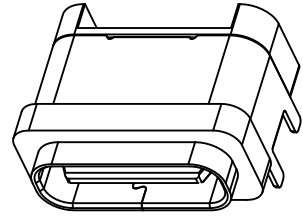
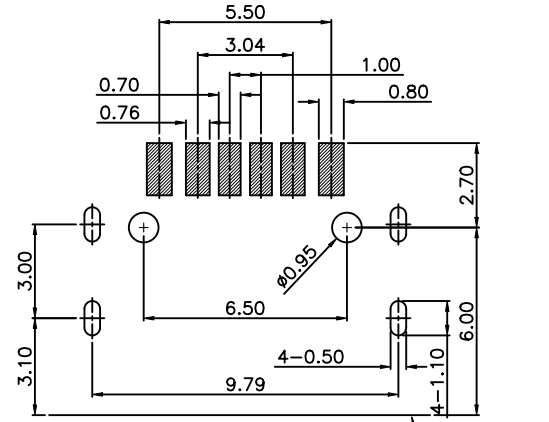
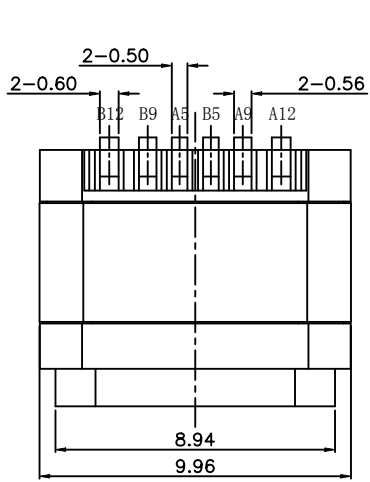
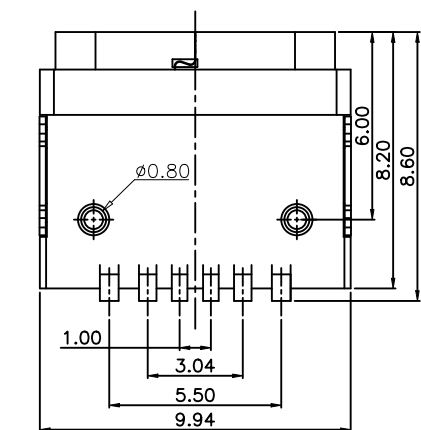
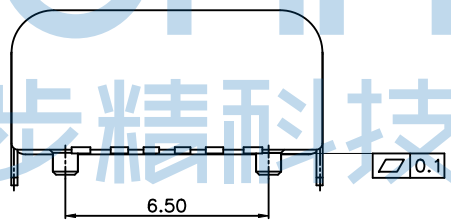
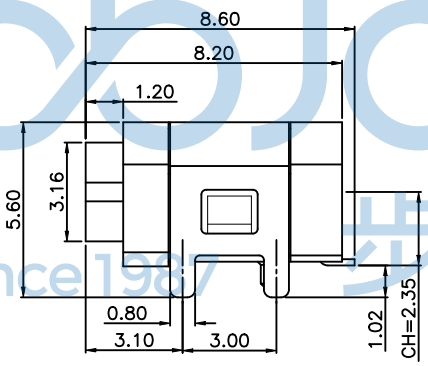
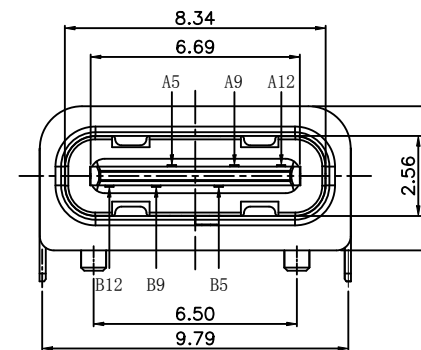


REV.	ECN NO	CONTENT	DATE	ENGINEER
A0		Initial release	/	TSP

NOTES:  
SPECIFICATION:  
1. CURRENT RATING: 3.0A MAX  
2. VOLTAGE: 100 VAC  
3. TEMPERATURE RANGE: -30° C~+85° C  
4. CONTACT RESISTANCE: 40 MILLIONHM MAX  
5. INSULATION RESISTANCE: 100 MEGOHMS MIN  
6. LNSERTION FORCE: 5N~20N  
7. UNMATING FORCE: 8N~20N  
8. DURABILITY: 10000 CYCLES  
9. WATER PROOFNESS: THIS PRODUCT IS BASED ON IPX7.



RECOMMEND P.C.B LAYOUT (COMPONENT SIDE)  
TOLERANCE FOR PCB LAYOUT IS ±0.05



A5	CC1	B12	GND
A9	VBUS	B9	VBUS
A12	GND	B5	CC2
PIN	SIGNAL NAME	PIN	SIGNAL NAME

黑胶 LCP-V0	SUS201 镀镍50u"	SUS201 T=0.15mm	LCP UL94 V0, BK	C2680-EH, T=0.2, 半金1u"
规格	外壳	中夹片	胶体	端子



THIS DOCUMENT IS THE SOLE PROPERTY OF BBJconn Technology Co., Ltd. Corporation AND SHOULD NOT BE USED IN WHOLE OR IN PART WITHOUT PRIOR WRITTEN PERMISSION.

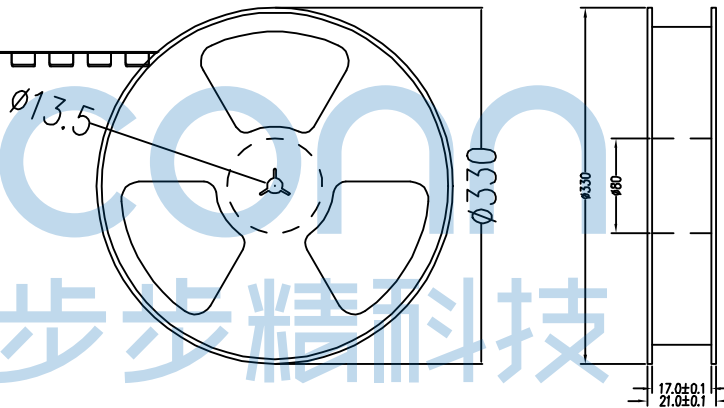
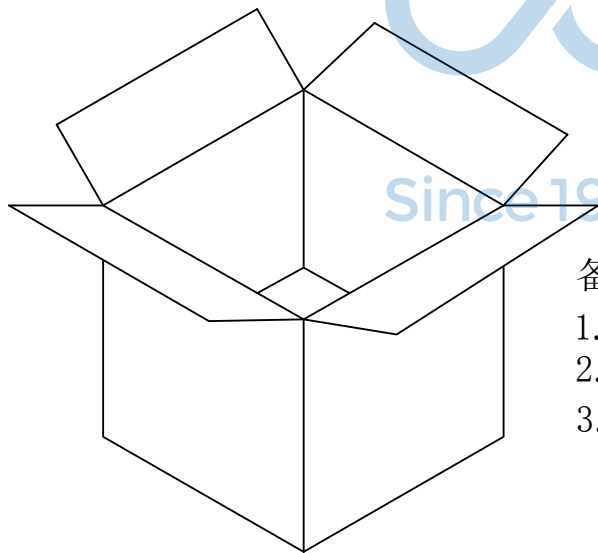
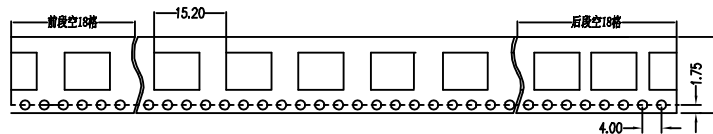
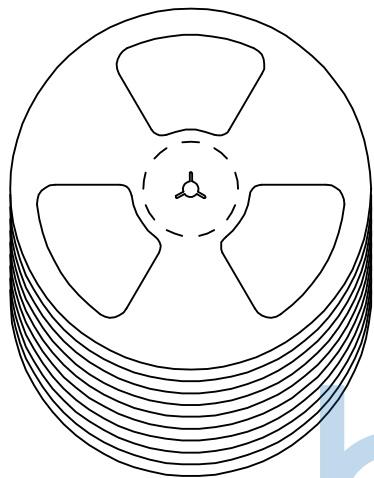
PDWG.NO: 0545-1

**深圳市步步精科技有限公司**

NAME: TYPE-C 6P 防水母座 四脚插 带柱 L=8.20 CH=2.35 端子SMT IPX7 不带防水圈 (点胶)

APPD. JM\_Zheng  
CHKD. LYX  
DR. TSP

PJ. NO.: 126-221-060001-N7G  
SIZE: A4 | DRW NO.:  
FINISH: SEE NOTES | MAT'L.: SEE NOTES  
SCALE: N/A | REV.: A0 | UNIT: mm | PAGE: 1/2



备注:

1. 包装数量: 700/PCS/卷, 10卷/箱。
2. 包装袋长度: 每卷前后各空10-20个空格, 中间包装。
3. 材质:  
载体: 聚丙烯 (PS),  
上带: 聚乙烯 (PET),  
卷盘: 聚苯乙烯。

纸箱规格: 345\*345\*23MM

纸箱规格: 345\*345\*35MM

THIS DOCUMENT IS THE SOLE PROPERTY OF BBJconn Technology Co.,Ltd. Corporation AND SHOULD NOT BE USED IN WHOLE OR IN PART WITHOUT PRIOR WRITTEN PERMISSION.		深圳市步步精科技有限公司	
.X: ±0.38 .XX: ±0.25 .XXX: ±0.13		NAME: TYPE-C 6P 防水母座 四脚插 带柱 L=8.20 CH=2.35 端子SMT IPX7 不带防水圈 (点胶)	
APPD.	JM_Zheng	PJ. NO.: 126-221-060001-N7G	
CHKD.	LYX	SIZE: A4   DRW NO.:	
DR.	TSP	FINISH: SEE NOTES   MAT'L.: SEE NOTES	
PDWG.NO:	0545-1	SCALE: N/A	REV.: A0   UNIT: mm   PAGE: 2/2