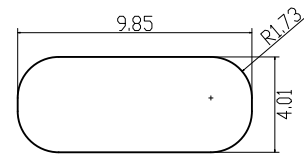
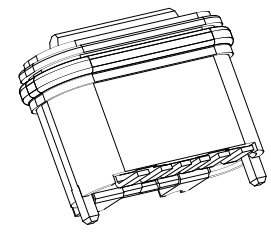
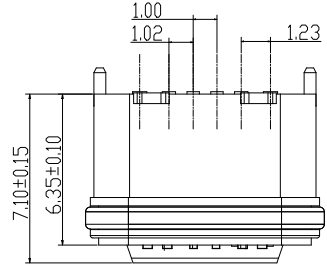


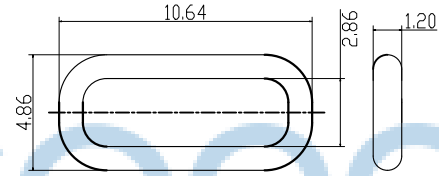
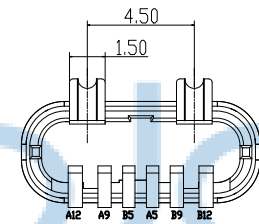
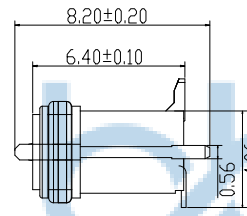
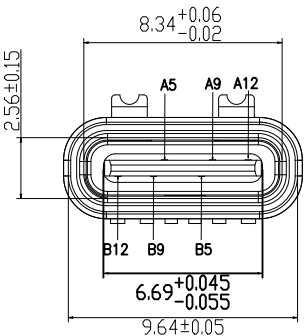
REV.	ECN NO	CONTENT	DATE	ENGINEER
A0				



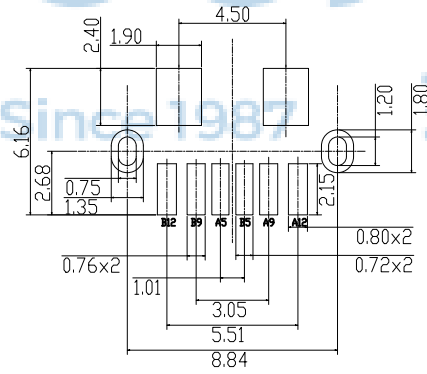
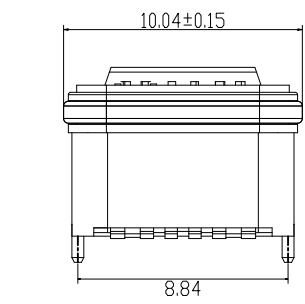
开孔尺寸参考
组装外壳时需要打环保润滑油

NOTE:

- MATERIAL SPECIFICATION:
 - HOUSING: LCP E130i, UL94V-0.
 - CONTACTS: C7025
 - MID PLATE: SUS304
 - FRONT SHELL: P. M
 - CAP: LCP BLACK
 - WATERPROOF RING: SILICONE
- PLATING SPECIFICATION:
 - CONTACTS:
 - Ni 50u" MIN. UNDER PLATED OVER ALL.
 - Au PLATED ON THE FUNCTIONAL AREA OF CONTACT.
 - FRONT SHELL:
 - Ni 120u" MIN. UNDER PLATED OVER ALL.
- MID PLATE: CLEAR ONLY
- MECHANICAL PERFORMANCE:
 - INSERTION FORCE: 0.5~2.0kgf.
 - REMOVAL FORCE: 0.8kgf~2.0kgf.
 - DURABILITY: 10000 CYCLES.
- ELECTRICAL PERFORMANCE:
 - CURRENT RATING: 3.0A
VOLTAGE RATING: 5.0V
 - LLCR:
 - VBUS & GND PINS AND OTHER PINS: 40mΩ/PIN MAX.
 - SHIELD: 50mΩ/MAX.
 - INSULATION RESISTANCE: 100MΩ MIN
 - DIELECTRIC WITHSTAND VOLTAGE, AC 100V FOR 1 MINUTE.
- ENVIRONMENTAL PERFORMANCE:
 - OPERATING TEMPERATURE: -25° C~+85° C.
 - THE PEAK TEMPERATURE ON THE BOARD SHALL BE MAINTAINED FOR 10 SECONDS AT 260° C.
- WATER PROOFNESS: THIS PRODUCT IS BASED ON IPX7.



胶圈使用尺寸参考图



RECOMMENDED PCB LAYOUT
TOLERANCE: ±0.05(TOP VIEW)



USB TYPE-C PIN ASSIGNMENTS

PIN NUMBER	A1	A2	A3	A4	A5	A6	A7	A8	A9	A10	A11	A12
SIGNAL NAME					CC1				Vbus			GND
PIN NUMBER	B12	B11	B10	B9	B8	B7	B6	B5	B4	B3	B2	B1
SIGNAL NAME	GND			Vbus				CC2				

THIS DOCUMENT IS THE SOLE PROPERTY OF **bbJconn Technology Co., Ltd.** Corporation AND SHOULD NOT BE USED IN WHOLE OR IN PART WITHOUT PRIOR WRITTEN PERMISSION.

PDWG. NO: 0482-1 DR. TSP

深圳市步步精科技有限公司

NAME: TYPE-C 6P 防水母座 直立式 H=6.40 舌片外漏0.75 两脚插两脚贴 端子SMT IPX7 常规款

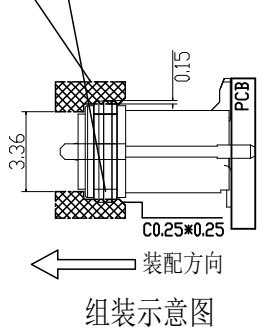
APPD. JM_Zheng

CHKD. LYX

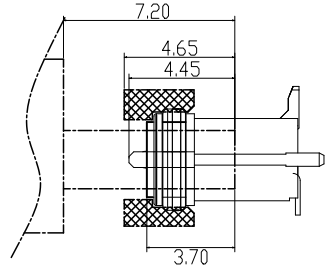
FINISH: SEE NOTES MAT'L.: SEE NOTES

SCALE: N/A REV.: A0 UNIT: mm PAGE: 1/2

机壳与胶圈干涉建议单边0.15最小，胶圈尺寸跑上限。



组装示意图



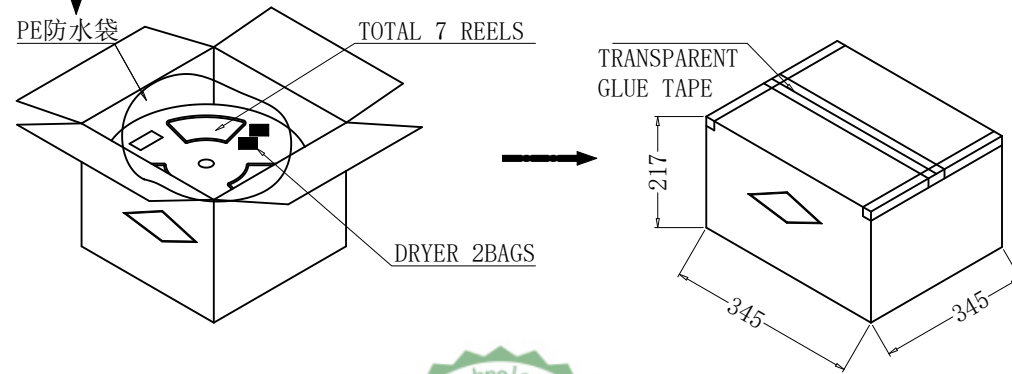
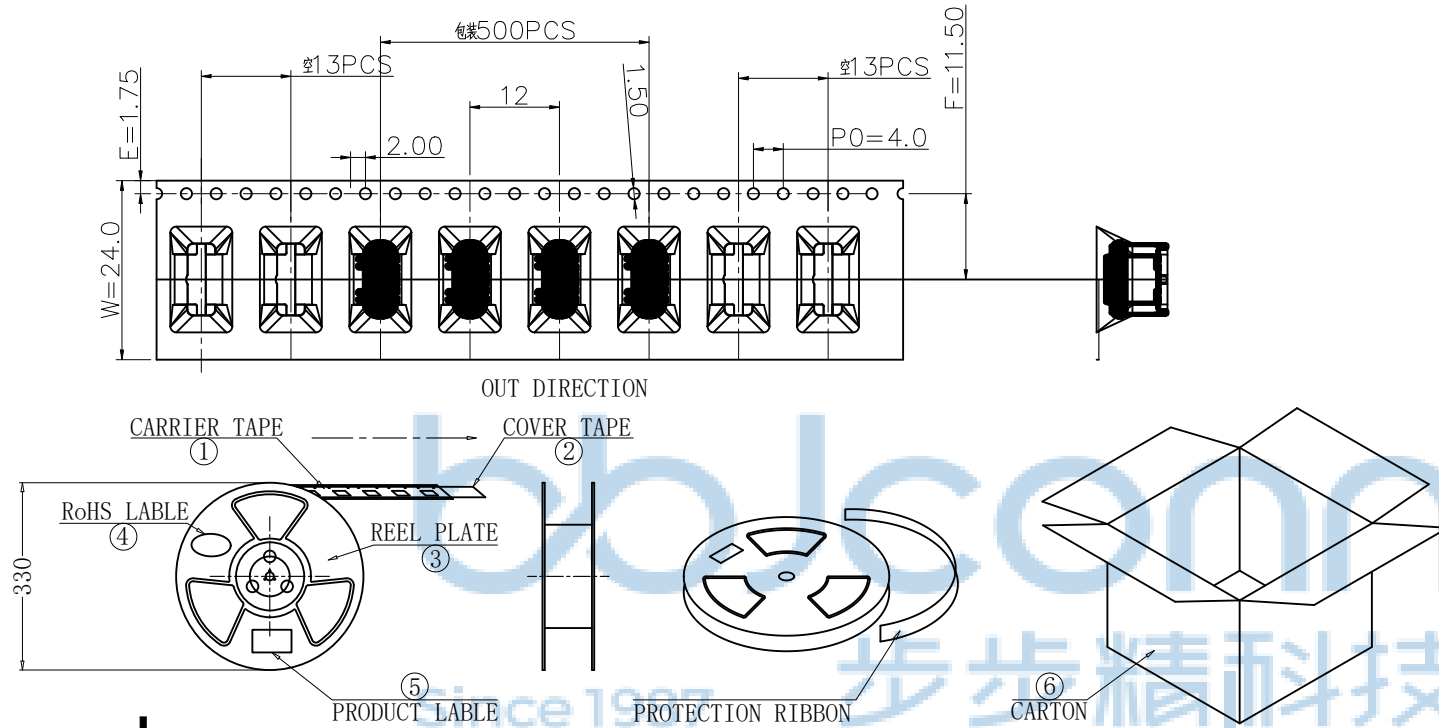
plug插入深度参考图



REV.	ECN NO.	CONTENT	DATE	ENGINEER
A0				

说明:

1. 每卷前后各空13PCS, 尾部用美纹胶纸封住;
2. 将产品放满盘后, 再卷一圈保护带, 用美纹胶纸将其封住, 并贴上1Pcs物料标签;
3. 每7卷盘一叠共3500Pcs并装入1个外箱内;
4. 在搬运过程中要轻拿轻放;
5. 在运输中不可堆放过多(1.8M最高), 不可重压;
6. 跌落测试条件:
成品箱从1.2米高度自由落体(一角三棱六面):
a. 产品不可跑出下带凹槽;
b. 产品不可有摔伤, 变形;
c. 内包装材料不可严重破损.



NO.	NAME	SPEC	Q' TY
⑦	TYPE C RECEPTACLE		3500PCS/CARTON
①	CARRIER TAPE	W=24mm, T=0.40mm	500PCS/PLATE
②	COVER TAPE	W=21.3mm	7PLATES/CARTON
③	REEL PLATE	Ø330*100*24.4mm	7PCS/CARTON
④	RoHS LABEL		7PCS/CARTON
⑤	PRODUCT LABER		7PCS/CARTON
⑥	CARTON	345*345*217mm	1PCS/PACKAGE

THIS DOCUMENT IS THE SOLE PROPERTY OF BBJconn Technology Co.,Ltd. Corporation AND SHOULD NOT BE USED IN WHOLE OR IN PART WITHOUT PRIOR WRITTEN PERMISSION.
PDWG.NO: 0482-1

深圳市步步精科技有限公司

NAME: TYPE-C 6P 防水母座 直立式 H=6.40 舌片外漏0.75 两脚插两脚贴 端子SMT IPX7 常规款

PJ. NO.: UC.01.63-1W-0006
SIZE: A4 DRW NO.:

FINISH: SEE NOTES MAT'L: SEE NOTES
SCALE: N/A REV.: A0 UNIT: mm PAGE: 2/2

APPD. JM_Zheng
CHKD. LYX
DR. TSP